

Small Type I Enclosures



Application

Designed for use in control and instrumentation applications in areas which do not require oiltight and dusttight specifications.

Features

- Flush slotted latch operated with a screwdriver. Optional latches available
- Weldnuts provided for mounting optional panels

Construction

- 16 gauge steel
- Butt hinges
- Mounting holes on back of enclosure

Finish

ANSI 61 gray polyester powder paint finish inside and out over phosphatized surfaces. Optional solid panels are white and optional perforated panels are gray.

Industry Standards

UL 50, File No. E27567, Type I
NEMA/EEMAC Type I
CSA, File No. 42184, Type I
IEC 60529, IP30

Accessories

See also Accessories chapter.

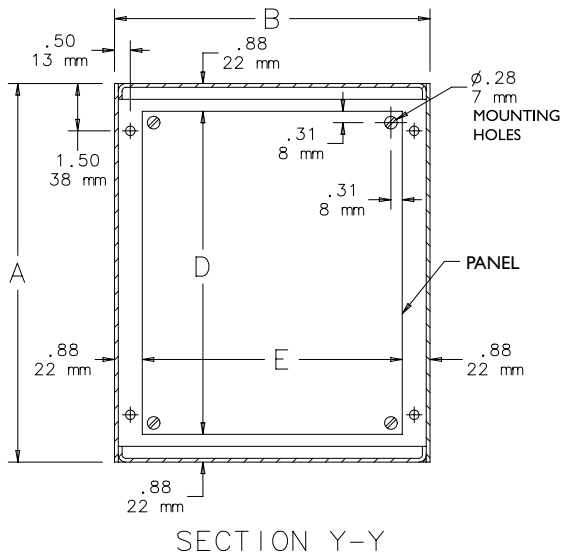
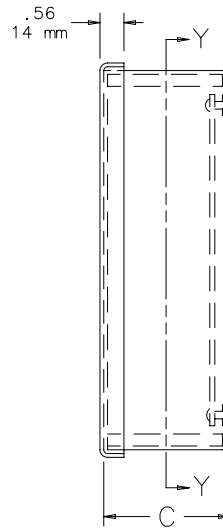
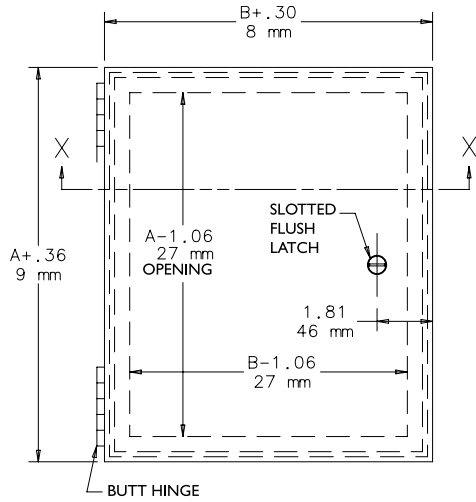
Cylinder Lock Kit (AL12AR)
Grounding Device
Padlock Kit(APLKJIC)
Panels
"T" Handle Latch Kit (AL7A)
Touch-Up Paint (ATPPY6I)
Window Kit

Standard Sizes Small Type I Enclosures

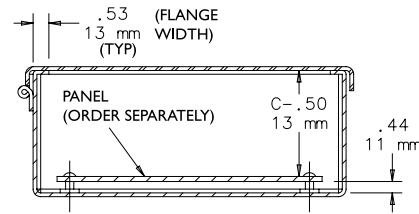
Catalog Number	A x B x C in. (mm)	Panel Catalog Number	Perforated Panel Catalog Number	Panel Size D x E (in.)	Panel Size D x E (mm)
A6N64	6.00 x 6.00 x 4.00 (152 x 152 x 102)	A6N6P	A6N6PP	4.25 x 4.25	108 x 108
A8N64	8.00 x 6.00 x 4.00 (203 x 152 x 102)	A8N6P	A8N6PP	6.25 x 4.25	159 x 108
A8N84	8.00 x 8.00 x 4.00 (203 x 203 x 102)	A8N8P	A8N8PP	6.25 x 6.25	159 x 159
A10N84	10.00 x 8.00 x 4.00 (254 x 203 x 102)	A10N8P	A10N8PP	8.25 x 6.25	210 x 159
A10N104	10.00 x 10.00 x 4.00 (254 x 254 x 102)	A10N10P	A10N10PP	8.25 x 8.25	210 x 210
A12N104	12.00 x 10.00 x 4.00 (305 x 254 x 102)	A12N10P	A12N10PP	10.25 x 8.25	260 x 210
A12N124	12.00 x 12.00 x 4.00 (305 x 305 x 102)	A12N12P	A12N12PP	10.25 x 10.25	260 x 260
A14N124	14.00 x 12.00 x 4.00 (356 x 305 x 102)	A14N12P	A14N12PP	12.25 x 10.25	311 x 260
A8N66	8.00 x 6.00 x 6.00 (203 x 152 x 152)	A8N6P	A8N6PP	6.25 x 4.25	159 x 108
A8N86	8.00 x 8.00 x 6.00 (203 x 203 x 152)	A8N8P	A8N8PP	6.25 x 6.25	159 x 159
A10N86	10.00 x 8.00 x 6.00 (254 x 203 x 152)	A10N8P	A10N8PP	8.25 x 6.25	210 x 159
A10N106	10.00 x 10.00 x 6.00 (254 x 254 x 152)	A10N10P	A10N10PP	8.25 x 8.25	210 x 210
A12N106	12.00 x 10.00 x 6.00 (305 x 254 x 152)	A12N10P	A12N10PP	10.25 x 8.25	260 x 210
A12N126	12.00 x 12.00 x 6.00 (305 x 305 x 152)	A12N12P	A12N12PP	10.25 x 10.25	260 x 260
A14N126	14.00 x 12.00 x 6.00 (356 x 305 x 152)	A14N12P	A14N12PP	12.25 x 10.25	311 x 260
A16N126	16.00 x 12.00 x 6.00 (406 x 305 x 152)	A16N12P	A16N12PP	14.25 x 10.25	362 x 260
A20N126	20.00 x 12.00 x 6.00 (508 x 305 x 152)	A20N12P	A20N12PP	18.25 x 10.25	464 x 260
A12N128	12.00 x 12.00 x 8.00 (305 x 305 x 203)	A12N12P	A12N12PP	10.25 x 10.25	260 x 260
A14N128	14.00 x 12.00 x 8.00 (356 x 305 x 203)	A14N12P	A14N12PP	12.25 x 10.25	311 x 260

Purchase panels separately.

Small Type I Enclosures

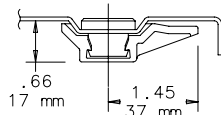
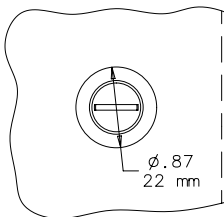


NOTE: 1. Panels are 14 gauge steel.
2. Panel screws have #10-32 threads.

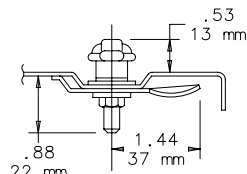
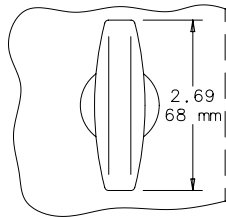


SECTION X-X

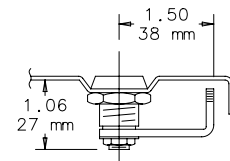
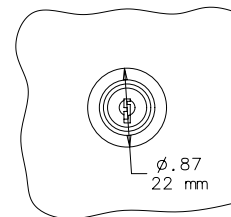
Optional Latches



**Standard Slotted
Flush Latch**



**"T" Handle Latch Kit
AL7A**



**Cylinder Lock Kit
AL12AR**

C2572-C

**Commercial Boxes
and Enclosures**