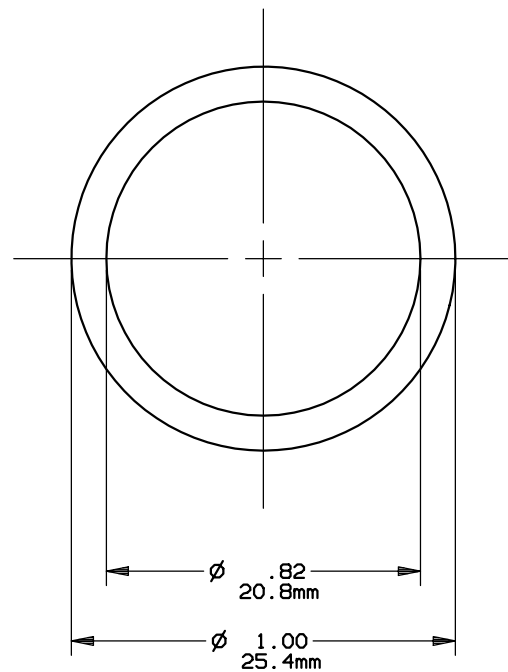
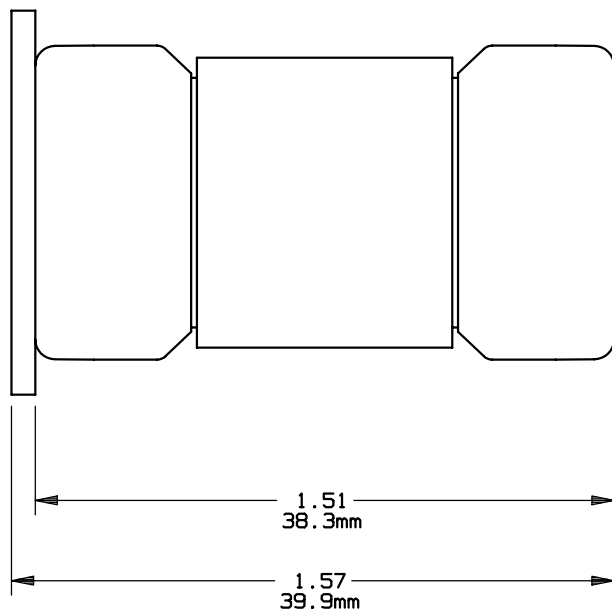


REV	DATE	ECO	DESCRIPTION	BY	CK	APP
B	2-25-08	NA	UPDATED OUTLINE FORMAT AND REVISED DIMENSIONS	LDB	NA	(SEE ECO)



**Ferraz Shawmut**

FERRAZ SHAWMUT INC.  
374 MERRIMAC STREET  
NEWBURYPORT, MA 01950

PRODUCT MANAGER

DESIGN ENGINEER

SIGN:

SIGN:

DATE:

DATE:

A6T(35-60)

CLASS T

35-60A

600V

OUTLINE DIMENSIONS  
NOT TO BE USED FOR PRODUCTION

24259