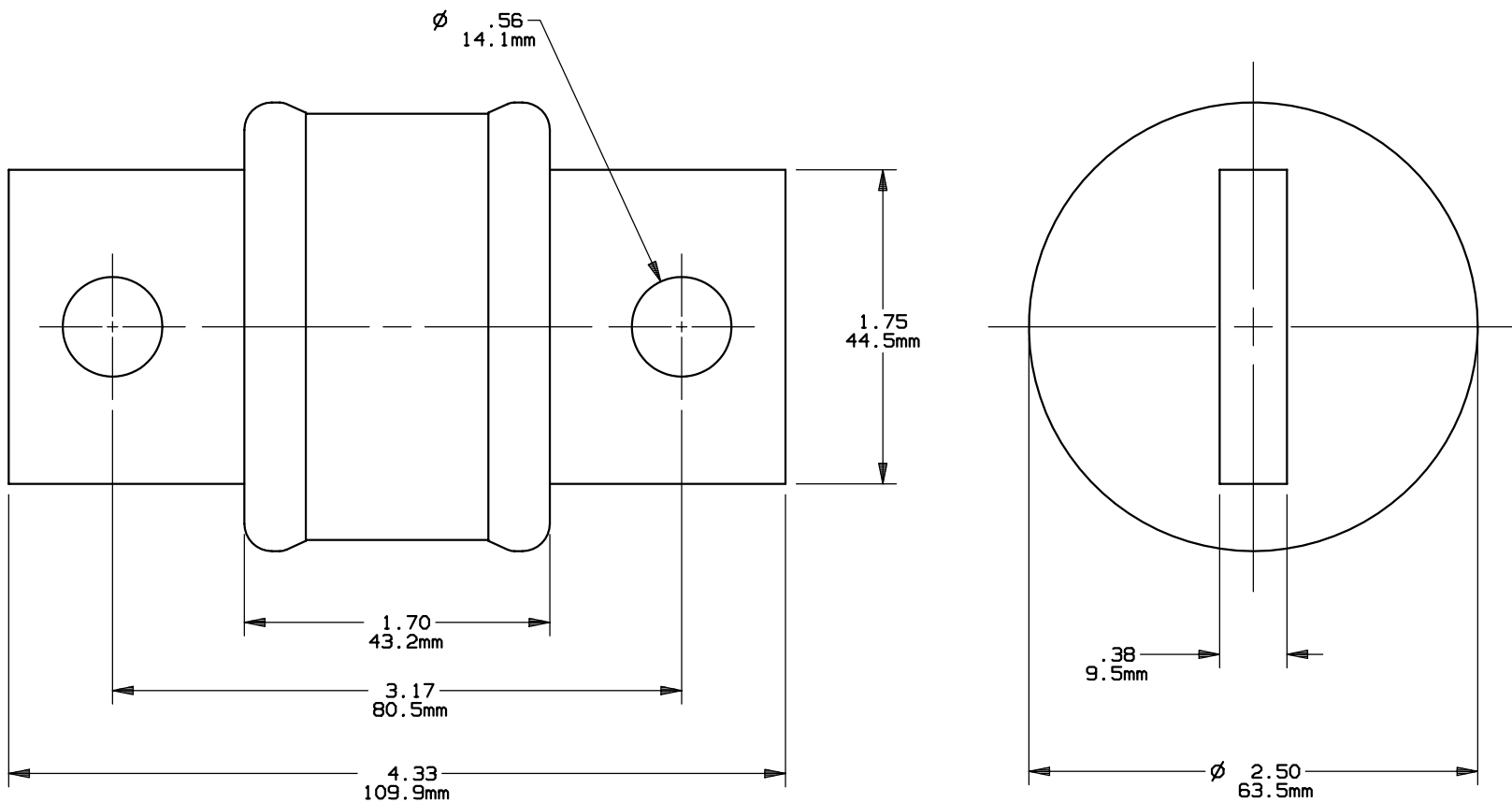


REV	DATE	ECO	DESCRIPTION	BY	CK	APP
B	2-25-08	NA	UPDATED OUTLINE FORMAT AND REVISED DIMENSIONS	LDB	NA	(SEE ECO)



FERRAZ SHAWMUT INC.
374 MERRIMAC STREET
NEWBURYPORT, MA 01950

A6T(700-800)

OUTLINE DIMENSIONS
NOT TO BE USED FOR PRODUCTION

PRODUCT MANAGER

DESIGN ENGINEER

CLASS T

SIGN:

SIGN:

700-800A

600V

DATE:

DATE:

24162