



# SelectTone® Hazardous Location Audible Signaling Device

## Model 300GCX

### DESIGNED FOR USE IN HAZARDOUS LOCATIONS

- Available in 24VAC/DC, 120VAC and 240VAC
- Reliable, solid-state circuitry
- Digital signal amplification
- Fused input and output
- Built-in gain control, adjustable between 0dBA to 110dBA @ 10' (0dBA to 120dBA @ 1m)
- Type 4X enclosure
- External mounting tabs
- Indoor/outdoor use
- UL 1480 and CSFM Approved
- UL and cUL Listed

Federal Signal's Model 300GCX SelectTone® Speaker Amplifier is designed to produce tones, digital voice messages and live public address in harsh environments with high ambient noise levels.

The rugged speaker cone and projector are constructed of spun aluminum. The amplification circuitry, tone module, and gain control are contained in a housing constructed of die-cast aluminum. All surfaces are sealed with powder-coat paint. Dust- and moisture-proof gaskets provide protection from the elements.

The 300GCX is UL Listed for Class I, Division 2, Groups A, B, C and D; Class II, Division 2, Groups F & G, and Class III. It has been tested and approved for use in Type 4X applications.

Internal gain control allows output adjustment from 0dBA to a maximum of 110dBA at 10 feet.

SelectTone Speaker Amplifiers are used individually or as part of a plant-wide emergency notification system. The Model UTM Universal Tone Module, with 32 tones, or the TM33 Custom Tone Module is plugged into a single SelectTone Speaker Amplifier for stand-alone use or into a SelectTone Command Unit for plant-wide signaling.

For plant-wide signaling, a Connector Kit is installed into each SelectTone Speaker Amplifier and wired to a central controller, SelectTone Command Unit or CommCenter® Digital Message Center. Command Units and CommCenters broadcast tones, voice messages, melodies and live public address to an unlimited number of SelectTone Speaker Amplifiers.

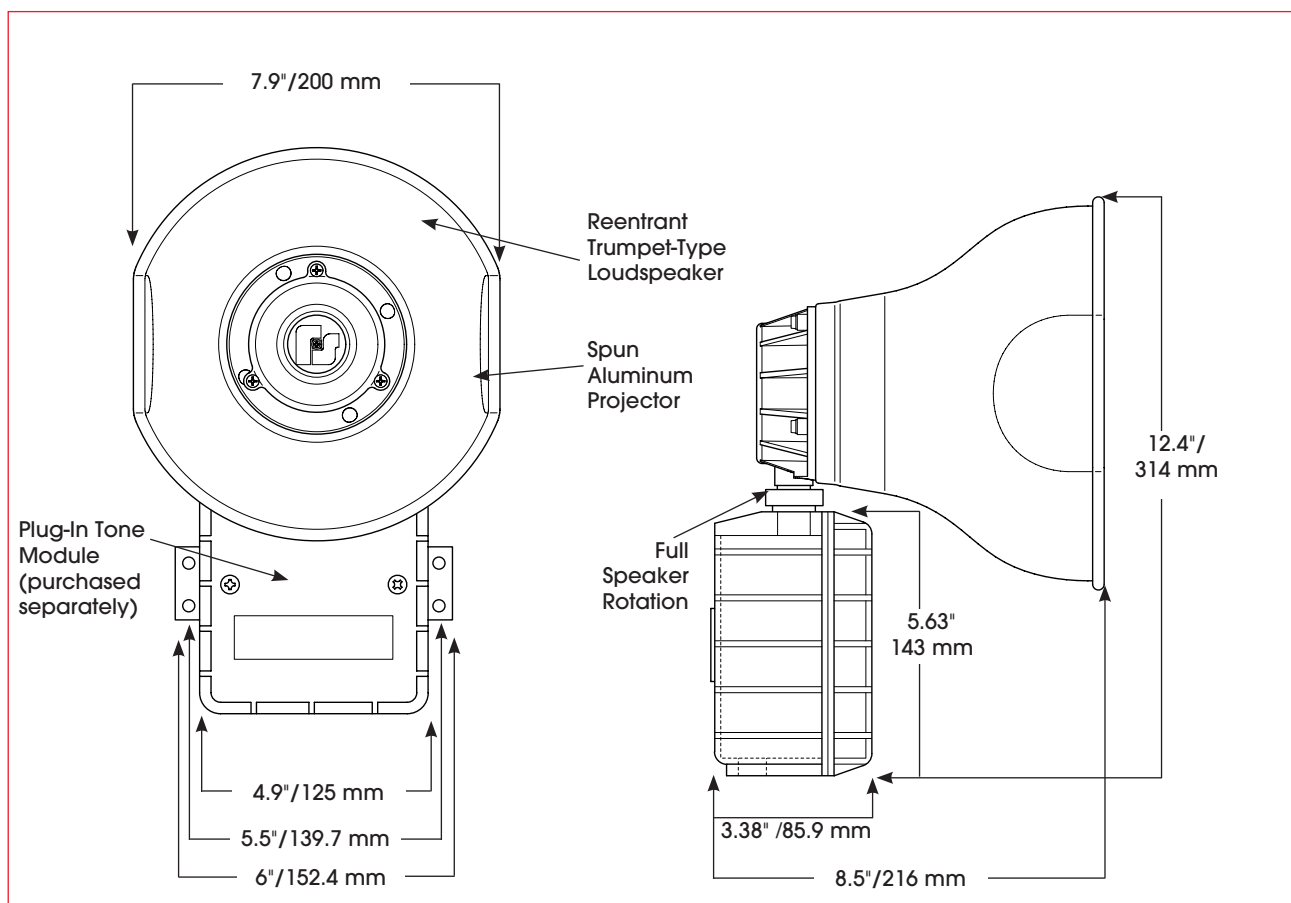
Applications for SelectTone include emergency warning, evacuation, start/dismissal, public address, and process control signaling.

Model	Voltage	Operating Current	Standby Current	Decibels @		T-Code <sup>1</sup>
				10'	1m	
300GCX-024	24VDC	0.67 amps	50 mA	110	120	T2B
300GCX-024	24VAC 50/60Hz	0.90 amps	100 mA	110	120	T2B
300GCX-120	120VAC 50/60Hz	0.20 amps	30 mA	110	120	T2B
300GCX-240	240VAC 50/60Hz	0.10 amps	15 mA	110	120	T2B

<sup>1</sup> T-Code in Class 1 Division 2 A,B,C,D



## HAZARDOUS LOCATION AUDIBLE SIGNALING DEVICE (300GCX)



## SPECIFICATIONS

Operating Temperature:	-67°F to 150°F	-55°C to 66°C
Net Weight:		
24VAC/DC	4.9 lbs.	2.20 kg
120/240VAC	5.9 lbs.	2.70 kg
Shipping Weight:		
24VAC/DC	6.1 lbs.	2.8 kg
120/240VAC	7.1 lbs.	3.2 kg
Height:	12.4"	314.0 mm
Width:	7.9"	200.0 mm
Depth:	8.5"	216.0 mm

## HOW TO ORDER

- Specify model number and voltage
- Specify Tone Module for stand alone operation
  - Universal Tone Module (UTM)
  - Custom Tone Module (TM33)
- Specify Connector Kit for use in systems (Call factory for system design assistance)
  - 25 Vrms Connector Kit (AM25CK)
  - 70 Vrms Connector Kit (AM70CK)

## REPLACEMENT PARTS

<i>Description</i>	<i>Part Number</i>
Amplifier Assembly, 24VAC/DC	K2005502A-04
Transformer, 120VAC	K120857A
Transformer, 240VAC	K120858A
Voice Coil, Series C	K8593035A
Speaker Assembly	K8593082A