



LED

Hazardous Location UniStat™ Status Indicator

Model USIX

MULTICOLOR LED STATUS INDICATOR FOR HAZARDOUS AREAS

- Available in 24DC and 120VAC
- Tri or quad-color models
- 100,000 hour, vibration-resistant LED light source
- Surface mount
- PLC compatible
- Type 4X, IP66 enclosure
- UL and cUL Listed

The UniStat™ is a LED (light emitting diode) based, multi-color, single-high status indicator.

Using the latest LED technology, this unique status indicator can produce three colors (Amber, Green and Red) or four colors (Amber, Blue, Green and Red) from a single light source.

The UniStat offers a choice of four integrated flash patterns – steady burn, slow flash, strobe flash and SimuStrobe™. SimuStrobe simulates the attention-getting flash rate of a strobe light but with a much more color-rich output. The user can choose a total of 12 possible flash/color combinations in the tri-color models and 16 in the quad-color models.

The USIX is protected in a durable polycarbonate housing utilizing 4³/₄-inch knockout conduit openings in the surface mount base. The outer glass globe is protected by a polycarbonate dome guard (included). Each model arrives pre-assembled and ready to surface mount.

The USIX has been designed for use in Class I, Division 2, Groups A, B, C, D; Class II, Division 2, Groups F and G; and Class III. The USIX is suitable for use in Type 4X applications.

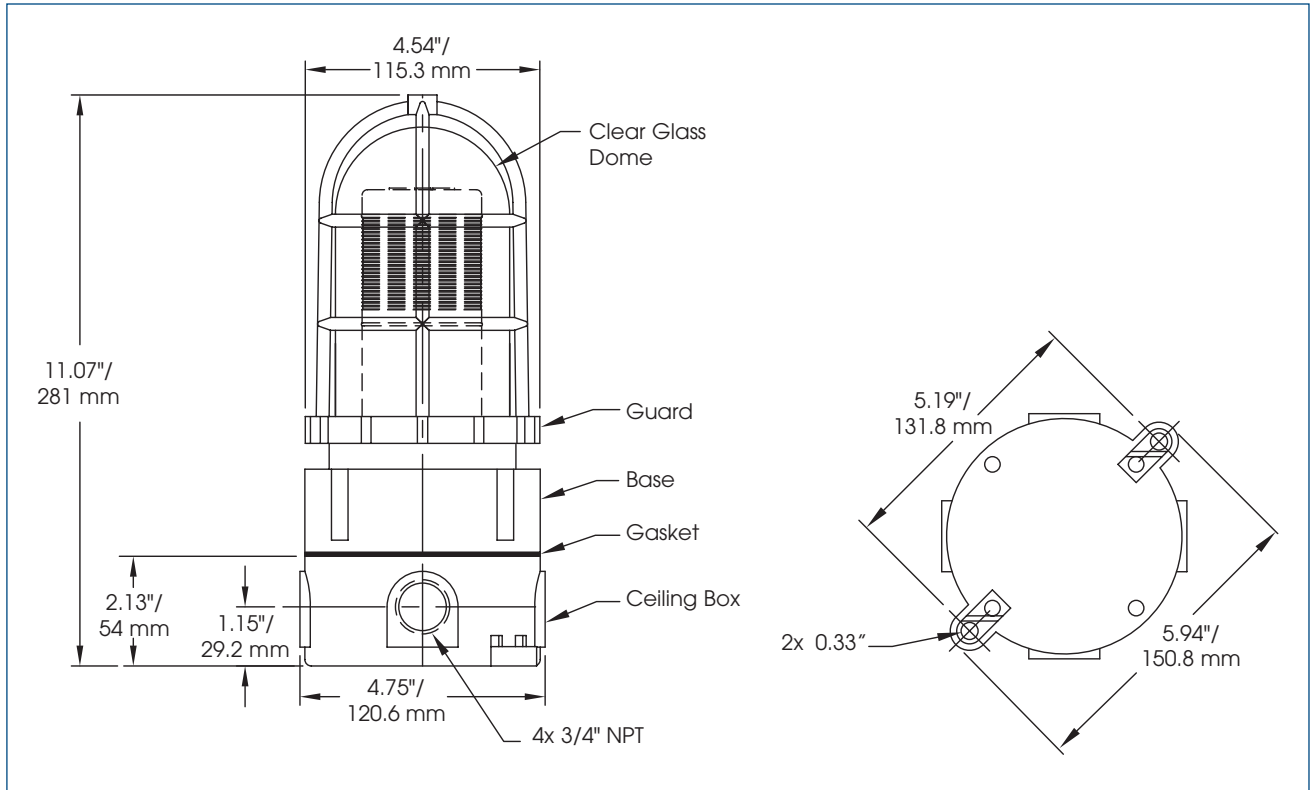
| Model | Description | Voltage | Operating Current | Mount |
|------------|-------------|---------|-------------------|---------|
| USIX-024TC | Tri-color | 24DC | 0.087 amps | Surface |
| USIX-120TC | Tri-color | 120VAC | 0.058 amps | Surface |
| USIX-024QC | Quad-color | 24DC | 0.087 amps | Surface |
| USIX-120QC | Quad-color | 120VAC | 0.058 amps | Surface |

Hazardous Location Rating:

| Hazardous Location | T-Code at Maximum Ambient Temperature, °C | |
|-----------------------------------|---|---------|
| | 40°C | 66°C |
| Class I, Div 2, Groups A, B, C, D | T6/85° | T5/100° |
| Class II, Div 2, Groups F, G | T6/85° | T6/85° |
| Class III | T6/85° | T6/85° |



HAZARDOUS LOCATION UNISTAT™ (USIX)



SPECIFICATIONS

| | | |
|------------------------|----------------|---------------|
| Lamp Life: | 100,000 Hours | 100,000 Hours |
| Light Source: | LED Array | LED Array |
| Operating Temperature: | -40°F to 150°F | -40°C to 66°C |
| Net Weight: | 2.49 lbs. | 1.13 kg |
| Shipping Weight: | 2.53 lbs. | 1.15 kg |
| Height: | 11.07" | 281 mm |
| Diameter: | 4.75" | 115.3 mm |

HOW TO ORDER

- Specify model number, voltage and tri-color or quad-color

REPLACEMENT PARTS

| Description | Part Number |
|---|--------------------|
| MicroStat–UniStat Hardware Kit ¹ | K844700351A |
| LED Array, Tri-color | K2005328A |
| LED Array, Quad-color | K2005328A-01 |

¹ Includes 1 lens of each color, cap, o-ring, and MicroStat light barrier