



LED LUMINAIRES



ProLED® Select Downlight Retrofit Series

Field Selectable Color Temperature



The ProLED Select Downlight Retrofit Series replaces 15 products with just 3, allowing the user to select from 5 different color temperatures in either 4" or 5/6" sizes by simply using a switch on the back of the fixture. Whether in a kitchen, a family room, or a shower, ProLED Select technology offers ultimate flexibility and performance in choosing the desired look and feel of lighting throughout your space.



- 5 Selectable CCT Switch**
- Wet Location and ICAT Rated**
- Replaces 50W to 120W Incandescent**
- Superior Color Rendering**
- Energy Star Certified**

Applications:

- Homes
- Healthcare
- Retail
- Hospitality
- Office

Markets:

- Residential
- Light Commercial



Contact Your Customer Care Specialist
For Pricing, Orders And Technical Support.
800.677.3334 www.halcolighting.com

ProLED® Select Downlight Retrofit Series

Field Selectable Color Temperature

Product #: _____ Type: _____
 Project: _____ Date: _____
 Comments: _____ Initials: _____

Performance

- Replaces 50 to 120 Watt Incandescent
- 85% more energy efficient than incandescent
- CRI >90
- L70 Lumen Maintenance > 50,000 hours
- 5 year limited warranty
- Dimmable to 10%
- 120VAC Input
- 5 Field Selectable Color Temperatures (CCT)
- UL Listed and Energy Star Certified
- Title 20 Tier 2 and Title 24 JA-8 Compliant

Certification

- ETL Listed
- R0Hs Compliant
- Energy Star Certified
- Wet Location Rated
- IC Rated

Construction

- 4" model includes universal friction clips for simple installation
- 5-6" model includes torsions springs for compatibility with most 5" and 6" housings
- Baffled trim design adds depth and reduces glare
- Wet Location and ICAT Rated
- Lightweight polycarbonate housing
- Includes E26 medium base adapter
- Title 24 Compliant luminaire disconnect

Applications

- Residential
- Light Commercial
- Retail
- Office

Ordering Information

Product Code	Product Number	Product Description	Watt-age	Color Temperature	Lumen Output	CRI	Voltage	Useful Life
FSDL4FR6/CCT/LED	82983	4" ProLED Select Downlight Retrofit - 5 CCT Selectable	6.5W	2700/3000/3500/4000/5000	550	>90	120	50,000
FSDL6FR9/CCT/LED	82984	5/6" ProLED Select Downlight Retrofit - 5 CCT Selectable	9W	2700/3000/3500/4000/5000	770	>90	120	50,000
FSDL6FR11/CCT/LED	83985	5/6" ProLED Select Downlight Retrofit - 5 CCT Selectable	11W	2700/3000/3500/4000/5000	1000	>90	120	50,000
ADP/DL/GU24/LED	91003	GU24 Socket Adapter	-	-	-	-	-	-

*Useful Life is defined as the point in time at which the lamp will maintain at least 70% of its initial lumens. The lamp will continue to operate past this point at decreased light levels. May not be compatible with all dimming systems, dimming performance may vary by system. Warranty – Commercial / Industrial: This product is warranted for 5 years from the date of purchase.

Specifications Table

	6.5	9	11
Rated Wattage	6.5	9	11
Input Voltage	120VAC		
Power Factor	> 0.9		
L70 Lifetime*	50,000		
Efficacy	Up to 85 LPW		
CRI	>90		
Dimming	120V Triac		
CCT	2700, 3000, 3500, 4000, 5000		
Warranty	5 Years Standard		
Environment	UL Wet Location Listed, IC Rated		
Ambient Temp. Rating	-20°C to 40°C		
Weight (lbs)	0.66	0.97	
Beam Angle	95	100	



5 CCT Selectable



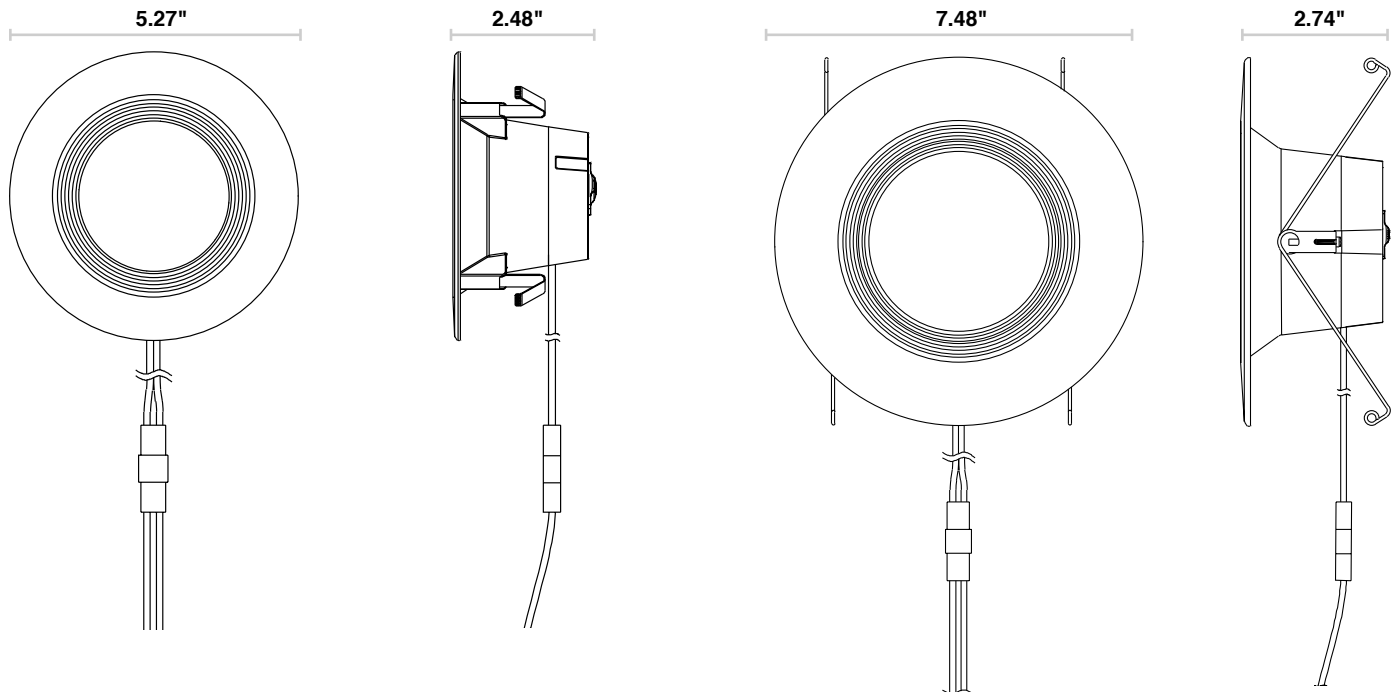
Available GU24 socket base adaptor sold separately

ProLED® Select Downlight Retrofit Series

Field Selectable Color Temperature

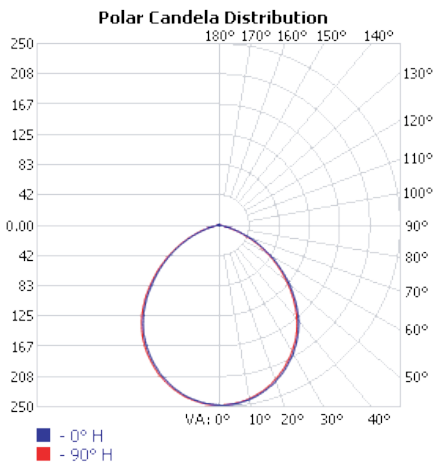
Product #: _____ Type: _____
 Project: _____ Date: _____
 Comments: _____ Initials: _____

Dimensions

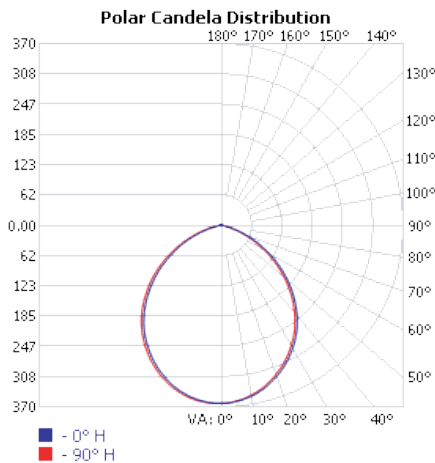


Photometrics

4" 6,5W ProLED Select Downlight Retrofit
- 5 CCT Selectable



6" 9W ProLED Select Downlight Retrofit
- 5 CCT Selectable



6" 11W ProLED Select Downlight Retrofit
- 5 CCT Selectable

