



**NO O-RING
REQUIRED!**

Heyco® -Tite Liquid Tight Cordgrips

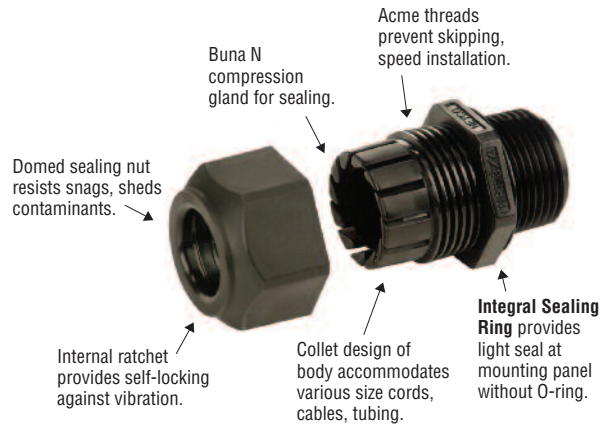
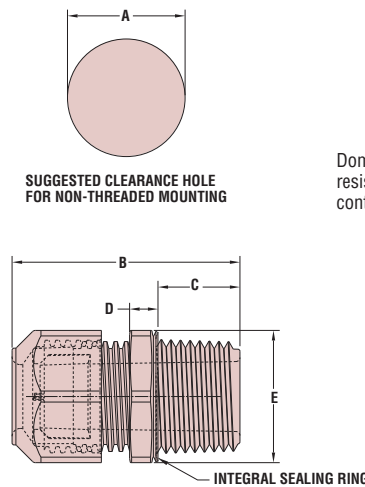
Straight-Thru, NPT Hubs with Integral Sealing Ring

The Ultimate in Liquid Tight Strain Relief Protection

- Integral Sealing Ring ensures a superior seal at the clearance or threaded mounting hole location, every time.
- Widest range of approved cable diameters.
- IP 68 rated.
- Approved for **NEMA 6 and 6P** applications.
- Ratchet design of sealing nut assembly provides superior anti-vibration protection and ensures a firm grip on the cable.
- Acme threads on body prevent skipping and speed installation.
- All nylon construction with Buna N or TPE sealing gland resists salt water, weak acids, gasoline, alcohol, oil, grease, and common solvents. (This feature is not assessed by UL.)
- Multiple sizes for flexible cord diameters ranging from .065" (1,7 mm) to 1.560" (39,6 mm).
- We recommend using the fitting with the smallest maximum diameter that will fit your application.
- **Locknuts not included.** For nylon locknut specifications or to order locknuts separately, see page 3-39.
- For Heyco Liquid Tight Threaded Plugs, see page 3-43.
- Consult Heyco for cordgrips molded in other colors.

CABLE DIA. RANGE				PART NO.		DESCRIPTION	UL or RA	PART DIMENSIONS									
Minimum		Maximum		Black	Gray			A Clearance Hole Dia.		B Max. O.A. Length		C Thread Length		D Wrenching Nut Thk.		E Wrenching Nut Flat Size	
in.	mm.	in.	mm.					in.	mm.	in.	mm.	in.	mm.	in.	mm.	in.	mm.
.065	1,7	.210	5,3	M4514	M4515	RLTCG 1/4	RA	.540	13,7	1.29	32,8	.45	11,4	.21	5,3	.63	16,0
.115	2,9	.250	6,4	M4516	M4517	LTCG 1/4											
.065	1,7	.230	5,8	M3458	M3459	RLTCG 3/8	RA	.680	17,3	1.41	35,8	.49	12,4	.21	5,3	.83	21,1
.105	2,7	.315	8,0	M3228	M3229	LTCG 3/8											
.095	2,4	.290	7,4	M4518	M4519	RLTCG 1/2	UL	.875	22,2	1.70	43,2	.61	15,5	.21	5,3	.98	24,9
.170	4,3	.450	11,4	M3231	M3232	LTCG 1/2											
.180	4,6	.400	10,2	M4520	M4521	RLTCG LL 1/2	UL	.875	22,2	1.68	42,7	.44	11,2	.25	6,4	1.06	27,0
.260	6,6	.545	13,8	M3200	M3201	LTCG LL 1/2											
.250	6,4	.490	12,4	M3460	M3461	RLTCG 3/4	UL	1.040	26,4	2.00	50,8	.62	15,7	.25	6,4	1.30	33,0
.435	11,0	.705	17,9	M3234	M3235	LTCG 3/4											
.490	12,4	.785	19,9	M8439	M8440	RLTCG 1	UL	1.326	33,7	2.41	61,2	.76	19,3	.30	7,6	1.73	43,9
.590	15,0	1.000	25,4	M8437	M8438	LTCG 1											
.787	20,0	1.020	26,0	M4522	M4523	RLTCG 1-1/4	UL	1.680	42,7	2.69	68,3	.78	19,8	.30	7,6	2.05	52,1
.865	22,0	1.260	32,0	M4524	M4525	LTCG 1-1/4											
1.000	25,4	1.240	31,5	M3319	M3320	RLTCG 1-1/2	UL	1.920	48,8	2.81	71,3	.77	19,6	.36	9,1	2.47	62,7
1.230	31,2	1.560	39,6	M3317	M3318	LTCG 1-1/2											
1.160	29,5	1.350	34,3	M3323	M3324	RLTCG 2	UL	2.400	60,8	2.93	74,3	.79	20,1	.42	10,7	2.75	69,9
1.450	36,8	1.560	39,6	M3321	M3322	LTCG 2											

Standard colors black and gray.



*Quick
Specs*

Material
Certifications

Nylon 6/6 w/Buna N or TPE Sealing Gland
 UL Listed under Underwriters' Laboratories File E51579
 RA Recognized under the Component Program of Underwriters' Laboratories File E51579
 SF Certified By Canadian Standard Association File 93876C

Flammability Rating
Temperature Rating

Approved for NEMA 6 and 6P Applications
 94V-2-Consult factory for V0 material
 Static -40°F (-40°C) to 239°F (115°C)
 Dynamic -4°F (-20°C) to 212°F (100°C)
 IP 68 (70 PSI, 5 BAR)

IP Rating