

Two Door Floor-Mounted Type 12 Enclosures



Application

Designed to protect electrical and electronic controls, components, and instruments in typical industrial environments. The UL Type 12 rating protects enclosed equipment from dust, dirt, oil, and dripping water. These enclosures are used in machine tool applications for housing motor starters, drives, contactors, and PLCs, as well as a wide variety of other electrical and electronic equipment found in the automotive, pulp and paper, wood products, textile, and similar industries.

Construction

- Seams continuously welded and ground smooth; no holes or knockouts
- Gasketed overlapping doors with no center post
- 3-point latch mechanism operated by oiltight key-lock handle
- Latch rod rollers for easy door closing
- Heavy-gauge continuous hinges support each door
- Data pocket is high-impact thermoplastic
- 12-in. floor stands welded to enclosure
- Heavy-duty lifting eyes
- Panel supports
- Oil-resistant gasket
- Collar studs for mounting optional panel
- Bonding provision on door
- Provision for mounting fluorescent light

Finish

White polyester powder paint inside with ANSI 61 gray polyester powder paint outside over phosphatized surfaces. Optional panels have white or conductive finish.

Industry Standards

UL 508A, File No. E61997: Type 12
NEMA/EEMAC Type 12
JIC standard EGP-1-1967
CSA, File No. 42186, Type 12
IEC 60529, IP55

Accessories

See also *Accessories chapter*.

- Blower Package
- Door Stop Kit (ADSTOPK)
- Drip Shield Kit
- Electric Heaters
- Electrical Interlocks
- Enclosure Stabilizers
- External Data Pockets
- Fan Cooling Products
- Folding Shelf
- INTERSAFE® Data Interface Ports
- Lighting Kit
- Panel Support Kit
- Panels
- Touch-Up Paint (ATPPY61)
- Window Kit

Modification Services Program

You can customize this product to your unique requirements by specifying from these options:

- Enclosure height, width, depth
- Over 100 standard finish colors and textures
- Holes and cutouts in body, doors, subpanels
- Tapped holes, fasteners, mounting channel in enclosure or subpanel
- Mounting
- Doors
- Subpanels
- Structural changes
- Environmental control (louvers, fans, filters)
- Windows
- Standard accessories

To order, contact your local Hoffman sales representative.

NOTE: For information about modifications outside the scope of the Modification Services program, contact your Hoffman sales representative.

Standard Sizes Two-Door Floor-Mounted Type 12 Enclosures

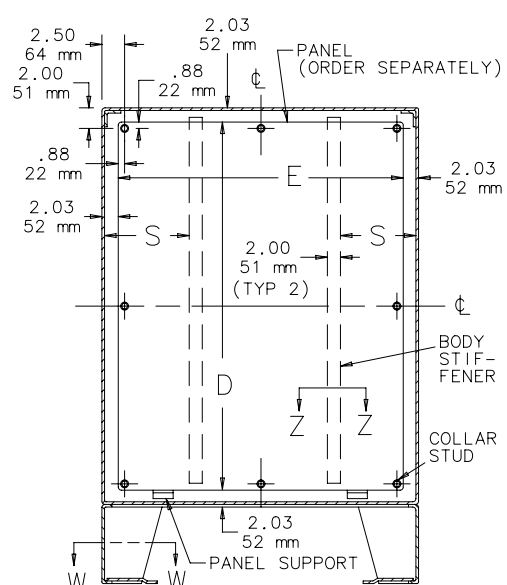
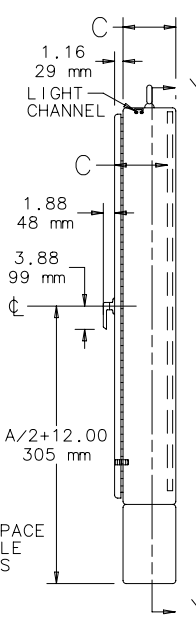
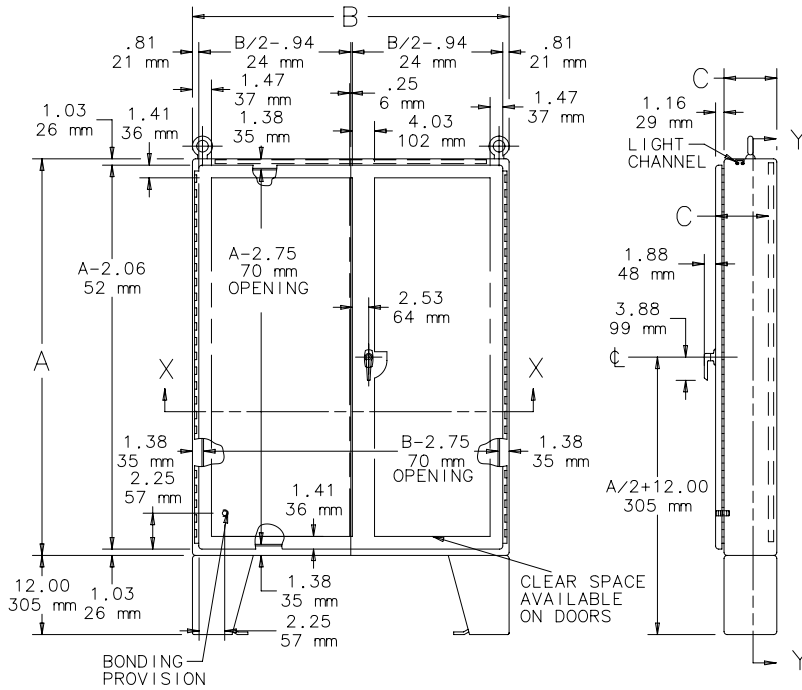
Catalog Number	A x B x C (in.)	A x B x C (mm)	Gauge	Panel Catalog Number	Conductive Panel Catalog Number	Panel Gauge	Panel Size D x E (in.)	Panel Size D x E (mm)	Stiffener (in.)	Stiffener (mm)
A544208LP	54.00 x 42.00 x 8.00	1372 x 1067 x 203	12	A54P42	A54P42G	12	50.00 x 38.00	1270 x 965	15.00	381
A604808LP	60.06 x 48.06 x 8.06	1526 x 1221 x 205	12	A60P48	A60P48G	10	56.00 x 44.00	1422 x 1118	15.00	381
A604810LP	60.06 x 48.06 x 10.06	1526 x 1221 x 256	12	A60P48	A60P48G	10	56.00 x 44.00	1422 x 1118	15.00	381
A606010LP	60.06 x 60.06 x 10.06	1526 x 1526 x 256	12	A60P60	A60P60G	10	56.00 x 56.00	1422 x 1422	21.00	533
A726010ULP	72.06 x 60.06 x 10.06	1830 x 1526 x 256	12	A72P60	A72P60G	10	68.00 x 56.00	1727 x 1422	21.00	533
A727210ULP	72.06 x 72.06 x 10.06	1830 x 1830 x 256	12	A72P72	A72P72G	10	68.00 x 68.00	1727 x 1727	24.00	610
A604812LP	60.06 x 48.06 x 12.06	1526 x 1221 x 306	12	A60P48	A60P48G	10	56.00 x 44.00	1422 x 1118	15.00	381
A606012LP	60.06 x 60.06 x 12.06	1526 x 1526 x 306	12	A60P60	A60P60G	10	56.00 x 56.00	1422 x 1422	21.00	533
A726012ULP	72.06 x 60.06 x 12.06	1830 x 1526 x 306	12	A72P60	A72P60G	10	68.00 x 56.00	1727 x 1422	21.00	533
A727212ULP	72.06 x 72.06 x 12.06	1830 x 1830 x 306	12	A72P72	A72P72G	10	68.00 x 68.00	1727 x 1727	24.00	610
A604816LP	60.06 x 48.06 x 16.06	1526 x 1221 x 408	12	A60P48	A60P48G	10	56.00 x 44.00	1422 x 1118	15.00	381

Two Door Floor-Mounted Type I2 Enclosures

Standard Sizes Two-Door Floor-Mounted Type I2 Enclosures (Cont.)

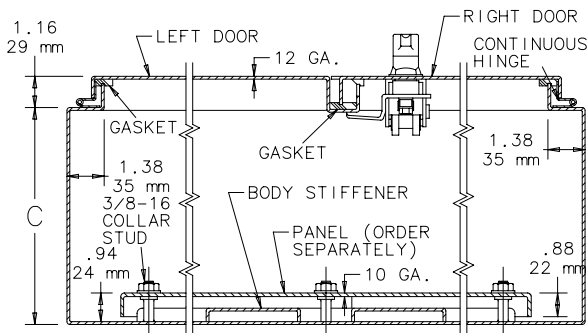
Catalog Number	A x B x C (in.)	A x B x C (mm)	Gauge	Panel Catalog Number	Conductive Panel Catalog Number	Panel Gauge	Panel Size D x E (in.)	Panel Size D x E (mm)	Stiffener (in.)	Stiffener (mm)
A606016LP	60.06 x 60.06 x 16.06	1526 x 1526 x 408	12	A60P60	A60P60G	10	56.00 x 56.00	1422 x 1422	21.00	533
A726016ULP	72.06 x 60.06 x 16.06	1830 x 1526 x 408	12	A72P60	A72P60G	10	68.00 x 56.00	1727 x 1422	21.00	533
A727216ULP	72.06 x 72.06 x 16.06	1830 x 1830 x 408	12	A72P72	A72P72G	10	68.00 x 68.00	1727 x 1727	24.00	610
A604820LP	60.06 x 48.06 x 20.06	1526 x 1221 x 510	12	A60P48	A60P48G	10	56.00 x 44.00	1422 x 1118	15.00	381
A726020ULP	72.06 x 60.06 x 20.06	1830 x 1526 x 510	12	A72P60	A72P60G	10	68.00 x 56.00	1727 x 1422	21.00	533
A727220ULP	72.06 x 72.06 x 20.06	1830 x 1830 x 510	12	A72P72	A72P72G	10	68.00 x 68.00	1727 x 1727	24.00	610
A604824LP	60.06 x 48.06 x 24.06	1526 x 1221 x 611	12	A60P48	A60P48G	10	56.00 x 44.00	1422 x 1118	15.00	381
A606024LP	60.06 x 60.06 x 24.06	1526 x 1526 x 611	12	A60P60	A60P60G	10	56.00 x 56.00	1422 x 1422	21.00	533
A726024ULP	72.06 x 60.06 x 24.06	1830 x 1526 x 611	12	A72P60	A72P60G	10	68.00 x 56.00	1727 x 1422	21.00	533
A727224ULP	72.06 x 72.06 x 24.06	1830 x 1830 x 611	12	A72P72	A72P72G	10	68.00 x 68.00	1727 x 1727	24.00	610

Purchase panels separately.

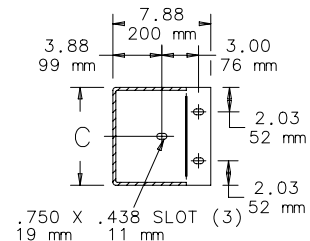


SECTION Y-Y

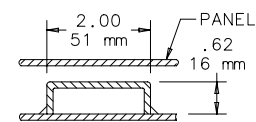
NOTE: 1. Right door has removable 12.00 x 12.00 (305mm x 305mm) data pocket.



SECTION X-X
(LIFTING ANGLES NOT SHOWN)



SECTION W-W



SECTION Z-Z

C2485-C

**Industrial
Enclosures**