



## Application

These high-efficiency heat exchangers have a closed-loop design that separates dirty ambient air from the clean air inside the enclosure to maintain the integrity of the enclosure and extend equipment life. Available in seven sizes, these streamlined units are designed for limited space applications, especially on narrow or shallow enclosures.

## Construction

- Unique cores provide high efficiency and high performance heat transfer
  - Modified heat pipe core on XR20 and XR2908 slides out for easy cleaning
  - Counterflow aluminum core on XR2918, XR47, and XR60
- Top-quality ball-bearing fans result in extended reliable service
- Streamlined aesthetics with no visible mounting rails or fasteners. The slim design allows for mounting to narrow or shallow enclosures.
- Front cover hinges open for easy access to all components
- Mounts vertically or horizontally on front, side, or top of enclosure
- Mounts inside or outside of enclosure
- Enclosure air return plenum is provided
- DC voltage available if required. Please contact Hoffman. Service cord provided includes appropriate plug:
  - NEMA 5-15P for 115V units
  - NEMA 6-15P for 230V units
- Mounting gaskets and instruction manual furnished

## Finish

Coated with RAL 7035 polyester powder paint inside and out

## Industry Standards

Maintains UL/cUL Type 12 or Type 3R rating when properly installed on the appropriate UL/cUL Type 12 enclosure.

NOTE: Maintains Type 3R rating when mounted externally and in a vertical position.

NOTE: XR200416012, XR200426012, XR290816012, and XR290826012 do not carry Type 3R rating.

UL/cUL Listed, UL File Number SA7402  
CE

NOTE: Hoffman XR units are directly interchangeable with ProAir models.

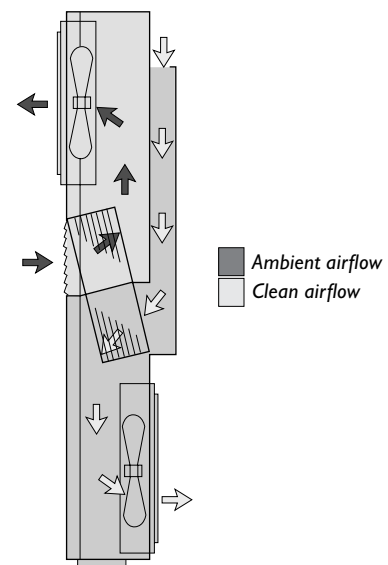
## When Should You Use a Heat Exchanger?

A heat exchanger is recommended when:

- Ambient air contaminants must be kept out of the enclosure
- The integrity of the enclosure must be maintained
- Temperature slightly above ambient inside the cabinet is acceptable
- Humidity is not a factor

## Closed Loop Air Circulation

Within the heat exchanger, the recirculated clean air is kept separate from the ambient airflow system. This protects the electronic controls and prevents shutdowns caused by heat, humidity, dust, and other contaminants.



**XR Series**

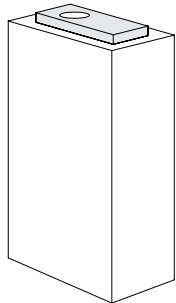
## Standard Sizes XR Series Compact and Mid-Size Heat Exchangers

Catalog Number	A x B x C in. (mm)	Voltage	Hz	Phase	Full Load Amps	Max Amb. Temp. ° F/°C	Enclosure Air In <sup>a</sup> W/°F (W/°K)	Enclosure Air Out <sup>a</sup> W/°F (W/°K)	Shipping Weight lb./kg
XR200416012 <sup>b</sup>	20.00 x 7.50 x 3.00 (508 x 191 x 76)	115	50/60	1	0.6	140/60	4 (7)	9 (16)	16/7
XR200426012 <sup>b</sup>	20.00 x 7.50 x 3.00 (508 x 191 x 76)	230	50/60	1	0.3	140/60	4 (7)	9 (16)	16/7
XR290816012 <sup>b</sup>	29.50 x 10.00 x 3.09 (749 x 254 x 79)	115	50/60	1	0.6	140/60	8 (14)	30 (54)	27/12
XR290826012 <sup>b</sup>	29.50 x 10.00 x 3.09 (749 x 254 x 79)	230	50/60	1	0.3	140/60	8 (14)	30 (54)	27/12
XR291816012	29.66 x 10.24 x 5.92 (753 x 260 x 150)	115	50/60	1	1.0	140/60	18 (32)	34 (61)	34/16
XR291826012	29.66 x 10.24 x 5.92 (753 x 260 x 150)	230	50/60	1	0.6	140/60	18 (32)	34 (61)	34/16
XR472416012	47.16 x 10.24 x 5.92 (1198 x 260 x 150)	115	50/60	1	1.5	140/60	24 (43)	44 (79)	51/24
XR472426012	47.16 x 10.24 x 5.92 (1198 x 260 x 150)	230	50/60	1	0.8	140/60	24 (43)	44 (79)	51/24
XR473516012	47.16 x 15.24 x 5.92 (1198 x 387 x 150)	115	50/60	1	1.5	140/60	35 (63)	77 (139)	63/29
XR473526012	47.16 x 15.24 x 5.92 (1198 x 387 x 150)	230	50/60	1	0.8	140/60	35 (63)	77 (139)	63/29
XR605516012	59.66 x 15.24 x 5.92 (1515 x 387 x 150)	115	50/60	1	6.7	140/60	55 (99)	138 (248)	91/42
XR605526012	59.66 x 15.24 x 5.92 (1515 x 387 x 150)	230	50/60	1	3.4	140/60	55 (99)	138 (248)	91/42
XR608416012	59.66 x 15.24 x 9.92 (1515 x 387 x 252)	115	50/60	1	6.7	140/60	84 (151)	210 (378)	115/53
XR608426012	59.66 x 15.24 x 9.92 (1515 x 387 x 252)	230	50/60	1	3.4	140/60	84 (151)	210 (378)	115/53

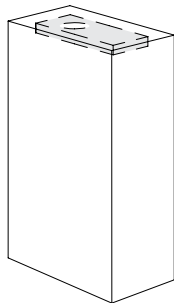
<sup>a</sup>The “enclosure air in” efficiency rating is based on air entering the heat exchanger from the enclosure. The “enclosure air out” efficiency rating is based on air exiting the heat exchanger into the enclosure. All XR exchanger units are rated at 100°F/38°C ambient temperatures with 1500W internal heat load. Heat exchanger efficiency will decrease as ambient temperature and/or internal heat load decreases.

<sup>b</sup>XR200416012, XR200426012, XR290816012, and S290826012 do not carry Type 3R rating.

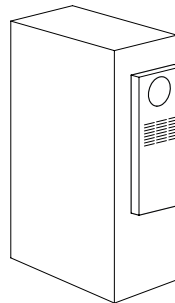
### Mounting Options



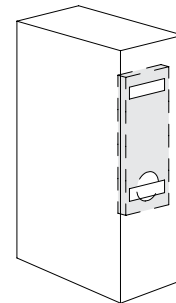
External  
Top-Mount



Internal  
Top-Mount



External  
Vertical-Mount



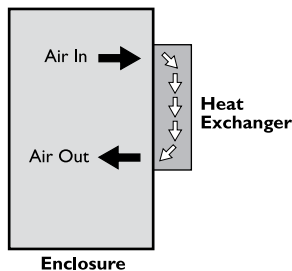
Internal  
Vertical-Mount

Note:  
Internal  
mounting  
requires  
inverting  
the heat  
exchanger  
as shown.

87569532

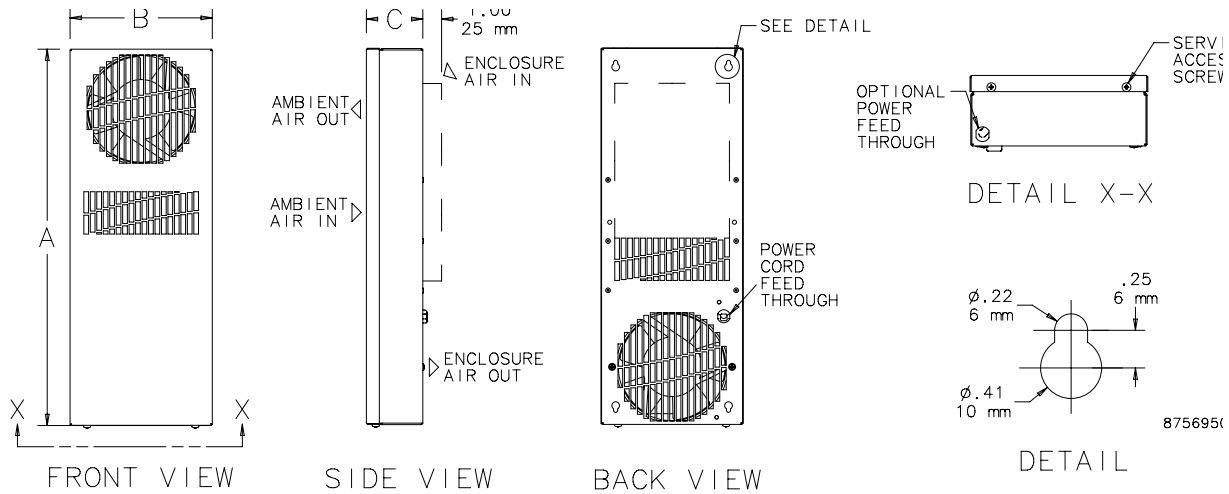
### Application Tip

Locate heat-sensitive components in line with the “Air Out” opening of the heat exchanger.



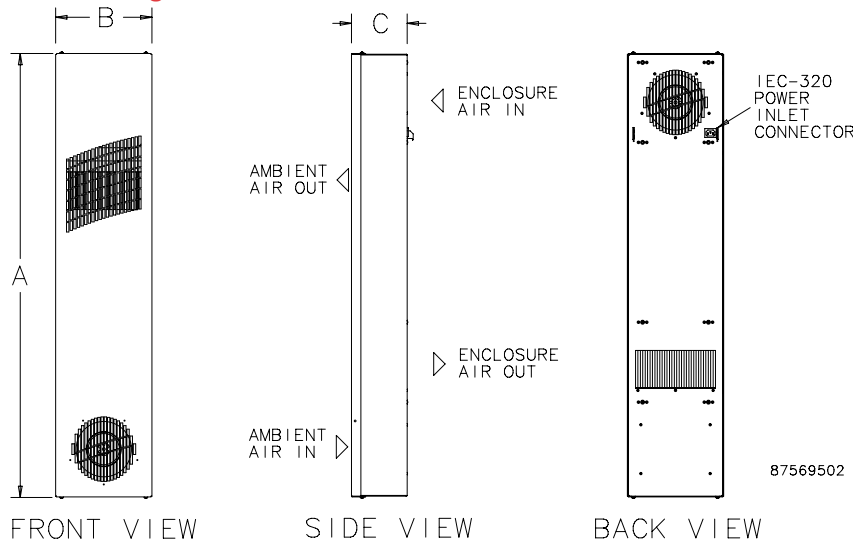
# XR Series Compact and Mid-Size Heat Exchangers

## XR20, XR2908 Heat Exchangers Drawing

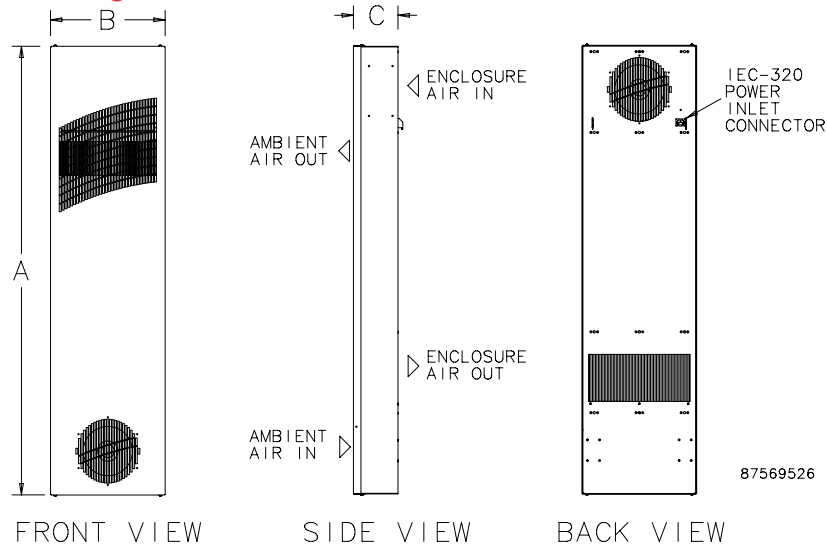


Note: Detachable airflow plenum can be used when mounting the heat exchanger either inside or outside the enclosure.

## XR2918 and XR4724 Heat Exchangers

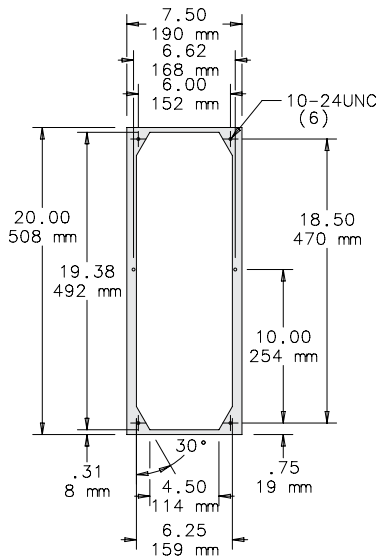


## XR4735 and XR60 Heat Exchangers

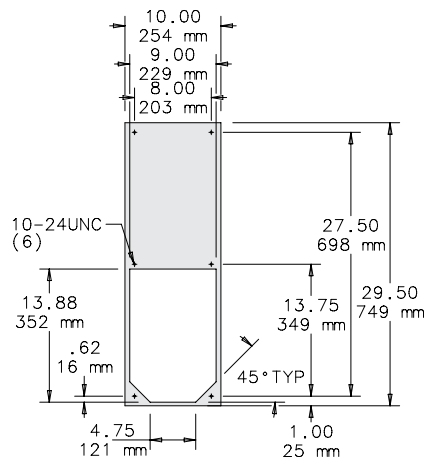


**Thermal Management**

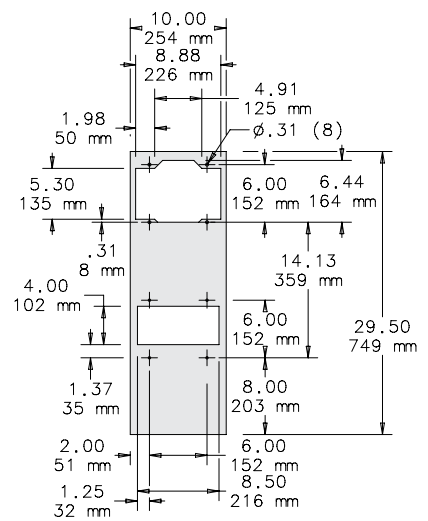
**Enclosure Cutouts**



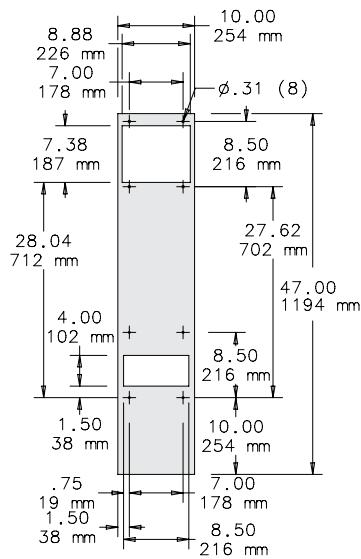
XR20



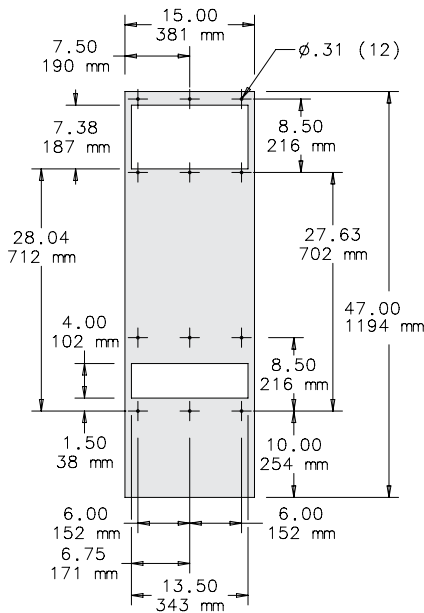
XR2908



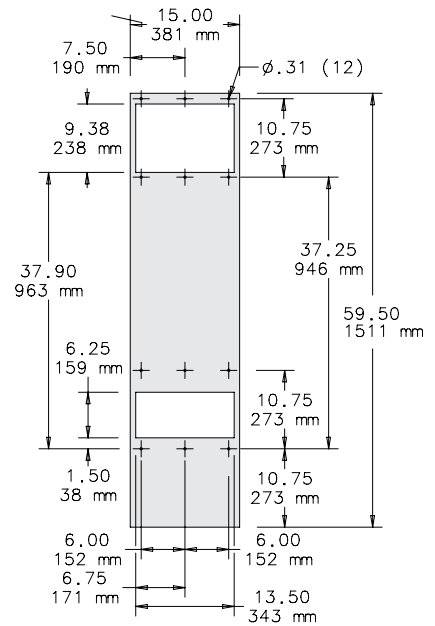
XR2918



XR4724



XR4735



XR60

87569527

**Notes:**

1. Cutouts shown are for external mounting only. For internal mounting, except XR2908, rotate cutout 180 degrees. XR2908 internal mount cutout is not shown.
2. Shaded area represents heat exchanger.