

## New Construction

# FT6

6" Fire Resistant, AirShield  
Line Voltage  
Incandescent Recessed Downlight  
Non-IC Rated  
120V

DATE: \_\_\_\_\_ TYPE: \_\_\_\_\_

FIRM NAME: \_\_\_\_\_

PROJECT: \_\_\_\_\_



Aperture: Nominal 6"  
Ceiling Cutout: 6<sup>7</sup>/<sub>8</sub>"  
Maximum Ceiling Thickness: 2"  
For conversion to millimeters,  
multiply inches by 25.4  
Weight: 14 lbs.  
Not to Scale

### APPLICATIONS:

Suitable for fire rated assemblies in new construction where insulation, if present, is not installed above or within 3" of the fixture. The FT6 can accommodate up to 150W. Ideal for hospitality, multifamily, office spaces, buildings, and insititutional applications.

### REFLECTOR:

Trims accept a torsion spring in the housing which has a positive upward spring action to ensure a snug fit to the ceiling plane, eliminating unwanted light leaks and sagging over time. Trims come standard with a painted white trim ring.

### LAMP/SOCKET:

Porcelain socket with brass or copper screw shell. Socket snaps into trim carrier to place lamp in proper position ensuring consistent appearance and performance. Thermal protector prevents fixture from overheating when improperly installed or over-lamped. Refer to trim for specific lamp information. Lamps furnished by others.

### INSTALLATION:

Bar hangers with integral T-Bar mounting clips and nail tab for wood joist construction. Accommodates up to 24" on center ceiling joists. Shipped with four clips for installation to furring channels.

### HOUSING:

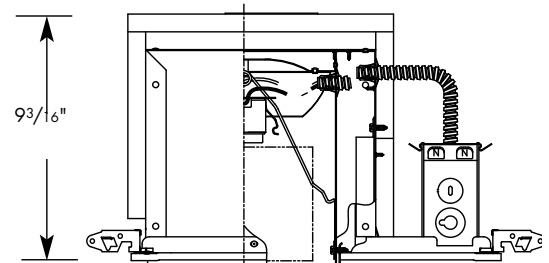
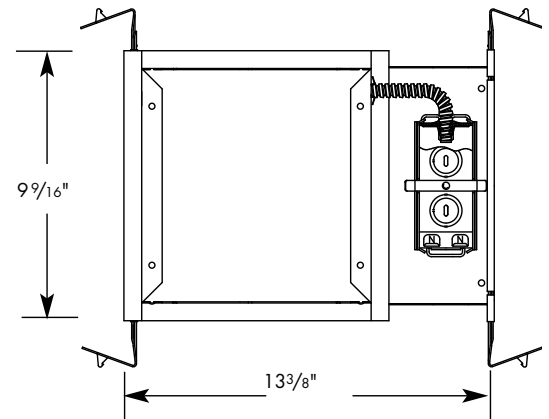
Galvanized steel outer housing with full wrap-around galvanized steel plaster frame. Housing adjusts from 1/2" to 2" for thick ceilings. Notched mounting frame for easy alignment. Six pieces of UL classified fire resistant gypsum board attached to housing. Fiberglass gasket on bottom of frame to minimize heat transfer into ceiling cavity.

Housing includes knock out free integral Romex clamps, overspray protection, universal J-box with snap-out sides, 1/2" and 3/4" knock outs for rigid conduit or BX fittings, thermal protector, and a grounding pigtail. Rated for (8) #12 90° conductors (4 in/4 out). Access door in housing for field inspection of wiring.

### LABELS:

Non-IC rated. Insulation, if present, must be spaced 3" away from housing. UL, CUL listed for damp location and through wiring. Wet location when used with lensed trims TO63WL and TO64WL. AirShield™ rated. Thermally protected. STC rated to maintain sound ratings.

UL Classified to maintain fire rating up to 1 hour for all UL P200 and P500 series fire rated roof/ceiling assemblies; UL classified to maintain fire rating up to 2 hours on all UL D200, G200, L200, D500, G500, and L500 series fire rated floor/ceiling assemblies.



US Patent Nos. 6,357,891;  
5,758,959; 6,004,011

CATALOG NUMBER:

EXAMPLE: FT6-TB60

HOUSING	TRIMS	TRIMS	TRIMS	TRIMS	TRIMS	ACCESSORIES
<input type="checkbox"/> <b>FT6</b>	<b>ADJUSTABLE</b> <input type="checkbox"/> <b>TA60</b> <input type="checkbox"/> <b>TAW65</b>	<b>BAFFLE</b> <input type="checkbox"/> <b>TB60</b> <input type="checkbox"/> <b>TBW60</b> <input type="checkbox"/> <b>TB61</b> <input type="checkbox"/> <b>TBW61</b> <input type="checkbox"/> <b>TB62</b> <input type="checkbox"/> <b>TBW62</b>	<b>LENSED</b> <input type="checkbox"/> <b>TL60</b> <input type="checkbox"/> <b>TL61</b> <input type="checkbox"/> <b>TL62</b> <input type="checkbox"/> <b>TL63</b> <input type="checkbox"/> <b>TL64</b>	<b>OPEN</b> <input type="checkbox"/> <b>TO6</b> <input type="checkbox"/> <b>TO60B</b> <input type="checkbox"/> <b>TO60C</b> <input type="checkbox"/> <b>TO60G</b> <input type="checkbox"/> <b>TO61</b> <input type="checkbox"/> <b>TO62</b> <b>OPEN SHOWER</b> <input type="checkbox"/> <b>TO63WL</b> <input type="checkbox"/> <b>TO64WL</b>	<b>WALL WASH</b> <input type="checkbox"/> <b>TW61WBF</b>	<input type="checkbox"/> <b>G6</b> Ceiling gasket for 6" line voltage trim. Ceiling gasket seals housing to drywall opening as an option for Washington State Energy Code (WSEC) compliance. <input type="checkbox"/> <b>ICBOX</b> Recessed enclosure for IC applications. Refer to specification sheet FT-INC-005

# TRIMS & FINISHES

**FireTight® - FT6 Incandescent Line Voltage  
Fire Resistant Recessed Downlight**

## Adjustable



**TA60**  
White eyeball.  
Max. 75W PAR-30, 85W BR-30  
Adj. 358°H x 30°V



**TAW65**  
White (TAW65) regressed baffle  
eyeball.  
Max. 75W PAR-30, 85W BR-30  
Adj. 350°H x 30°V

## Baffle



**TB60**  
High wattage stepped black baffle.  
Max. 150W PAR-38, 100W A-19,  
120W BR-40



**TBW60**  
High wattage stepped white baffle.  
Max. 150W PAR-38, 120W BR-40,  
100W A-19



**TB61**  
Black stepped baffle.  
Max. 75W/PAR-30L, 85W BR-30,  
75W A-19



**TBW61**  
White stepped baffle.  
Max. 75W/PAR-30L, 85W BR-30,  
75W A-19

## Baffle (cont.)



**TB62**  
Black stepped baffle. O.D. 8<sup>3</sup>/<sub>4</sub>" dia.  
Max. 150W/PAR-38, 120W BR-40



**TBW62**  
White stepped baffle. O.D. 8<sup>3</sup>/<sub>4</sub>" dia.  
Max. 150W/PAR-38, 120W BR-40

## Lensed



**TL60**  
Shower light with glass dropped opal  
lens. Non-metallic flange. Wet location  
approved.  
Max. 75W PAR-30, 60W A-19



**TL61**  
Shower trim with dropped opal glass  
lens. O.D. 8<sup>1</sup>/<sub>4</sub>" dia. Metal flange.  
Wet location approved.  
Max. 75W A-19



**TL62**  
Fresnel glass shower lens. Wet location  
approved. Non-metallic flange.  
Max. 50W PAR-30



**TL63**  
White domed polycarbonate shower  
lens. O.D. 8<sup>1</sup>/<sub>4</sub>" dia. Wet location  
approved.  
Max. 60W A-19



**TL64**  
White albalite flush glass lensed trim.  
Metal flange. Wet location approved.  
Max. 40W A-19

## Open



**TO6**  
White cone trim.  
Max. 150W PAR-38, 120W BR-40,  
100W A-19



**TO60B**  
Specular black Alzak reflector.  
Max. 150W PAR-38, 120W BR-40,  
100W A-19



**TO60C**  
Specular clear Alzak reflector.  
Max. 150W PAR-38, 120W BR-40,  
100W A-19



**TO60G**  
Specular gold Alzak reflector.  
Max. 150W PAR-38, 120W BR-40,  
100W A-19



**TO61**  
White open splay trim.  
Max. 75W PAR-30L, 85W BR-30, 75W  
A-19



**TO62**  
High wattage white open trim.  
O.D. 8<sup>1</sup>/<sub>4</sub>" dia.  
Max. 150W PAR-38, 120W BR-40

## Wall Wash



**TW61WBF**  
White baffle wall wash.  
Max. 40W A-19

## Open Shower



**TO63WL**  
White open shower trim. Metal flange.  
Wet location approved.  
Max. 50W PAR-30L



**TO64WL**  
High wattage white open shower trim.  
O.D. 8<sup>3</sup>/<sub>4</sub>" dia. Metal Flange. Wet loca-  
tion approved.  
Max. 75W PAR-38

Refer to [www.prescolite.com](http://www.prescolite.com) for photometrics.