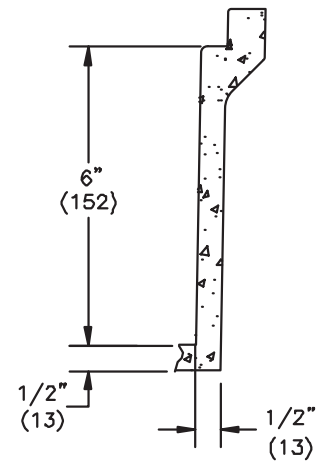
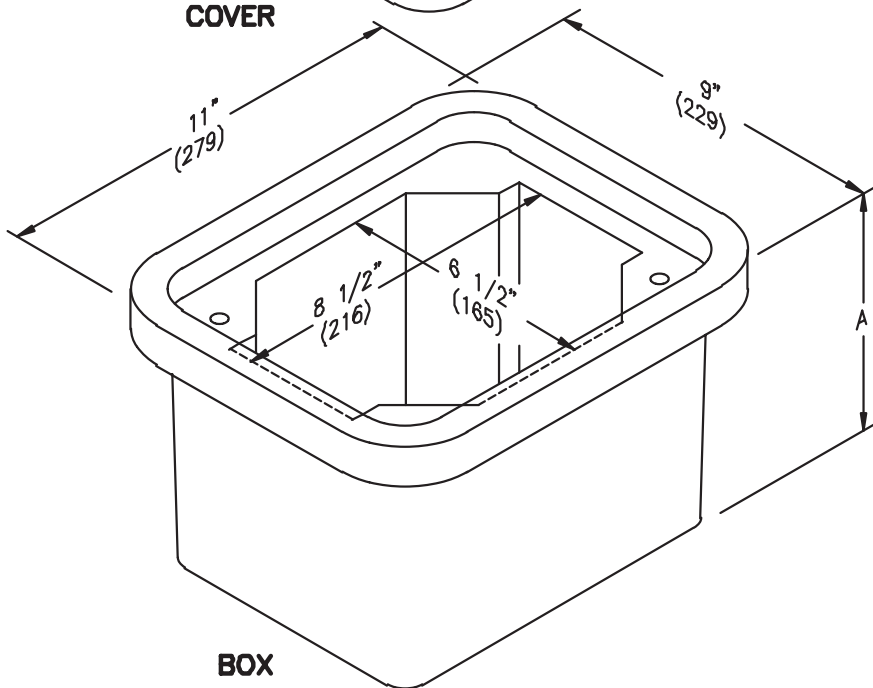
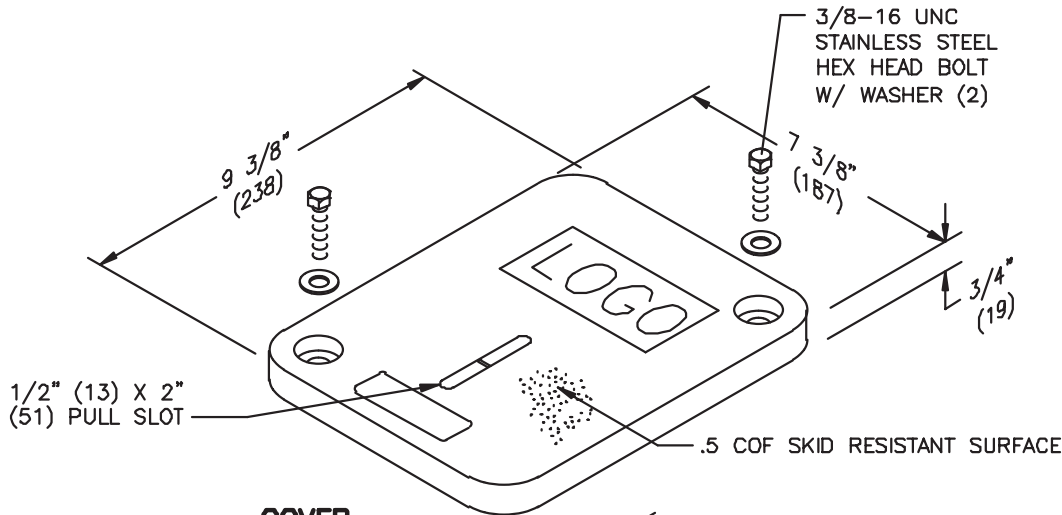


SPECIFICATIONS/DATA

6" x 8" PC Style (Stackable) Assembly



ENCLOSURE DRAWINGS

Covers (Blank unless logo is specified)

DESCRIPTION	PART NO.	WEIGHT #	DESIGN/TEST LOAD #	ANSI TIER
W/2 Bolts	PC0608HA00	4 (1.8 kg)	15,000 / 22,500	15
Gasketed w/4 Bolts	PC0608HG00	4 (1.8 kg)	15,000 / 22,500	15

• Gasketed covers and bolt grommets must be used with a gasketed box. Gaskets reduce the inflow of fluids but do not make the enclosure water tight.

Boxes (Stackable with self-aligning, replaceable EZ-Nut)

DESCRIPTION	PART NO.	WEIGHT #	DIMENSION A	DESIGN/TEST LOAD #	ANSI TIER
Open Bottom	PC0608BA06	14 (6.4 kg)	6 3/4" (171 mm)	15,000 / 22,500	15
Open Bottom w/Gasket	PC0608BG06	14 (6.4 kg)	6 3/4" (171 mm)	15,000 / 22,500	15
Solid Bottom	PC0608DA06	15 (6.8 kg)	7 1/4" (184 mm)	15,000 / 22,500	15
Solid Bottom w/Gasket	PC0608DG06	15 (6.8 kg)	7 1/4" (184 mm)	15,000 / 22,500	15

Dimensions & weights in parentheses are metric equivalent.