

PROOF CONDUIT BODIES



LB Assembly
RLB050 – RLB400



C Assembly
RLC050 – RLC400



LL Assembly
RLL050 – RLL400



LR Assembly
RLR050 – RLR400



T Assembly
RLT050 – RLT400



SLB
RSLB050 – RSLB200

APPLICATIONS

- For use with threaded Rigid/IMC conduit for pulling access or to split a run into multiple directions. Removable cover allows access for maintenance and making taps and splices to conductors.

PRODUCT FEATURES

- Durable die cast aluminum construction
- Premium powder coat finish
- Includes NBR synthetic rubber gasket
- Stamped steel cover
- Combination head screw

COMPLIANCES

- File E331564
- 2014 NEC® compliant
- NEMA 3R rated

CATALOG #	DESCRIPTION	SIZE	STD. PKG.	BARCODE
Threaded Conduit Fittings: LB Assembly				
RLB050	Threaded LB Assembly	1/2"	10	
RLB075	Threaded LB Assembly	3/4"	10	
RLB100	Threaded LB Assembly	1"	5	
RLB125	Threaded LB Assembly	1 1/4"	2	
RLB150	Threaded LB Assembly	1 1/2"	2	
RLB200	Threaded LB Assembly	2"	2	
RLB250	Threaded LB Assembly	2 1/2"	1	
RLB300	Threaded LB Assembly	3"	1	
RLB350	Threaded LB Assembly	3 1/2"	1	
RLB400	Threaded LB Assembly	4"	1	
Threaded Conduit Fittings: C Assembly				
RLC050	Threaded C Assembly	1/2"	5	
RLC075	Threaded C Assembly	3/4"	5	
RLC100	Threaded C Assembly	1"	5	
RLC125	Threaded C Assembly	1 1/4"	2	
RLC150	Threaded C Assembly	1 1/2"	2	
RLC200	Threaded C Assembly	2"	2	
RLC250	Threaded C Assembly	2 1/2"	1	
RLC300	Threaded C Assembly	3"	1	
RLC350	Threaded C Assembly	3 1/2"	1	
RLC400	Threaded C Assembly	4"	1	
Threaded Conduit Fittings: LL Assembly				
RLL050	Threaded LL Assembly	1/2"	5	
RLL075	Threaded LL Assembly	3/4"	5	
RLL100	Threaded LL Assembly	1"	5	
RLL125	Threaded LL Assembly	1 1/4"	2	
RLL150	Threaded LL Assembly	1 1/2"	2	
RLL200	Threaded LL Assembly	2"	2	
RLL250	Threaded LL Assembly	2 1/2"	1	
RLL300	Threaded LL Assembly	3"	1	
RLL350	Threaded LL Assembly	3 1/2"	1	
RLL400	Threaded LL Assembly	4"	1	

CATALOG #	DESCRIPTION	SIZE	STD. PKG.	BARCODE
Threaded Conduit Fittings: LR Assembly				
RLR050	Threaded LR Assembly	1/2"	5	
RLR075	Threaded LR Assembly	3/4"	5	
RLR100	Threaded LR Assembly	1"	5	
RLR125	Threaded LR Assembly	1 1/4"	2	
RLR150	Threaded LR Assembly	1 1/2"	2	
RLR200	Threaded LR Assembly	2"	2	
RLR250	Threaded LR Assembly	2 1/2"	1	
RLR300	Threaded LR Assembly	3"	1	
RLR350	Threaded LR Assembly	3 1/2"	1	
RLR400	Threaded LR Assembly	4"	1	
Threaded Conduit Fittings: T Assembly				
RLT050	Threaded T Assembly	1/2"	5	
RLT075	Threaded T Assembly	3/4"	5	
RLT100	Threaded T Assembly	1"	5	
RLT125	Threaded T Assembly	1 1/4"	2	
RLT150	Threaded T Assembly	1 1/2"	2	
RLT200	Threaded T Assembly	2"	2	
RLT250	Threaded T Assembly	2 1/2"	1	
RLT300	Threaded T Assembly	3"	1	
RLT350	Threaded T Assembly	3 1/2"	1	
RLT400	Threaded T Assembly	4"	1	
Threaded Conduit Fittings: SLB				
RSLB050	Threaded Service Entrance Elbow	1/2"	10	
RSLB075	Threaded Service Entrance Elbow	3/4"	5	
RSLB100	Threaded Service Entrance Elbow	1"	3	
RSLB125	Threaded Service Entrance Elbow	1 1/4"	2	
RSLB150	Threaded Service Entrance Elbow	1 1/2"	2	
RSLB200	Threaded Service Entrance Elbow	2"	2	

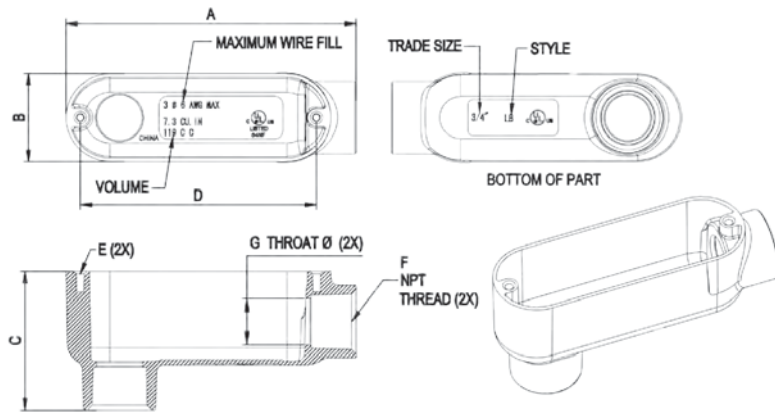
SEE END OF SECTION (PG C23-C25) FOR DETAILED DRAWINGS >>



CONDUIT BODIES

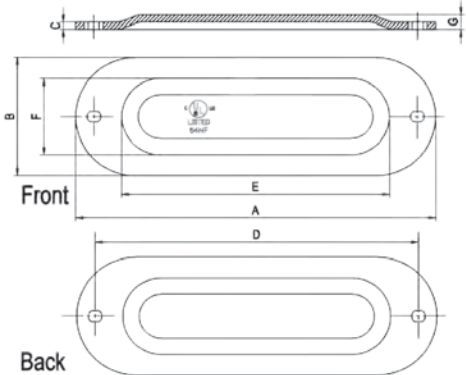
RLB

TRADE SIZE	CATALOG NUMBER	A	B	C	D ±0.010 [.25]	E TAPPED HOLES	F NPT THREAD	G THROAT DIA +0/-0.020[0.51]	VOLUME	MAXIMUM WIRE FILL
1/2"	RLB050	4.31	1.34	2.09	3.500	#8-32UNC-2B	1/2-14NPT	0.612	4.3 CU.IN	
		109.5	34.0	53.1	88.90			15.54	70 CC	
3/4"	RLB075	5.08	1.56	2.39	4.125	#8-32UNC-2B	3/4-14NPT	0.814	7.3 CU.IN	3 # 6 AWG MAX
		129.0	39.6	60.7	104.78			20.68	119 CC	
		1.039	12.0 CU.IN							
1"	RLB100	5.92	1.82	2.78	4.830	#8-32UNC-2B	1-11 1/2NPT	1.039	12.0 CU.IN	3 # 4 AWG MAX
1-1/4"	RLB125	150.4	46.2	70.6	122.68	#12-24UNC-2B	1-1/4-11 1/2NPT	26.39	196 CC	3 # 2 AWG MAX
		7.82	2.51	3.52	6.500			1.370	32.3 CU.IN	
		198.6	63.8	89.4	165.10			34.80	529 CC	
1-1/2"	RLB150	7.82	2.51	3.52	6.500	#12-24UNC-2B	1-1/2-11 1/2NPT	1.600	34.2 CU.IN	3 # 2 AWG MAX
		198.6	63.8	89.4	165.10			40.64	560 CC	
		2.057	71.4 CU.IN							
2"	RLB200	10.05	3.19	4.51	8.562	#12-24UNC-2B	2-11 1/2NPT	2.057	71.4 CU.IN	3 # 2/0 MAX
2-1/2"	RLB250	255.3	81.0	114.6	217.47	#5/16UNC-2B	2-1/2-8NPT	52.25	1170 CC	3 # 4/0 MAX
		12.83	4.49	5.31	11.250			2.459	157.4 CU.IN	
		325.9	114.0	134.9	285.75			62.46	2579 CC	
3"	RLB300	12.83	4.49	5.91	11.250	#5/16UNC-2B	3-8NPT	3.058	179.8 CU.IN	3 # 250 MAX
3-1/2"	RLB350	325.9	114.0	150.1	285.75	#5/16UNC-2B	3-1/2-8NPT	77.67	2946 CC	3 # 250 MAX
		15.65	5.55	7.09	13.687			3.538	323.0 CU.IN	
		397.5	141.0	180.1	347.65			89.87	5293 CC	
4"	RLB400	15.65	5.55	7.09	13.687	#5/16UNC-2B	4-8NPT	4.016	323.0 CU.IN	3 # 250 MAX
		397.5	141.0	180.1	347.65			102.01	5293 CC	



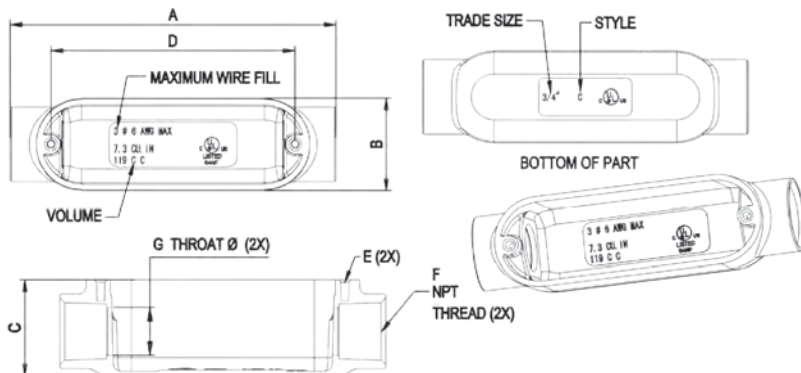
RLB/RLC/RL/RLR/RLT (cover plate)

TRADE SIZE	A	B	C	D ± 0.02	E	F	G
1/2"	3.900	1.340	0.070	3.500	2.890	0.827	0.181
	99.1	34.0	1.8	88.9	73.4	21.0	4.6
3/4"	4.665	1.535	0.070	4.126	3.465	0.886	0.181
	118.5	39.0	1.8	104.8	88.0	22.5	4.6
	5.374	1.732	0.070	4.831	4.291	1.400	0.181
1"	136.5	44.0	1.8	122.7	109.0	35.6	4.6
1-1/4"	7.283	2.500	0.070	6.500	5.827	1.437	0.181
	185.0	63.5	1.8	165.1	148.0	36.5	4.6
1-1/2"	7.283	2.500	0.070	6.500	5.827	1.437	0.181
	185.0	63.5	1.8	165.1	148.0	36.5	4.6
2"	9.488	3.150	0.070	8.563	7.539	1.732	0.181
	241.0	80.0	1.8	217.5	191.5	44.0	4.6
2-1/2"	12.205	4.528	0.098	11.25	10.236	2.362	0.197
	310.0	115.0	2.5	285.8	260.0	60.0	5.0
3"	12.205	4.528	0.098	11.25	10.236	2.362	0.197
	310.0	115.0	2.5	285.8	260.0	60.0	5.0
3-1/2"	14.961	5.512	0.098	13.69	12.598	2.992	0.197
	380.0	140.0	2.5	347.6	320.0	76.0	5.0
4"	14.961	5.512	0.098	13.685	12.598	2.992	0.197
	380.0	140.0	2.5	347.6	320.0	76.0	5.0



RLC

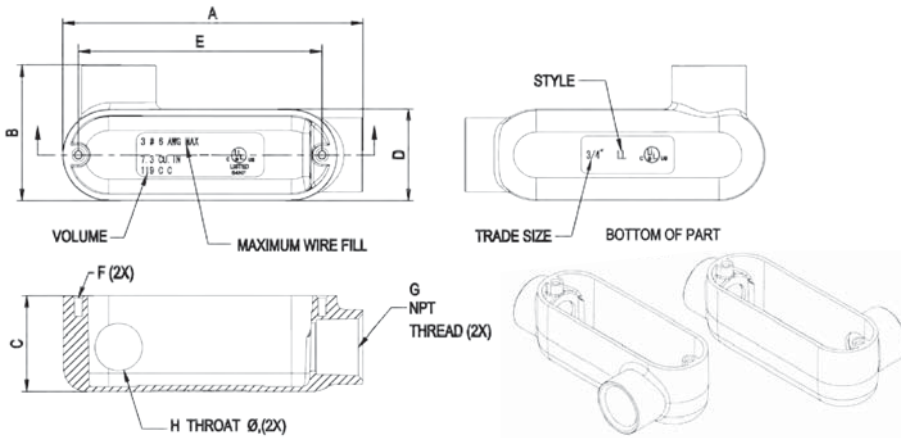
TRADE SIZE	CATALOG NUMBER	A	B	C	D ±0.010 [.25]	E TAPPED HOLES	F NPT THREAD	G THROAT DIA +0/-0.020[0.51]	VOLUME	MAXIMUM WIRE FILL
1/2"	RLC050	4.72	1.34	1.36	3.500	#8-32UNC-2B	1/2-14NPT	0.612	4.3 CU.IN	
		119.9	34.0	34.5	88.90			15.54	70 CC	
3/4"	RLC075	5.51	1.56	1.63	4.125	#8-32UNC-2B	3/4-14NPT	0.814	7.3 CU.IN	3 # 6 AWG MAX
		140.0	39.6	41.3	104.78			20.68	119 CC	
		1.039	12.0 CU.IN							
1"	RLC100	6.46	1.82	1.89	4.830	#8-32UNC-2B	1-11 1/2NPT	1.039	12.0 CU.IN	3 # 4 AWG MAX
1-1/4"	RLC125	164.1	46.2	48.0	122.68	#12-24UNC-2B	1-1/4-11 1/2NPT	26.39	196 CC	3 # 2 AWG MAX
		8.35	2.51	2.50	6.500			1.370	32.3 CU.IN	
		212.1	63.8	63.5	165.10			34.80	529 CC	
1-1/2"	RLC150	8.35	2.51	2.50	6.500	#12-24UNC-2B	1-1/2-11 1/2NPT	1.600	34.2 CU.IN	3 # 2 AWG MAX
		212.1	63.8	63.5	165.10			40.64	560 CC	
		2.057	71.4 CU.IN							
2"	RLC200	10.55	3.19	3.41	8.562	#12-24UNC-2B	2-11 1/2NPT	2.057	71.4 CU.IN	3 # 2/0 MAX
2-1/2"	RLC250	268.0	81.0	86.6	217.47	#5/16UNC-2B	2-1/2-8NPT	52.25	1170 CC	3 # 4/0 MAX
		13.46	4.49	3.98	11.250			2.459	157.4 CU.IN	
		341.9	114.0	101.1	285.75			62.46	2579 CC	
3"	RLC300	13.46	4.49	4.53	11.250	#5/16UNC-2B	3-8NPT	3.058	179.8 CU.IN	3 # 250 MAX
3-1/2"	RLC350	341.9	114.0	115.1	285.75	#5/16UNC-2B	3-1/2-8NPT	77.67	2946 CC	3 # 250 MAX
		16.30	5.55	5.59	13.687			3.538	323.0 CU.IN	
		414.0	141.0	142.0	347.65			89.87	5293 CC	
4"	RLC400	16.30	5.55	5.59	13.687	#5/16UNC-2B	4-8NPT	4.016	323.0 CU.IN	3 # 250 MAX
		414.0	141.0	142.0	347.65			102.01	5293 CC	



DETAILED DRAWINGS

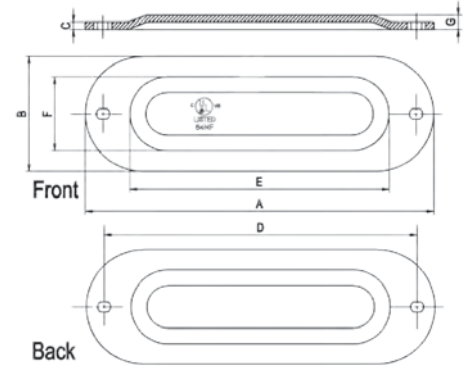
RLL

TRADE SIZE	CATALOG NUMBER	A	B	C	D	E ±0.010(.25)	F TAPPED HOLES	G NPT THREAD	H THROAT DIA +0/-0.020(0.51)	VOLUME	MAXIMUM WIRE FILL
1/2"	RLL050	4.31	2.03	1.36	1.34	3.500	#8-32UNC-2B	1/2-14NPT	0.612	4.3 CU.IN	
		109.5	51.6	34.5	34.0	88.90			15.54	70 CC	
3/4"	RLL075	5.08	2.30	1.63	1.56	4.125	#8-32UNC-2B	3/4-14NPT	0.814	7.3 CU.IN	3 # 6 AWG MAX
		129.0	58.4	41.3	39.6	104.78			20.68	119 CC	
1"	RLL100	5.92	2.68	1.89	1.82	4.830	#8-32UNC-2B	1-11 1/2NPT	1.039	12.0 CU.IN	3 # 4 AWG MAX
		150.4	68.1	48.0	46.2	122.68			26.39	196 CC	
1-1/4"	RLL125	7.82	3.52	2.50	2.51	6.500	#12-24UNC-2B	1-1/4-11 1/2NPT	1.370	32.3 CU.IN	3 # 2 AWG MAX
		198.6	89.4	63.5	63.8	165.10			34.80	529 CC	
1-1/2"	RLL150	7.82	3.52	2.50	2.51	6.500	#12-24UNC-2B	1-1/2-11 1/2NPT	1.600	34.2 CU.IN	3 # 2 AWG MAX
		198.6	89.4	63.5	63.8	165.10			40.64	560 CC	
2"	RLL200	10.05	4.27	3.41	3.19	8.562	#12-24UNC-2B	2-11 1/2NPT	2.057	71.4 CU.IN	3 # 2/0 MAX
		255.3	108.5	86.6	81.0	217.47			52.25	1170 CC	
2-1/2"	RLL250	12.83	5.89	3.98	4.49	11.250	#5/16UNC-2B	2-1/2-8NPT	2.459	157.4 CU.IN	3 # 4/0 MAX
		325.9	149.6	101.1	114.0	285.75			62.46	2579 CC	
3"	RLL300	12.83	5.89	4.53	4.49	11.250	#5/16UNC-2B	3-8NPT	3.058	179.8 CU.IN	3 # 250 MAX
		325.9	149.6	115.1	114.0	285.75			77.67	2946 CC	
3-1/2"	RLL350	15.65	7.66	5.59	5.55	13.687	#5/16UNC-2B	3-1/2-8NPT	3.538	323.0 CU.IN	3 # 250 MAX
		397.5	194.6	142.0	141.0	347.65			89.87	5293 CC	
4"	RLL400	15.65	7.66	5.59	5.55	13.687	#5/16UNC-2B	4-8NPT	4.016	323.0 CU.IN	3 # 250 MAX
		397.5	194.6	142.0	141.0	347.65			102.01	5293 CC	



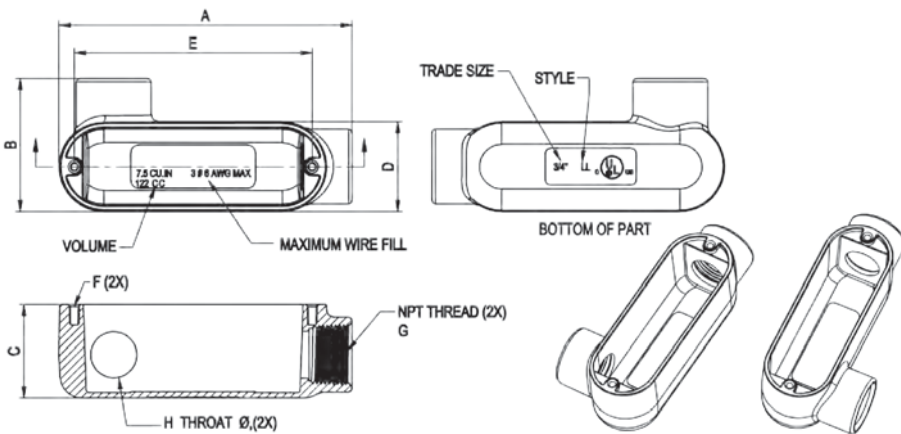
RLB/RLC/RLL/RLR/RLT (cover plate)

TRADE SIZE	A	B	C	D ± 0.02	E	F	G
1/2"	3.900	1.340	0.070	3.500	2.890	0.827	0.181
	99.1	34.0	1.8	88.9	73.4	21.0	4.6
3/4"	4.665	1.535	0.070	4.126	3.465	0.886	0.181
	118.5	39.0	1.8	104.8	88.0	22.5	4.6
1"	5.374	1.732	0.070	4.831	4.291	1.398	0.181
	136.5	44.0	1.8	122.7	109.0	35.5	4.6
1-1/4"	7.283	2.500	0.070	6.500	5.827	1.437	0.181
	185.0	63.5	1.8	165.1	148.0	36.5	4.6
1-1/2"	7.283	2.500	0.070	6.500	5.827	1.437	0.181
	185.0	63.5	1.8	165.1	148.0	36.5	4.6
2"	9.488	3.150	0.070	8.563	7.539	1.732	0.181
	241.0	80.0	1.8	217.5	191.5	44.0	4.6
2-1/2"	12.205	4.528	0.098	11.25	10.236	2.362	0.197
	310.0	115.0	2.5	285.8	260.0	60.0	5.0
3"	12.205	4.528	0.098	11.25	10.236	2.362	0.197
	310.0	115.0	2.5	285.8	260.0	60.0	5.0
3-1/2"	14.961	5.512	0.098	13.69	12.598	2.992	0.197
	380.0	140.0	2.5	347.6	320.0	76.0	5.0
4"	14.961	5.512	0.098	13.685	12.598	2.992	0.197
	380.0	140.0	2.5	347.6	320.0	76.0	5.0



RLR

TRADE SIZE	CATALOG NUMBER	A	B	C	D	E ±0.010(.25)	F TAPPED HOLES	G NPT THREAD	H THROAT DIA +0/-0.020(0.51)	VOLUME	MAXIMUM WIRE FILL
1/2"	RLR050	4.31	2.03	1.36	1.34	3.500	#8-32UNC-2B	1/2-14NPT	0.612	4.3 CU.IN	
		109.5	51.6	34.5	34.0	88.90			15.54	70 CC	
3/4"	RLR075	5.08	2.30	1.63	1.56	4.125	#8-32UNC-2B	3/4-14NPT	0.814	7.3 CU.IN	3 # 6 AWG MAX
		129.0	58.4	41.3	39.6	104.78			20.68	119 CC	
1"	RLR100	5.92	2.68	1.89	1.82	4.830	#8-32UNC-2B	1-11 1/2NPT	1.039	12.0 CU.IN	3 # 4 AWG MAX
		150.4	68.1	48.0	46.2	122.68			26.39	196 CC	
1-1/4"	RLR125	7.82	3.52	2.50	2.51	6.500	#12-24UNC-2B	1-1/4-11 1/2NPT	1.370	32.3 CU.IN	3 # 2 AWG MAX
		198.6	89.4	63.5	63.8	165.10			34.80	529 CC	
1-1/2"	RLR150	7.82	3.52	2.50	2.51	6.500	#12-24UNC-2B	1-1/2-11 1/2NPT	1.600	34.2 CU.IN	3 # 2 AWG MAX
		198.6	89.4	63.5	63.8	165.10			40.64	560 CC	
2"	RLR200	10.05	4.27	3.41	3.19	8.562	#12-24UNC-2B	2-11 1/2NPT	2.057	71.4 CU.IN	3 # 2/0 MAX
		255.3	108.5	86.6	81.0	217.47			52.25	1170 CC	
2-1/2"	RLR250	12.83	5.89	3.98	4.49	11.250	#5/16UNC-2B	2-1/2-8NPT	2.459	157.4 CU.IN	3 # 4/0 MAX
		325.9	149.6	101.1	114.0	285.75			62.46	2579 CC	
3"	RLR300	12.83	5.89	4.53	4.49	11.250	#5/16UNC-2B	3-8NPT	3.058	179.8 CU.IN	3 # 250 MAX
		325.9	149.6	115.1	114.0	285.75			77.67	2946 CC	
3-1/2"	RLR350	15.65	7.66	5.59	5.55	13.687	#5/16UNC-2B	3-1/2-8NPT	3.538	323.0 CU.IN	3 # 250 MAX
		397.5	194.6	142.0	141.0	347.65			89.87	5293 CC	
4"	RLR400	15.65	7.66	5.59	5.55	13.687	#5/16UNC-2B	4-8NPT	4.016	323.0 CU.IN	3 # 250 MAX
		397.5	194.6	142.0	141.0	347.65			102.01	5293 CC	

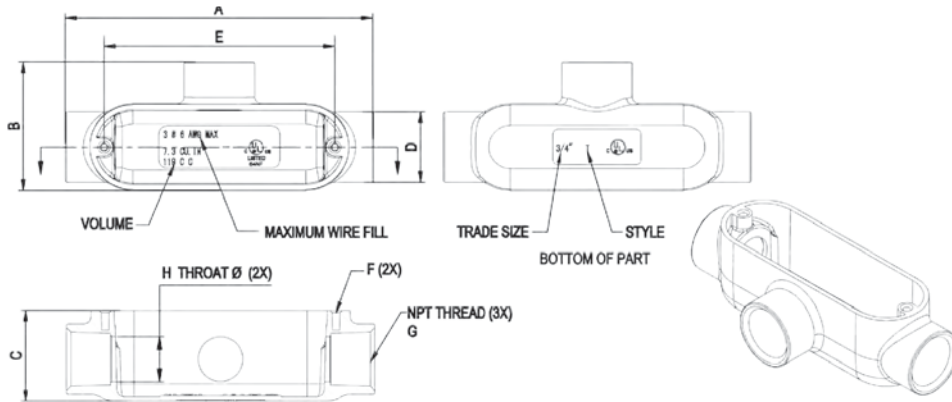


PROOF

DETAILED DRAWINGS

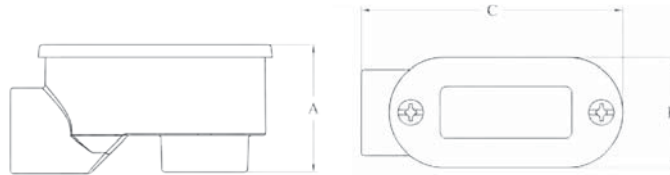
RLT

TRADE SIZE	CATALOG NUMBER	A	B	C	D	E ±0.010 (.25)	F TAPPED HOLES	G NPT THREAD	H THROAT DIA +0/-0.020(0.51)	VOLUME	MAXIMUM WIRE FILL
1/2"	RLT050	4.72	2.03	1.36	1.34	3.500	#8-32UNC-2B	1/2-14NPT	0.612	4.3 CU.IN	
		119.9	51.6	34.5	34.0	88.90			15.54	70 CC	
3/4"	RLT075	5.51	2.30	1.63	1.56	4.125	#8-32UNC-2B	3/4-14NPT	0.814	7.3 CU.IN	3 # 6 AWG MAX
		140.0	58.4	41.3	39.6	104.78			20.68	119 CC	
1"	RLT100	6.46	2.68	1.89	1.82	4.830	#8-32UNC-2B	1-11 1/2NPT	1.039	12.0 CU.IN	3 # 4 AWG MAX
		164.1	68.1	48.0	46.2	122.68			26.39	196 CC	
1-1/4"	RLT125	8.35	3.52	2.50	2.51	6.500	#12-24UNC-2B	1-1/4-11 1/2NPT	1.370	32.3 CU.IN	3 # 2 AWG MAX
		212.1	89.4	63.5	63.8	165.10			34.80	529 CC	
1-1/2"	RLT150	8.35	3.52	2.50	2.51	6.500	#12-24UNC-2B	1-1/2-11 1/2NPT	1.600	34.2 CU.IN	3 # 2 AWG MAX
		212.1	89.4	63.5	63.8	165.10			40.64	560 CC	
2"	RLT200	10.55	4.27	3.41	3.19	8.562	#12-24UNC-2B	2-11 1/2NPT	2.057	71.4 CU.IN	3 # 2/0 MAX
		268.0	108.5	86.6	81.0	217.47			52.25	1170 CC	
2-1/2"	RLT250	13.46	5.89	3.98	4.49	11.250	#5/16UNC-2B	2-1/2-8NPT	2.459	157.4 CU.IN	3 # 4/0 MAX
		341.9	149.6	101.1	114.0	285.75			62.46	2579 CC	
3"	RLT300	13.46	5.89	4.53	4.49	11.250	#5/16UNC-2B	3-8NPT	3.058	179.8 CU.IN	3 # 250 MAX
		341.9	149.6	115.1	114.0	285.75			77.67	2946 CC	
3-1/2"	RLT350	16.30	7.66	5.59	5.55	13.687	#5/16UNC-2B	3-1/2-8NPT	3.538	323.0 CU.IN	3 # 250 MAX
		414.0	194.6	142.0	141.0	347.65			89.87	5293 CC	
4"	RLT400	16.30	7.66	5.59	5.55	13.687	#5/16UNC-2B	4-8NPT	4.016	323.0 CU.IN	3 # 250 MAX
		414.0	194.6	142.0	141.0	347.65			102.01	5293 CC	

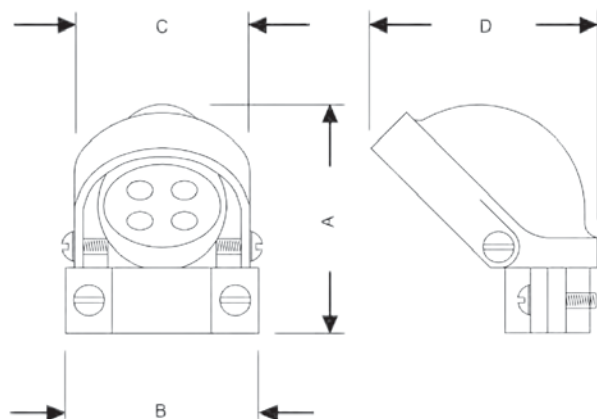


RSLB

CATALOG NUMBER	CONDUIT SIZE	A	B	C
RSLB050	1/2"	1.587	1.366	3.26
RSLB075	3/4"	1.878	1.693	3.663
RSLB100	1"	2.087	1.917	4.272
RSLB125	1-1/4"	2.579	2.39	5.506
RSLB150	1-1/2"	2.697	2.654	6.217
RSLB200	2"	3.075	3.122	6.715



NEC



Part#	Trade Size	A	B	C	D	Hole Diameter
NEC050	1"	2.205	2.217	1.929	2.835	4 Holes 0.287
NEC075	3/4"	2.323	2.500	2.165	3.189	5 Holes 0.382
NEC100	1"	2.677	2.638	2.480	3.701	3 Holes 0.492 2 Holes 0.453
NEC125	1-1/4"	3.189	3.189	2.795	4.252	3 Holes 0.638 2 Holes 0.453
NEC150	1-1/2"	3.701	3.524	3.346	5.354	3 Holes 0.803 2 Holes 0.642 1 Holes 0.492
NEC200	2"	5.197	4.350	4.488	7.126	3 Holes 1.004 2 Holes 0.768 1 Holes 0.571
NEC250	2-1/2"	6.575	6.421	6.181	10.276	3 Holes 1.311 3 Holes 0.768 1 Holes 1.004
NEC300	3"	7.205	6.870	6.181	10.276	3 Holes 1.311 3 Holes 0.870 1 Holes 1.004
NEC350	3-1/2"	7.205	7.323	7.913	12.44	3 Holes 1.756 3 Holes 1.122 1 Holes 1.122
NEC400	4"	7.205	7.815	7.913	12.44	3 Holes 1.756 3 Holes 1.122 1 Holes 1.122