

**BN4-SS SERIES ENCLOSURES
NEMA 4X JIC CLAMP COVER WALL-MOUNT**


BN4060604SS

Industry Standards

 UL 50, Types 4, 4X, 12 & 13
(6 X 6 X 4 & above)

 UL 508, Types 4, 4X, 12 & 13 (6 X 4 X
3 & smaller)

CSA Certified, Types 4 & 12

NEMA/EEMAC Type 4, 4X, 12 & 13

JIC EL-1-71

UL Files E23553, E64791

CSA File LL66078

FEATURES-SPECIFICATIONS
Applications

Provides unmatched protection for housing electrical components in highly corrosive environments. This enclosure is used in indoor and outdoor settings that are frequently wet or have constant exposure to water, other liquids, or contaminants.

Construction

- Bodies and doors fabricated from 16 gauge type 304 stainless steel
- Continuously welded seams ground smooth, less knockouts or holes

- Closed cell oil resistant neoprene gasket
- External mounting plates, top and bottom of enclosure
- Weldnuts are provided on models 6.00" x 4.00" and larger to secure optional panel
- Stainless steel screws and clamps on four sides of cover assure water-tight seal
- Grounding provisions provided
- **Optional** panels and terminal kits must be ordered separately

Finish

- Cover and outside of enclosure have a smooth grained finish
- **Optional** back panels are white polyester powder over phosphatized surfaces or grained finish stainless steel

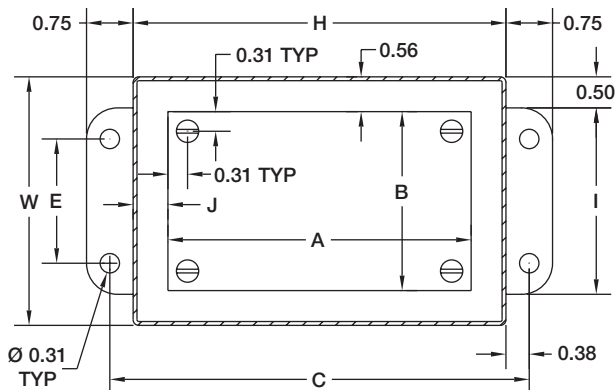
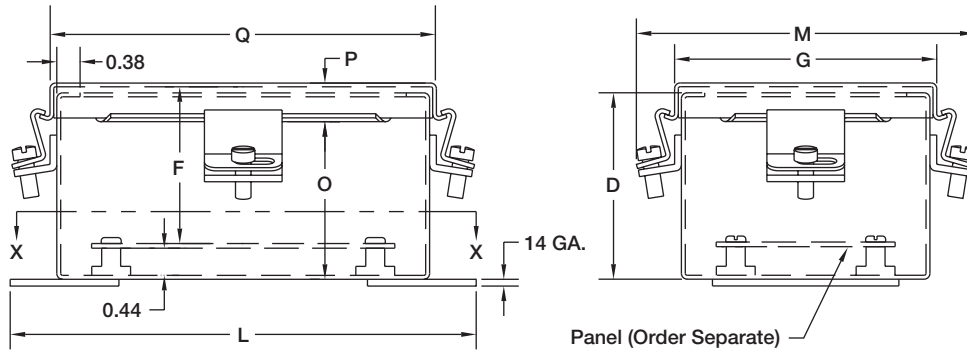
Accessories

- Back panels (reference tables)
- See pages J1-J19

BN4-SS SERIES JIC CLAMP COVER STAINLESS ENCLOSURES																
CATALOG NUMBER	BODY/DOOR STEEL GAUGE	ENCLOSURE SIZE H X W X D	BACK PANEL CATALOG NUMBER*		BACK PANEL SIZE A X B	MOUNTING C X E	OVERALL L X M	F	G	I	J	K	N	O	P	Q
			WHITE	304 S.S.												
BN4040403SS	16/16	4.00x4.00x3.00 (102x102x76)	—	—	—	4.75x2.00 (121x51)	5.50x5.63 (140x143)	2.53 (64)	4.31 (109)	3.00 (76)	—	1.38 (35)	1.38 (35)	2.53 (64)	0.63 (16)	4.31 (110)
BN4060403SS	16/16	6.00x4.00x3.00 (152x102x76)	P0604	P0604SS	4.88x2.88 (124x73)	6.75x2.00 (171x51)	7.50x5.63 (191x143)	2.53 (64)	4.31 (109)	3.00 (76)	0.56 (14)	1.38 (35)	2.38 (60)	2.53 (64)	0.63 (16)	6.31 (160)
BN4060604SS	16/16	6.00x6.00x4.00 (152x152x102)	P0606	P0606SS	4.88x4.88 (124x124)	6.75x4.00 (171x102)	7.50x7.63 (191x194)	3.53 (90)	6.31 (160)	5.00 (127)	0.56 (14)	2.38 (60)	2.38 (60)	3.53 (90)	0.63 (16)	6.31 (160)
BN4080604SS	16/16	8.00x6.00x4.00 (203x152x102)	P0806	P0806SS	6.88x4.88 (175x124)	8.75x4.00 (222x102)	9.50x7.63 (241x194)	3.53 (90)	6.31 (160)	5.00 (127)	0.56 (14)	2.38 (60)	3.38 (86)	3.53 (90)	0.63 (16)	8.31 (211)
BN4100804SS	16/16	10.00x8.00x4.00 (254x203x102)	P1008	P1008SS	8.88x6.88 (226x175)	10.75x6.00 (273x152)	11.50x9.63 (292x244)	3.53 (90)	8.31 (211)	7.00 (178)	0.56 (14)	3.38 (86)	1.50 (38)	3.53 (90)	0.63 (16)	10.31 (262)
BN4121005SS	16/16	12.00x10.00x5.00 (305x254x127)	P1210	P1210SS	10.88x8.88 (276x226)	12.75x8.00 (324x203)	13.50x11.63 (343x295)	4.53 (115)	10.31 (262)	9.00 (229)	0.56 (14)	2.00 (51)	3.00 (76)	4.53 (115)	0.63 (16)	12.31 (313)
BN4141206SS	16/16	14.00x12.00x6.00 (356x305x152)	P1412	P1412SS	12.88x10.88 (327x276)	14.75x10.00 (375x254)	15.50x13.63 (394x346)	5.53 (141)	12.31 (313)	11.00 (279)	0.56 (14)	2.00 (51)	3.00 (76)	5.53 (141)	0.63 (16)	14.31 (364)
BN4161406SS	16/16	16.00x14.00x6.00 (406x356x152)	P1614	P1614SS	14.88x12.88 (378x327)	16.75x12.00 (425x305)	17.50x15.63 (445x397)	5.53 (141)	14.31 (363)	13.00 (330)	0.56 (14)	3.50 (89)	1.50 (38)	5.53 (141)	0.63 (16)	16.31 (414)

*Back panels must be ordered separately.


WIEGMANN®



SECTION X-X

Notes:

- 1. Panels are 14 Ga. steel.
- 2. Panel Screws are #10-32 Pan Head.

CLAMP BRACKET LOCATIONS

