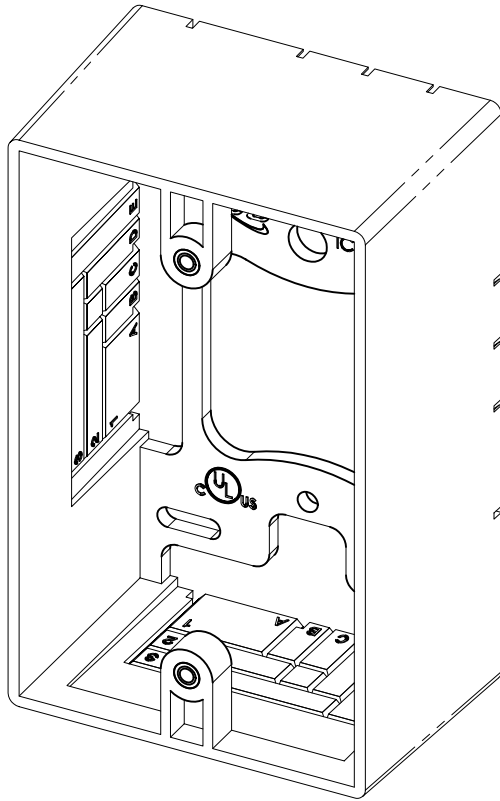


Single Gang Mounting Box

PRODUCT SPECIFICATION



Package includes:

- A. Single Gang Mounting Box, 1 pc
- B. Double Sided Adhesive Strip, 2 pcs
- C. 4" Cable Tie, 4 pcs
- D. #6-32 x 3/4" Pan Head, Sharp Point Tapping Screw, 4 pcs

Single Gang Mounting Box

Features and Benefits:

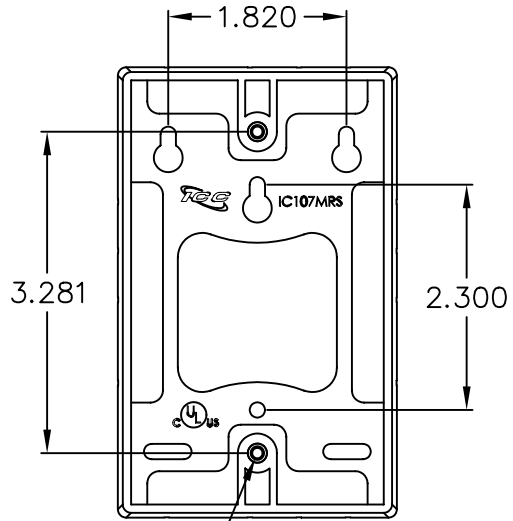
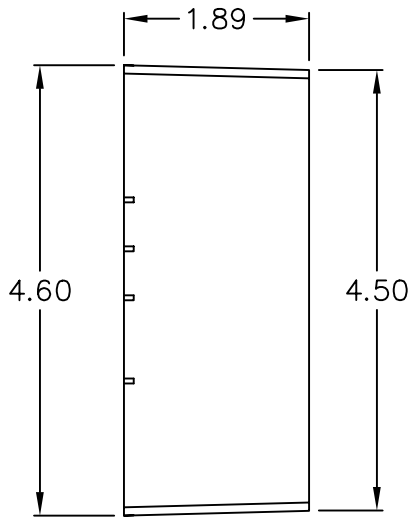
- Provides a surface mounted solution for a variety of media, including voice, data, CATV, fiber, audio and video distribution to the work area
- Fits standard NEMA single gang electrical boxes
- Multiple mounting options including adhesive backings and screws
- Integrated internal routing posts and cable management system with evenly spaced cable tie anchor points
- Rear cable entry for clean external appearance
- Rugged and durable construction
- Raceway knockouts integrate with raceway systems
- Used with ICRW11, ICRW12, and ICRW13 raceway systems
- Accommodates all ICC faceplates
- Available in ivory and white
- UL listed

MOUNTING BOX, 1-GANG

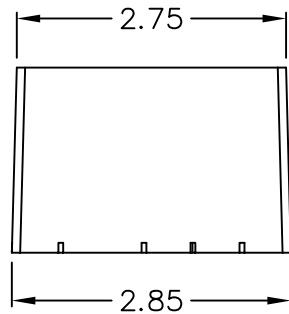
ITEM NO.	IC107MRSXX	REV.	B
DWG NO.	PS107MRS00	PAGE NO.	1



CUSTOMER CARE / TECHNICAL SUPPORT * CSR@ICC.COM / 888-ASK-4-ICC (275-4422) * 14700 Alondra Blvd., La Mirada, CA 90638 * www.icc.com




2X #6-32 THREADED BRASS INSERT



NOTE: UNLESS OTHERWISE SPECIFIED

1. MATERIAL: ABS, UL 94V-0
2. SURFACE FINISHING: TEXTURE
3. COLOR: XX: IV-IVORY & WH-WHITE
4. KNOCKOUT DIMENSIONS: .80"X.55", 1.30"X.85", & 1.80"X1.05"

UL US FILE NO. 125268

MOUNTING BOX, 1-GANG		 <i>PremiumProducts</i> <i>ProvenPerformance</i> <i>CompetitivePrices</i>	
ITEM NO.	IC107MRSXX		REV. B
DWG NO.	PS107MRS00		PAGE NO. 2

CUSTOMER CARE / TECHNICAL SUPPORT * CSR@ICC.COM / 888-ASK-4-ICC (275-4422) * 14700 Alondra Blvd., La Mirada, CA 90638 * www.icc.com