

MASS:
 CAT. NO.:SEE DRAWING

TOLERANCES-UNLESS OTHERWISE SPECIFIED
 2 PL. DEC. ±.015 TRUE C.L. ±.015
 3 PL. DEC. ±.015 ANGLES ±1

DWG. NO. -00
R2367 -01
 SHEET 1 OF 1

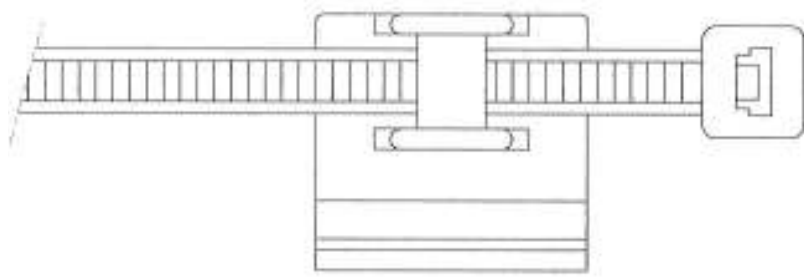


DRAWN BY: CLH SCALE: NONE
 DATE: 12/12/2012 SIZE: A

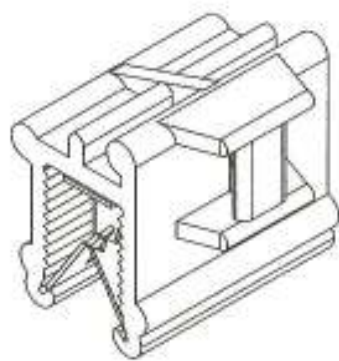
REV.	DESCRIPTION
B	

CAT #: SEE CHART

R2367-01
 CLIP WITH CABLE TIE
 CATALOG NUMBER SC8-CTUV50



R2367-00
 CLIP ONLY
 CATALOG NUMBER SC8



CABLE TIE EXPLANATION					
CATALOG NUMBER	PART NUMBER	LENGTH	WIDTH	TENSIL STRENGTH	BUNDLE DIAMETER
SC8-CTUV50	R2367-01	7.874	.189 LBS	50 LBS	2.51