



Color: White



NEMA: 5-15R



16242-W

Description

15 Amp, 125 Volt, NEMA 5-15R, 2P, 3W, Decora Plus Duplex Receptacle, Straight Blade, Commercial Grade, Self Grounding, , Side Wired, Steel Strap, - White

Product Features

Grounding: Self Grounding

Amperage: 15 Amp

Voltage: 125 Volt

NEMA: 5-15R

Pole: 2

Wire: 3

Termination: Side

Face Material: Thermoplastic Nylon

Body Material: Thermoplastic Nylon

Strap Material: Steel

Color: White

Standards and Certifications: UL/CSA

Warranty: 10 Year Limited

Features and Benefits

- Heavy-gauge zinc-plated steel locked-on wrap-around strap
- Terminal screws accept up to No. 10 copper or copper-clad wire, solid or stranded
- Labor-saving self-grounding clip
- Heavy-duty triple-wipe brass contacts for long service life
- Impact resistant thermoplastic construction
- Backed by a Limited 10-Year Warranty

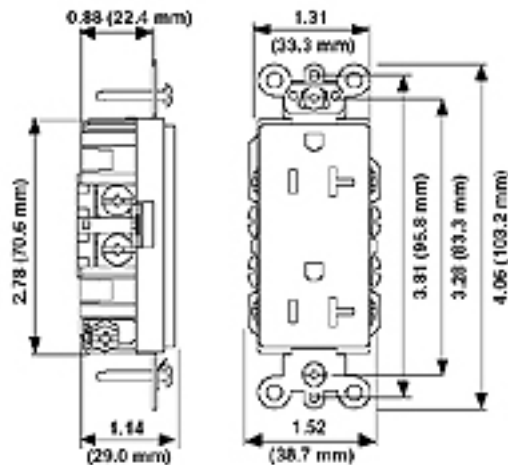
AC Horsepower Ratings	
At Rated Voltage	1/2 HP
Environmental Specifications	
Flammability	Rated V-2 per UL94
Operating Temperature	-40C to 60C
Mechanical Specifications	
Terminal ID	Brass-Hot, Green-Ground, White-Neutral
Terminal Accom.	14-10 AWG
Product ID	Ratings are permanently marked on device

Electrical Specifications	
Dielectric Voltage	Withstands 2000V per UL498
Current Limiting	Full Rated Current
Temperature Rise	Max 30C after 250 cycles OL at 200 percent rated current

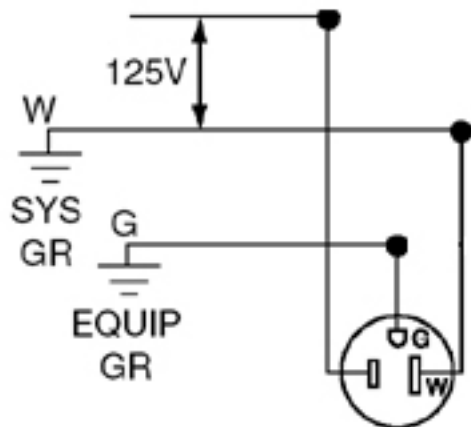
Material Specifications	
Face Material	Thermoplastic Nylon
Body Material	Thermoplastic Nylon
Line Contacts	Brass Triple-Wipe .031 Thick
Terminal Screws	Brass 10-32
Grounding Screw	Brass 8-32
Yoke	Zinc-Plated Steel
Clamp Nuts	Zinc-Plated Steel
Ground Clips	Brass-Plated

Standards and Certifications	
NEMA	WD-6
ANSI	C-73
UL498	File E13399
CSA C22.2 No. 42	File LR-406
NOM	057

Dimensional Diagram



Wiring Diagram



5-15R

SPECIFICATION SUBMITTAL

JOB NAME: <input type="text"/>	CATALOG NUMBERS: <input type="text"/>	<input type="text"/>
JOB NUMBER: <input type="text"/>	<input type="text"/>	<input type="text"/>

Leviton Manufacturing Co., Inc.

59-25 Little Neck Parkway, Little Neck, NY 11362-2591

Telephone: 1-800-323-8920 · FAX: 1-800-832-9538 · Tech Line (8:30AM-7:30PM E.S.T. Monday-Friday): 1-800-824-3005

Leviton Manufacturing of Canada, Ltd.

165 Hymus Boulevard, Pointe Claire, Quebec H9R 1E9 · Telephone: 1-800-469-7890 · FAX: 1-800-824-3005

Leviton S. de R.L. de C.V.

Lago Tana 43, Mexico DF, Mexico CP 11290 · Tel.: (+52)55-5082-1040 · FAX: (+52)5386-1797 · www.leviton.com.mx



Visit our Website at: www.leviton.com

©2007 Leviton Manufacturing Co., Inc. All rights reserved. Subject to change without notice.