

# evr-green™ 120 Portable Charger

For General Purpose Electric Vehicle Charging  
at Home or On-The-Road



Leviton's Evr-Green™ Portable Charger provides the most flexibility for charging your electric vehicle. It can be plugged into any standard 15A receptacle found in just about any house, building or public facility. You won't need to worry about limiting the distance of your trip based on the range of a single charge!

## Features and Benefits

- "Level 1" Charge System, allowing recharge from any standard household receptacle
- Built-in communication verifies proper connections before charging can begin
- "Auto-Restart" feature enables charging to restart following a minor fault, thereby reducing the chance of being stranded with a low state of battery charge
- Selectable charge rate: 7 AMP to minimize the risk of circuit overload; 12 AMP for faster charging
- Weatherproof enclosure provides for indoor and outdoor use
- Enclosure constructed of an environmentally responsible PBT resin that features up to 85% lower carbon footprint than other thermoplastics
- Cord Management for easy storage
- Charge Connector docks into unit for easy storage
- Light weight and easy to carry with you anywhere utilizing built in handle
- Compatible with all EVSE Standards and Recommended Practices
- Patent pending



## Specifications

Electrical Input	
Amperage	7A/12A
Voltage	120V
Plug Configuration	NEMA 5-15P
Electrical Output	
Power	0.8kW (7A @ 120V)/ 1.4kW (12A @ 120V)
Charging Connector	SAE J1772™ Charge Connector on 18' cable
Material Specifications	
Enclosure	Valox iQ™ PBT
Charge Connector Cord	UL Type EV
Environmental Specifications	
Operating Temperature	-35°C to 50°C
Storage Temperature	-50°C to 80°C
Enclosure	NEMA Type 4
Standards & Certifications	
UL 62	Standard for Flexible Cords and Cables
UL 991	Standard for Tests for Safety-Related Controls Employing Solid-State Devices
UL 1998	Standard for Software in Programmable Components
UL 2231	Standard for Personnel Protection Systems for Electric Vehicle (EV) Supply Circuits
UL 2251	Standard for Plugs, Receptacles and Couplers for Electric Vehicles
UL 2594	Outline of Investigation for Electric Vehicle Supply Equipment
NEC Article 625	Electric Vehicle Charging System Equipment
SAE J1772™	Electric Vehicle Conductive Charge Coupler Standard

## Ordering Information

Cat. No.	Description
EVC11-300	Evr-Green™ Portable Charger, Level 1

### Leviton Manufacturing Co., Inc.

201 N Service Rd, Melville, NY 11747

### Leviton Manufacturing of Canada, Ltd.

165 Hymus Blvd, Pointe-Claire, QC H9R 1E9

### Leviton S. de R.L. de C.V.

Lago Tana 43, Col. Huichapan, Miguel Hidalgo, CP 11290 México DF

For more information call - **1-877-338-7473** or visit us at [leviton.com/evrgreen](http://leviton.com/evrgreen)

© 2011 Leviton Manufacturing Co., Inc. All rights reserved.

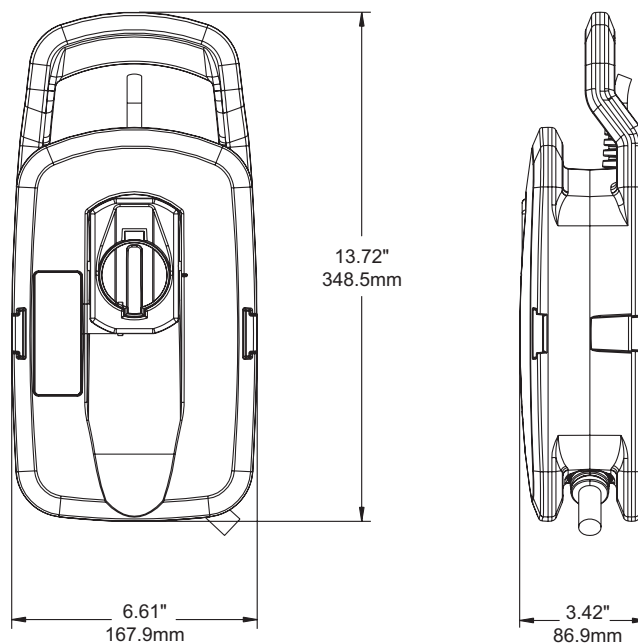
Preliminary specifications; subject to change without notice.

Valox iQ is a trademark of SABIC Innovative Plastics. J1772 is a trademark of SAE International.

## Features



## Dimensions



Q-543B