



**Color:** Black



## MS302

### Description

30 Amp, 600 Volt, Toggle Double-Pole AC Motor Starting Switch, Industrial Grade, Non-Grounding, Side Wired, - Black

### Product Features

Grounding: Non-Grounding

Amperage: 30 Amp

Voltage: 600 Volt

HP Rating: 2HP-120V 5HP-240V 10HP-480V 15HP-600V

Termination: Side

Actuator Material: Valox

Body Material: Rynite

Strap Material: Nickel-Plated Brass

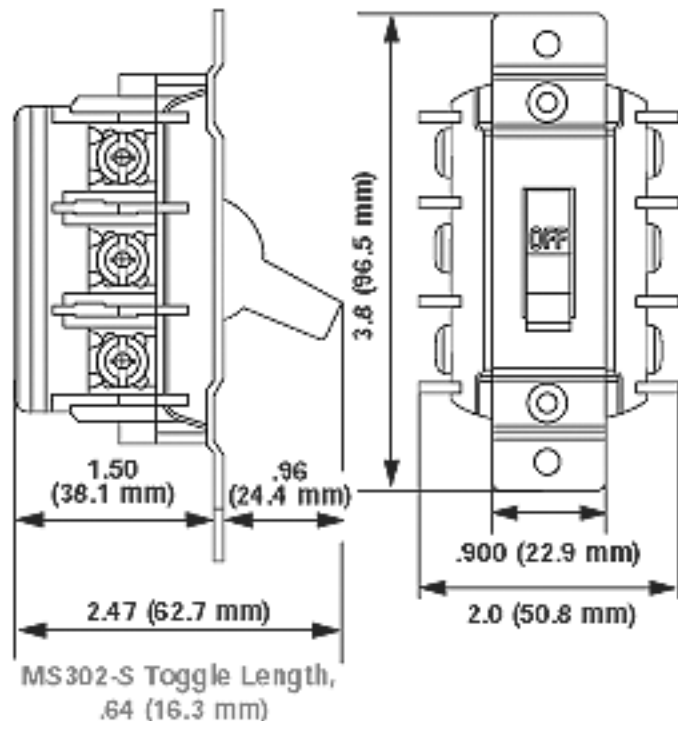
Color: Black

Standards and Certifications: UL/cUL

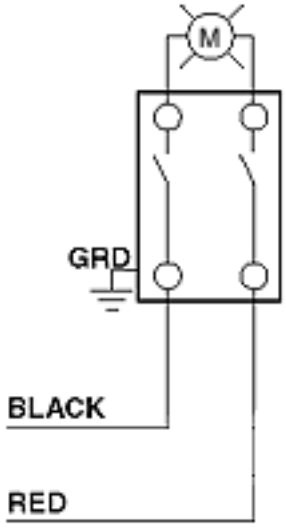
Warranty: 10 Year Limited

### Features and Benefits

- All molded parts are thermoplastic to resist impacts, chemicals, temperature, tracking and arcing
- Positive-contact design enhances fast-make/slow-break
- Silver-alloy contacts for maximum conductivity and service life
- Back and side wire terminals accept up to #10 AWG solid copper wire. For stranded #8 AWG wire, remove terminal clamp and use ring terminal
- Oversized #10 triple-combination terminal screws are vibration resistant
- Insulating barrier between terminals provide isolation from each phase
- Nickel-plated brass mounting yoke for superior corrosion resistance
- Large toggle provides positive actuation, even with gloved hand
- Backed by a Limited Ten-Year Warranty



**Wiring Diagram  
Double Pole**



**SPECIFICATION SUBMITTAL**

|                      |                      |                      |
|----------------------|----------------------|----------------------|
| JOB NAME:            | CATALOG NUMBERS:     |                      |
| <input type="text"/> | <input type="text"/> | <input type="text"/> |
| JOB NUMBER:          | <input type="text"/> | <input type="text"/> |

**Leviton Manufacturing Co., Inc.**

59-25 Little Neck Parkway, Little Neck, NY 11362-2591

Telephone: 1-800-323-8920 · FAX: 1-800-832-9538 · Tech Line (8:30AM-7:30PM E.S.T. Monday-Friday): 1-800-824-3005

**Leviton Manufacturing of Canada, Ltd.**

165 Hymus Boulevard, Pointe Claire, Quebec H9R 1E9 · Telephone: 1-800-469-7890 · FAX: 1-800-824-3005

**Leviton S. de R.L. de C.V.**

Lago Tana 43, Mexico DF, Mexico CP 11290 · Tel.: (+52)55-5082-1040 · FAX: (+52)5386-1797 · [www.leviton.com.mx](http://www.leviton.com.mx)

**Visit our Website at: [www.leviton.com](http://www.leviton.com)**

©2007 Leviton Manufacturing Co., Inc. All rights reserved. Subject to change without notice.

