

POST TOP RETROFITS 360° OMNI DIRECTIONAL DESIGN



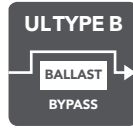
VOLTAGE



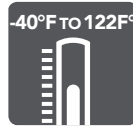
MEDIUM + MOGUL BASES



DIMMING



INSTALL METHOD



OPERATING TEMP



ACTIVE COOLING



SURGE PROTECTION



CRI



RATED LIFE



WARRANTY

SuperFlex post tops



- LED-8024: switch between 35W, 45W, and 60W replacing up to 320W HID.
- LED-8027: switch between 80W, 100W, and 110W replacing up to 400W HID.
- Change color temperatures with a flip of a switch (3000K, 4000K, 5000K).
- Advanced Active Cooling. Energetic cooling fan & dynamic temp control supports a longer, brighter life.
- Multi-directional mounting capability & 360° design. Use base down, base up or base sideways without affecting performance.
- Pretested & potted drivers are burnt in 3x prior to shipping and protected against vibration & moisture.
- Expertly engineered to work efficiently in enclosed fixtures & damp environments, while also protected against insects & dust.
- Dual stage MOV protection with integrated 6kA surge.
- Dimmable - Stepped dimming with other wired control communication.
- Field adjustable light output.

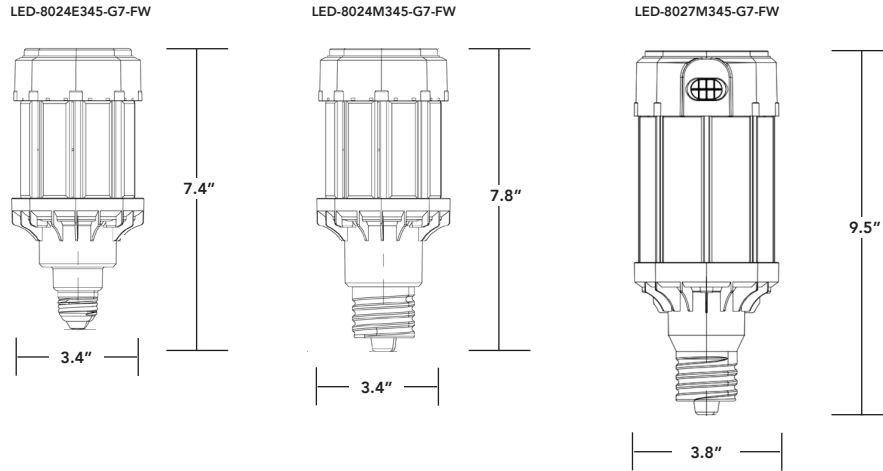
PART #	UPC	REPLACES	WATTAGE	LUMENS	CCT	BASE
LED-8024E345-G7-FW	844006060718	175W-250W-320W	35W-45W-60W	5140-8870	3000K/4000K/5000K	E26
LED-8024M345-G7-FW	844006060725	175W-250W-320W	35W-45W-60W	5140-8870	3000K/4000K/5000K	EX39
LED-8027M345-G7-FW	844006060756	320W-400W	80W-100W-110W	11370-15730	3000K/4000K/5000K	EX39



LIGHT EFFICIENT DESIGN HEADQUARTERS 188 S. Northwest Highway • Cary, IL 60013
 INNOVATION & MANUFACTURING CENTER 30 Log Bridge Road, Building 200 • Middleton, MA 01949
 847.380.3540 • led-llc.com

04.27.21 Information is subject to change without notice.

POST TOP RETROFITS 360° OMNI DIRECTIONAL DESIGN



ORDERING GUIDE

PART #	UPC	REPLACES	WATTAGE	CCT	BASE
LED-8024E345-G7-FW	844006060718	175W-250W-320W	35W - 45W - 60W	3000K/4000K/5000K	E26
LED-8024M345-G7-FW	844006060725	175W-250W-320W	35W - 45W - 60W	3000K/4000K/5000K	EX39
LED-8027M345-G7-FW	844006060756	320W-400W	80W - 100W - 110W	3000K/4000K/5000K	EX39

347 VOLT OPTIONS FOR CANADA

PART #	UPC	REPLACES	WATTAGE	CCT	BASE
LED-8024E345C-G7-FW	844006060732	175W-250W-320W	35W - 45W - 60W	3000K/4000K/5000K	E26
LED-8024M345C-G7-FW	844006060749	175W-250W-320W	35W - 45W - 60W	3000K/4000K/5000K	EX39
LED-8027M345C-G7-FW	844006060763	320W-400W	80W - 100W - 110W	3000K/4000K/5000K	EX39

LUMENS: LED-8024E345-G7-FW

WATTAGE	CCT	LUMENS
35W	3000K	5140
35W	4000K	5290
35W	5000K	5360
45W	3000K	6200
45W	4000K	6510
45W	5000K	6620
60W	3000K	8440
60W	4000K	8790
60W	5000K	8870

LUMENS: LED-8024M345-G7-FW

WATTAGE	CCT	LUMENS
35W	3000K	5140
35W	4000K	5290
35W	5000K	5360
45W	3000K	6200
45W	4000K	6510
45W	5000K	6620
60W	3000K	8440
60W	4000K	8790
60W	5000K	8870

LUMENS: LED-8027M345-G7-FW

WATTAGE	CCT	LUMENS
80W	3000K	10780
80W	4000K	11290
80W	5000K	11370
100W	3000K	13800
100W	4000K	14270
100W	5000K	14350
110W	3000K	15080
110W	4000K	15690
110W	5000K	15730



LIGHT EFFICIENT DESIGN HEADQUARTERS 188 S. Northwest Highway • Cary, IL 60013
 INNOVATION & MANUFACTURING CENTER 30 Log Bridge Road, Building 200 • Middleton, MA 01949
 847.380.3540 • led-llc.com