

LED WRAP FIXTURE

DESCRIPTION

The LED Wrap Fixture is a modern, energy-efficient linear lighting solution that delivers uniform, high-quality light distribution, optimal energy usage and zero maintenance.

Designed with versatility in mind, the fixture includes adjustable color temperature as well as adjustable wattage, allowing the installer to fine-tune the fixture to better meet the needs of the application.

This Wrap Fixture is perfect for new construction or for renovation projects; at 8" wide, it'll replace existing fluorescent strip fixtures and hide any ceiling blemishes created by the original fixture. The lightweight, two-piece design makes installation quick and easy, reducing overall project time.



FEATURES

- Adjustable color temperature (3500K, 4000K, 5000K)
- Adjustable light output/wattage
- 130 lumens per watt (lm/W)
- DLC Premium
- ETL rated for damp locations
- 10-year warranty
- 100,000-hour rated life (@L70)
- 0-10V dimming (0% minimum)
- Polycarbonate frosted lens

SPECIFICATIONS

- Input voltage: 120-277V
- Operating temp: -4°F – 113°F
- Beam angle: 120°
- CRI: >80
- Lumens per Watt: 130
- Surge protection: 2KV
- Power factor: > 0.9
- THD (Max): <20
- Input frequency: 50/60
- IP rating: 20
- Average rated life (@L70): 100,000-hours
- Warranty: 10-years
- ETL listed: Yes
- Location rating: Damp
- DLC rating: Premium
- RoHS Compliant: Yes

APPLICATIONS

- Commercial
- Industrial
- Retail
- Manufacturing
- Warehouse
- Display
- Corridors

DIMENSIONS

| SIZE | LENGTH | WIDTH | HEIGHT | WEIGHT |
|------|--------|-------|--------|----------|
| 4' | 47" | 8.1" | 2.8" | 5.68 lbs |



MOUNTING

- Surface

CERTIFICATIONS



ORDERING

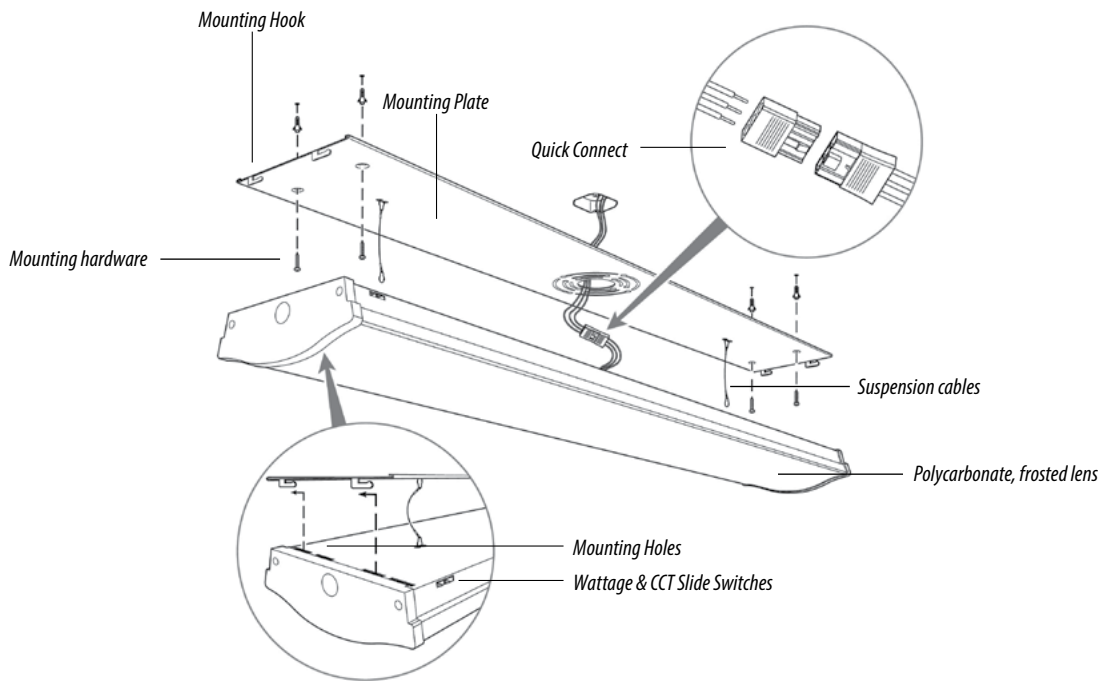
Listed below are the included wattage settings and lumens for each model number.

| ROOT MODEL # | DESCRIPTION | | | ORDERING CODE | DESCRIPTION | USAGE |
|--------------|------------------------------------|--------|------|---------------|-----------------------------------|---|
| WFS4 | 4' Tunable LED Wrap Fixture | | | | | |
| EXT. MODEL # | WATTS | LUMENS | CCT | | | |
| WFS43515 | 15 | 1,950 | 3500 | EB10 | 10W Emergency Battery Backup | Supplies battery backup to an individual fixture for up to 90 minutes. <u>Must be ordered with EBCM or EBAM indicator module.</u> |
| WFS44015 | 15 | 1,950 | 4000 | EBCM | Ceiling-mounted Indicator Module | In grid ceiling applications, this unit connects to the EB10 and is recess mounted in an adjacent panel where it displays the unit's current status of operation. |
| WFS45015 | 15 | 1,950 | 5000 | EBAM | Adhesive-mounted Indicator Module | In drywall/open ceiling applications, this unit connects to the EB10 and is mounted via adhesive, where it displays the unit's current status of operation. |
| WFS43525 | 25 | 3,250 | 3500 | | | |
| WFS44025 | 25 | 3,250 | 4000 | | | |
| WFS45025 | 25 | 3,250 | 5000 | | | |
| WFS43530 | 30 | 3,900 | 3500 | | | |
| WFS44030 | 30 | 3,900 | 4000 | | | |
| WFS45030 | 30 | 3,900 | 5000 | | | |
| WFS43540 | 40 | 5,200 | 3500 | | | |
| WFS44040 | 40 | 5,200 | 4000 | | | |
| WFS45040 | 40 | 5,200 | 5000 | | | |



Each extended model # is individually listed with DLC.

OVERVIEW AND INSTALLATION



HAVE QUESTIONS?

Our Customer Service team can help. Call us at 800-860-3392 or send an email to customerservice@litetronics.com