

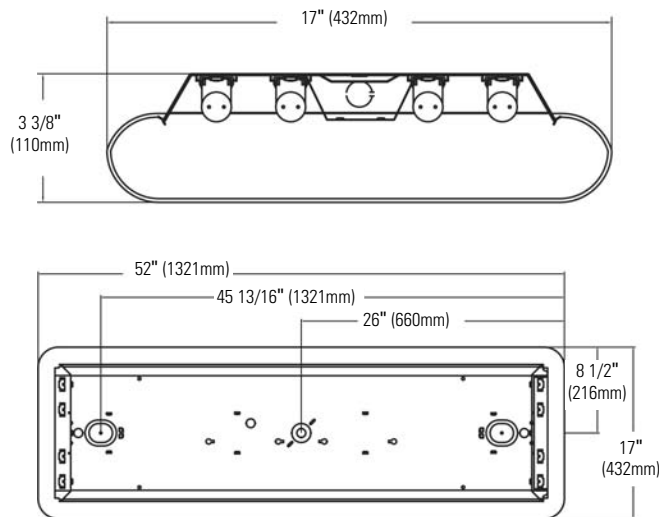
### Features

- Excellent for lighting Cafeterias, Small Offices, Corridors, Kitchens and Family Rooms.
- One piece white opal acrylic diffuser with softly contoured edges.
- Only 3 3/8" deep
- Lightshield opens and hinges from either side.
- Complete fixture consists of a diffuser and chassis.
- Zip-clip flush mount on T-grid ceilings.
- Off-center 7/8" K.O. for flush mount to T-grid ceiling.
- Not suitable for row mounting.
- Universal Belmont Series chassis compatible with:
  - Belmont Spill Frame shielding
  - Belmont I shielding
  - Belmont II shielding
- Chassis shipped separate from diffuser.
- Specify and order each item separately.

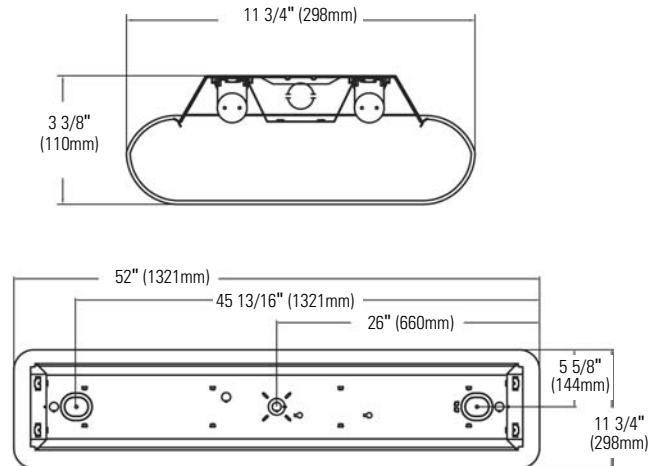


### Dimensions

#### 2' X 4'



#### 1' X 4'



### Job Information

### Type:

**Job Name:**

**Cat. No.:**

**Lamp(s):**

**Volts/Ballast:**

For Factory Technical Information: (978) 657-7600 • Fax (978) 658-0595  
 631 Airport Road, Fall River, MA 02720 • (508) 679-8131 • Fax (508) 674-4710  
 We reserve the right to change details of design, materials and finish.  
 www.lightolier.com © 2008 a Philips Group

04/08

**Section 3A/Folio H10-20**

### Ordering Information: 2' X 4'

Chassis Code:

<b>BE</b>	<b>2</b>	<input type="text"/>	<b>4</b>	<b>32</b>	<b>UNV</b>	<input type="text"/>	<input type="text"/>
Belmont Cloud Architectural Fluorescent	Fixture Width: 2 = 17" wide	Body Finish: W = White B = Black	Lamp Quantity 4 = 4 Lamp T8	Lamp: (By Others) 32 = T8 32W (Nominal 24")	Voltage: UNV=120-277	Ballast Type: Add appropriate suffix to catalog no., ie: (GLR) Consult factory for additional options	Options: Add appropriate suffix to catalog no., ie: (GLR) Consult factory for additional options

**NOTE:** Chassis and shielding are packed in separate cartons.  
When ordering, enter as separate line items.

Length	Shielding	Chassis	Finish	Lamp	Ballast	10THD
4'	<b>10327</b>	<b>BE2B432UNVH4</b>	Black	4-T8	1 - 4 Lamp Elec. (32 Watt)	<b>H4</b>
4'	<b>10327</b>	<b>BE2W432UNVH4</b>	White	4-T8	1 - 4 Lamp Elec. (32 Watt)	<b>H4</b>
4'	<b>10327</b>	<b>BE2B432UNVHI</b>	Black	4-T8	2 - 2 Lamp Elec. (32 Watt)	<b>HI</b>
4'	<b>10327</b>	<b>BE2W432UNVHI</b>	White	4-T8	2 - 2 Lamp Elec. (32 Watt)	<b>HI</b>

Ballast Type:  
 <10THD  
 H4†  
 HI†  
 PS  
 †Instant Start (UNV)

### Ordering Information: 1' X 4'

Chassis Code:

<b>BE</b>	<b>1</b>	<input type="text"/>	<b>2</b>	<b>32</b>	<b>UNV</b>	<input type="text"/>	<input type="text"/>
Belmont Cloud Architectural Fluorescent	Fixture Width: 1 = 13-3/4" wide	Body Finish: W = White B = Black	Lamp Quantity 2 = 2 Lamp T8	Lamp: (By Others) 32 = T8 32W (Nominal 24")	Voltage: UNV=120-277	Ballast Type: Add appropriate suffix to catalog no., ie: (GLR) Consult factory for additional options	Options: Add appropriate suffix to catalog no., ie: (GLR) Consult factory for additional options

**NOTE:** Chassis and shielding are packed in separate cartons.  
When ordering, enter as separate line items.

Length	Shielding	Chassis	Finish	Lamp	Ballast	10THD
4'	<b>10325</b>	<b>BE1B232UNVHI</b>	Black	2-T8	1 - 2 Lamp Elec. (32 Watt)	<b>HI</b>
4'	<b>10325</b>	<b>BE1W232UNVHI</b>	White	2-T8	1 - 2 Lamp Elec. (32 Watt)	<b>HI</b>

Ballast Type:  
 <10THD  
 HI†  
 PS  
 †Instant Start (UNV)

**NOTE:** Chassis and shielding shown are stock items.

### Specifications

**Chassis Materials** - Chassis parts are cold rolled die-formed code gauge steel.

**Chassis Finish:** Exterior - black or white baked polyester enamel. Cavity- white baked polyester enamel minimum 86% reflectance. Phosphate undercoating.

**Lens:** One-piece vacuum formed white opal acrylic containing 30% DR.

**Electrical:** Thermally protected class "P" ballast C.B.M. approved, no PCB. If KO is within 3" of ballast, use wire suitable for at least 90°.

**Labels:** I.B.E.W./UL and ULc Listed.

This product may have a mercury containing lamp. Manage in accord with Disposal Laws. See: [www.lamprecycle.org](http://www.lamprecycle.org)

### Job Information Type:

For Factory Technical Information: (978) 657-7600 • Fax (978) 658-0595  
 631 Airport Road, Fall River, MA 02720 • (508) 679-8131 • Fax (508) 674-4710  
 We reserve the right to change details of design, materials and finish.  
[www.lightolier.com](http://www.lightolier.com) © 2008 a Philips Group

Section 3A/Folio H10-20