

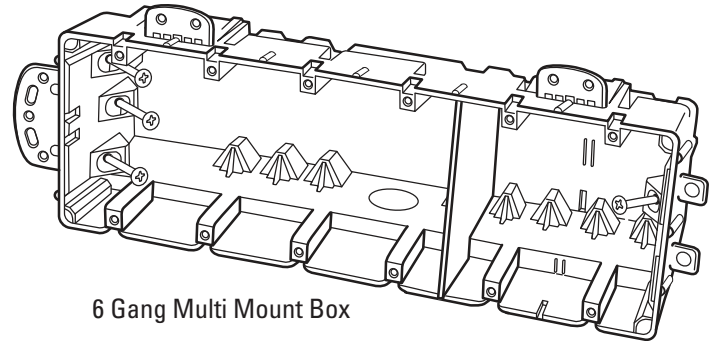


SmartBox

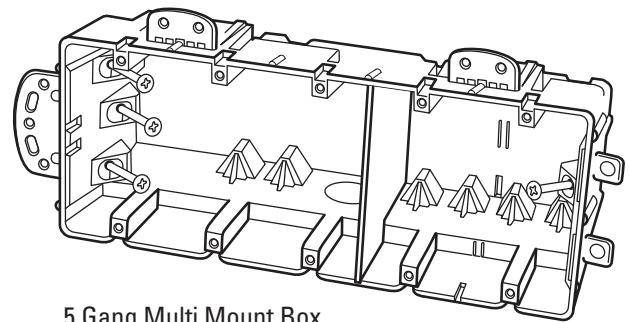
Think Inside the Box

Multi Mount Boxes

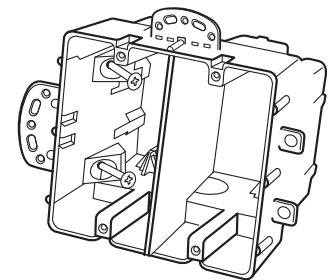
- SBMMT 2G - Volume 37 cu. in.- wire capacity (18) #14 gauge wires, (16) #12 gauge wires – This 2 gang Multi-Mount box has standard dimensions, with a depth of 3.5 inches.
- SBMMT 5G - Volume 91.5 cu. in.- wire capacity (45) #14 gauge wires, (40) #12 gauge wires – This 5 gang Multi-Mount box has standard dimensions, with a depth of 3.5 inches. Mounts vertically and horizontally.
- SBMMT 6G - Volume 110 cu. in.- wire capacity (55) #14 gauge wires, (48) #12 gauge wires – This 6 gang Multi-Mount box has standard dimensions, with a depth of 3.5 inches. Mounts vertically and horizontally.
- Manufactured from high quality Polycarbonate material
- Testing on this product was conducted and found in accordance with the Standard for Nonmetallic Outlet boxes, Flush-device boxes, and Covers, UL514C, third edition.
- Classification 32EB.
- Products protected under US Patent #s 5,600,093 and 7,378,590



6 Gang Multi Mount Box



5 Gang Multi Mount Box



2 Gang Multi Mount Box

FEATURES & BENEFITS

- Available in 2, 5 and 6 gang.
- Largest volume offered in device boxes.
- Heavy duty mounting screws supplied.
- Vertical and horizontal mounting.
- UL approved for single screw mounting, extra support bar not required.
- Extra thick wall material creates stability and rigidity in product.
- Use for flat screen TV applications and home theatre centers.

SPECIFICATIONS

Item#	Description	Width/ Tabs	Height/ Tabs	Width/ No Tabs	Height/ No Tabs	Depth	Weight (oz.)	Cubic Inch	Wire Fill (#14g)	Wire Fill (#12g)
MSBMMT2G	2 Gang Multi Mount Box	5.50	5	4	3.88	3.5	5.5	37	18	16
MSBMMT5G	5 Gang Multi Mount Box	11	4.5	9.5	3.88	3.5	13	91.5	45	40
MSBMMT6G	6 Gang Multi Mount Box	13	4.5	11.5	3.88	3.5	14.5	110	55	48