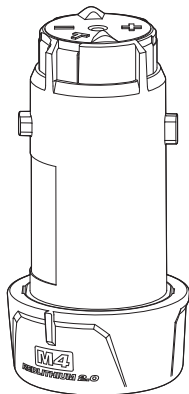


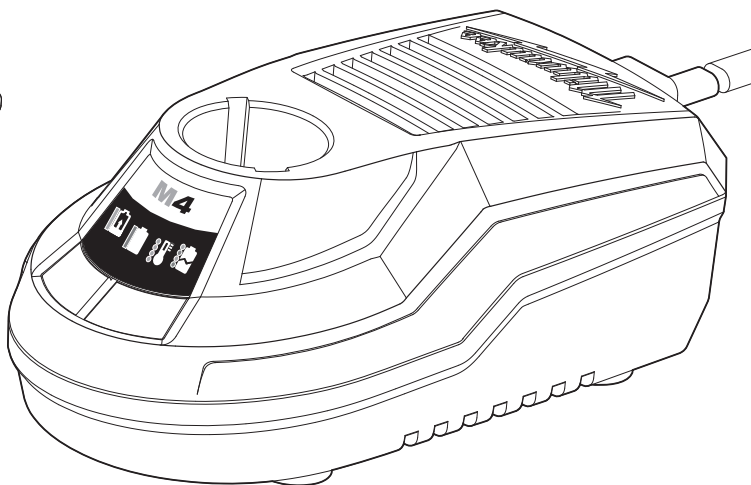


OPERATOR'S MANUAL
MANUEL de L'UTILISATEUR
MANUAL del OPERADOR



Cat. No. / No de cat.
48-11-2001

Cat. No. / No de cat.
48-59-2001



M4™ LITHIUM-ION BATTERY CHARGER

M4™ REDLITHIUM 2.0 BATTERY

CHARGEUR AU LITHIUM-ION M4™

BATERIE AU LITHIUM-ION REDLITHIUM M4™ 2.0

CARGADOR PARA BATERÍAS DE IONES DE LITIO DE M4™

BATERÍA DE IONES DE LITIO DE M4™ REDLITHIUM 2.0



WARNING To reduce the risk of injury, user must read and understand operator's manual.

AVERTISSEMENT Afin de réduire le risque de blessures, l'utilisateur doit lire et bien comprendre le manuel.

ADVERTENCIA Para reducir el riesgo de lesiones, el usuario debe leer y entender el manual.

GENERAL SAFETY RULES

AWARNING READ AND UNDERSTAND ALL INSTRUCTIONS. Failure to follow all instructions listed below, may result in electric shock, fire and/or serious personal injury.

SAVE THESE INSTRUCTIONS

This operator's manual contains important safety and operating instructions for MILWAUKEE M4™ Lithium-Ion batteries and the MILWAUKEE M4™ Lithium-Ion battery charger. Before using the batteries and charger, read this operator's manual, your tool operator's manual, and all labels on the battery, charger and tool.

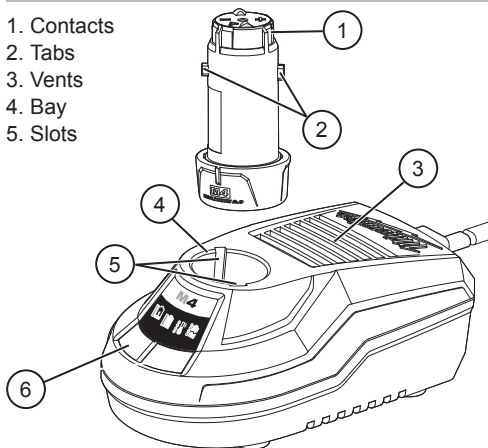
- CAUTION TO REDUCE THE RISK OF INJURY, CHARGE MILWAUKEE M4™ LITHIUM-ION BATTERIES ONLY IN MILWAUKEE M4™ LITHIUM-ION CHARGERS.** Other types of chargers may cause personal injury or damage. Do not wire a battery to a power supply plug or car cigarette lighter. Batteries will be permanently disabled or damaged.
- USE MILWAUKEE M4™ LITHIUM-ION BATTERIES ONLY ON MILWAUKEE M4™ LITHIUM-ION TOOLS.** Use with other tools may result in a risk of fire, electric shock or personal injury.
- AVOID DANGEROUS ENVIRONMENTS.** Do not charge battery in rain, snow, damp or wet locations. Do not use battery or charger in the presence of explosive atmospheres (gaseous fumes, dust or flammable materials) because sparks may be generated when inserting or removing battery, possibly causing fire.
- CHARGE IN A WELL VENTILATED AREA.** Do not block charger vents. Keep them clear to allow proper ventilation. Do not allow smoking or open flames near a charging battery. Vented gases may explode.
- MAINTAIN CHARGER CORD.** When unplugging charger, pull plug rather than cord to reduce the risk of damage to the electrical plug and cord. Never carry charger by its cord. Keep cord from heat, oil and sharp edges. Make sure cord will not be stepped on, tripped over or subjected to damage or stress. Do not use charger with damaged cord or plug. Have a damaged cord replaced immediately with identical replacement parts (see "Maintenance").
- DO NOT USE AN EXTENSION CORD UNLESS IT IS ABSOLUTELY NECESSARY.** Using the wrong, damaged or improperly wired extension cord could result in the risk of fire and electrical shock. If an extension cord must be used, plug the charger into a properly wired 16 gauge or larger extension cord with pins that are the same number, size and shape as the pins on the charger. Make sure that the extension cord is in good electrical condition.
- CHARGER IS RATED FOR 120 VOLT AC ONLY.** Charger must be plugged into an appropriate receptacle.
- USE ONLY RECOMMENDED ATTACHMENTS.** Use of an attachment not recommended or sold by the battery charger or battery manufacturer may result in a risk of fire, electric shock or personal injury.
- UNPLUG CHARGER** when not in use. Remove battery from unplugged chargers.

- TO REDUCE THE RISK OF ELECTRIC SHOCK,** always unplug charger before cleaning or maintenance. Use a Ground Fault Circuit Interrupter (GFCI) to reduce shock hazards.
- DO NOT BURN OR INCINERATE BATTERIES.** Batteries may explode, causing personal injury or damage. Toxic fumes and materials are created when batteries are burned.
- DO NOT CRUSH, DROP, OR DAMAGE** batteries. Do not use a battery or charger that has received a sharp blow, been dropped, run over, or damaged in any way (e.g., pierced with a nail, hit with a hammer, stepped on).
- DO NOT DISASSEMBLE.** Incorrect reassembly may result in the risk of electric shock, fire or exposure to battery chemicals. If it is damaged, take it to a MILWAUKEE service facility.
- BATTERY CHEMICALS CAUSE SERIOUS BURNS.** Never allow contact with skin, eyes, or mouth. If a damaged battery leaks battery chemicals, use rubber or neoprene gloves to dispose of it. If skin is exposed to battery fluids, wash with soap and water and rinse with vinegar. If eyes are exposed to battery chemicals, immediately flush with water for 20 minutes and seek medical attention. Remove and dispose of contaminated clothing.
- DO NOT SHORT CIRCUIT.** A battery pack will short circuit if a metal object makes a connection between the positive and negative contacts on the battery pack. Do not place a battery pack near anything that may cause a short circuit, such as coins, keys or nails in your pocket. Do not allow fluids to flow into battery pack. Corrosive or conductive fluids, such as seawater, certain industrial chemicals, and bleach or bleach containing products, etc., can cause a short circuit. A short circuited battery pack may cause fire, personal injury, and product damage.
- STORE YOUR BATTERY AND CHARGER** in a cool, dry place. Do not store battery where temperatures may exceed 120°F (50°C) such as in direct sunlight, a vehicle or metal building during the summer. Charger will charge the battery when the battery's internal temperature is between 14°F (-10°C) and 140°F (60°C). When the battery temperature is outside that range, charging will not occur.

**READ AND SAVE
ALL INSTRUCTIONS
FOR FUTURE
REFERENCE.**

FUNCTIONAL DESCRIPTION

1. Contacts
2. Tabs
3. Vents
4. Bay
5. Slots



6. Light indicator

- Continuous red light: charging
- Continuous green light: charging is complete
- Flashing red light: battery is too hot or too cold - charging will begin automatically when battery reaches correct charging temperature
- Flashing green and red light: Damaged or faulty battery

SYMBOLOLOGY

- Volts
- Direct Current
- Alternating Current
- Double Insulated
- Properly Recycle Batteries
- Hertz
- Amps
- Milliamps
- UL Listing for Canada and U.S.

SPECIFICATIONS

Charger Cat. No.	48-59-2001
Input Volts AC	120
Input Milliamps.....	300
Output Volts DC.....	4
Output Amps.....	3
Battery Cat. No.	48-11-2001
Volts DC.....	4

M4™ LITHIUM-ION BATTERY

WARNING To reduce the risk of fire, personal injury, and product damage due to a short circuit, never immerse your tool, battery pack or charger in fluid or allow a fluid to flow inside them. Corrosive or conductive fluids, such as seawater, certain industrial chemicals, and bleach or bleach containing products, etc., can cause a short circuit.

Maintenance and Storage

Do not expose your battery or cordless tools to water or rain, or allow them to get wet. This could damage the tool and battery. Do not use oil or solvents to clean or lubricate your battery. The plastic casing will become brittle and crack, causing a risk of injury. Store batteries at room temperature away from moisture. Do not store in damp locations where corrosion of terminals may occur. As with other battery types, permanent capacity loss can result if the battery is stored for long periods of time at high temperatures (over 120° F). MILWAUKEE Lithium-Ion batteries maintain their charge during storage longer than other battery types. After about six months of storage, charge the battery as normal.

WARNING To reduce the risk of injury or explosion, never burn or incinerate a battery pack even if it is damaged, dead or completely discharged. When burned, toxic fumes and materials are created.

Disposing of MILWAUKEE Lithium-Ion Battery Packs

MILWAUKEE Lithium-Ion battery packs are more environmentally friendly than some other types of power tool battery packs (e.g., nickel-cadmium). Always dispose of your battery pack according to federal, state and local regulations. Contact a recycling agency in your area for recycling locations. Even discharged battery packs contain some energy. Before disposing, use electrical tape to cover the terminals to prevent the battery pack from shorting, which could cause a fire or explosion.

RBRC Battery Recycling Seals

The RBRC™ Battery Recycling Seals (see "Symbolology") on your tool battery packs indicate that MILWAUKEE has arranged for the recycling of that battery pack with the Rechargeable Battery Recycling Corporation (RBRC). At the end of your battery pack's useful life, return the battery pack to a MILWAUKEE Branch Office/Service Center or the participating retailer nearest you. For more information, visit the RBRC web site at www.rbrc.org.

CHARGER OPERATION

⚠WARNING Charge only MILWAUKEE M4™ Lithium-Ion batteries in the M4™ MILWAUKEE Lithium-Ion Charger. Other types of batteries may cause personal injury and damage.

When to Charge the Battery Pack

Remove the battery pack from the tool for charging when convenient for you and your job. MILWAUKEE batteries do not develop a "memory" when charged after only a partial discharge. It is not necessary to run down the battery before placing it on the charger.

- Use the Fuel Gauge (on the tool) to determine when to charge your MILWAUKEE Lithium-Ion battery.
- You can "Top-Off" your battery's charge before starting a big job or long day of use.
- The only time it is necessary to charge the MILWAUKEE Lithium-Ion battery is when the battery has reached the end of its charge. To signal the end of charge, power to the tool will drop quickly, allowing you just enough power to finish making a cut, drilling a hole, or driving a fastener. Charge the battery as needed.

How to Charge the Battery

Align the large tab on the battery with the large slot in the bay and slide the battery into the charger as far as possible.

The red light will come on, either flashing (battery is too hot or cold) or continuous (pack is charging).

- A fully discharged battery with an internal temperature in the normal range will charge in about 45 minutes (between 32°F and 140°F). Heavily cycled batteries may take longer to charge completely.
- After charging is complete, the continuous green light will come on.
- The charger will keep the battery fully charged if it is left on the charger.
- If the light indicator flashes red and green, check that the battery is fully seated into the bay. Remove the battery and reinsert. If the light continues to flash red and green, the battery may be extremely hot or cold, or wet. Allow the battery to cool down, warm up, or dry out and then reinsert. If the problem persists, contact a MILWAUKEE service facility.
- If the light indicator does not come on, check that the battery is fully seated into the bay. Remove the battery and reinsert. If the light indicator still does not come on, contact a MILWAUKEE service facility.

Charging a Hot or Cold Battery Pack

The Red Flashing Indicator light on the charger indicates that the battery pack temperature is outside the charging range. Once the battery pack is within the acceptable range, normal charging will take place and the red light will be continuous. Hot or cold batteries may take longer to charge.

Li-Ion Charging Status

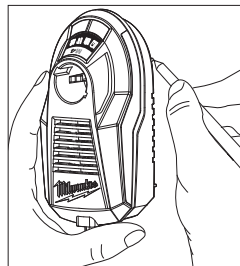
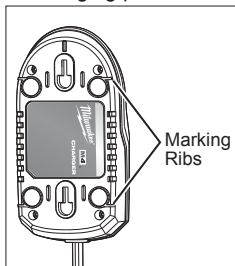
Battery Temperature	Red Indicator Light	Charging Status
140°F or more	Flashing	Not charging
32°F to 140°F	Continuous	Normal charging
32°F or less	Flashing	Not charging

Powering the Charger with an Inverter or Generator

The charger will operate with most generators and inverters rated at 100 Watts or higher.

Mouting to the Wall

Use the ribs on the bottom of the charger to mark the hanging points.



Maintenance and Storage

Store your charger in a cool, dry place. As a general practice, it is best to unplug battery chargers and remove batteries when not in use. No battery pack damage will occur, however, if the charger and battery pack are left plugged in.

⚠WARNING To reduce the risk of injury, always unplug the charger and remove the battery from the charger before performing any maintenance. Never disassemble the battery or charger. Contact a MILWAUKEE service facility for ALL repairs.

To reduce the risk of injury and damage, never immerse your battery or charger in liquid or allow a liquid to flow inside them.

Cleaning

Clean out dust and debris from charger vents and electrical contacts by blowing with compressed air. Use only mild soap and a damp cloth to clean the battery pack and charger, keeping away from all electrical contacts. Certain cleaning agents and solvents are harmful to plastics and other insulated parts. Some of these include gasoline, turpentine, lacquer thinner, paint thinner, chlorinated cleaning solvents, ammonia and household detergents containing ammonia. Never use flammable or combustible solvents around batteries, charger, or tools.

Repairs

The charger has no serviceable parts.

SERVICE - UNITED STATES

1-800-SAWDUST (1.800.729.3878)

Monday-Friday, 7:00 AM - 6:30 PM CST

or visit www.milwaukeetool.com

Contact Corporate After Sales Service Technical Support with technical, service/repair, or warranty questions.

Email: metproductsupport@milwaukeetool.com

Become a Heavy Duty Club Member at www.milwaukeetool.com to receive important notifications regarding your tool purchases.

SERVICE - CANADA

Milwaukee Tool (Canada) Ltd

1.800.268.4015

Monday-Friday, 7:00 AM - 4:30 PM CST

or visit www.milwaukeetool.ca

LIMITED WARRANTY USA & CANADA

Every MILWAUKEE Battery Pack (sold with cordless product and/or as a replacement battery pack) is warranted to the original purchaser only to be free from defects in material and workmanship. Subject to certain exceptions, MILWAUKEE will repair or replace a battery pack which, after examination, is determined by MILWAUKEE to be defective in material or workmanship for the stated warranty period from date of purchase. Return of the battery pack to a MILWAUKEE factory Service Center location or MILWAUKEE Authorized Service Station, freight prepaid and insured, is required. For the proper shipping procedure of battery packs, contact 1.800.SAWDUST (1.800.729.3878), or go to www.milwaukeetool.com. A copy of the proof of purchase should be included with the return product. This warranty does not apply to damage that MILWAUKEE determines to be from repairs made or attempted by anyone other than MILWAUKEE authorized personnel, misuse, alterations, abuse, normal wear and tear, lack of maintenance, or accidents.

Battery Pack Cat. No.	Chemistry	Warranty Period (from date of purchase)
48-11-1828 (Serial number prefix "B41E" and later) 48-11-1840 48-11-1850 48-11-1860 48-11-1890 48-11-2402 48-11-2440 48-11-2460 48-11-2830 (Serial number prefix "C71")	Lithium-Ion (Li-Ion)	Three (3) Years
48-11-0490 48-11-1815 48-11-1820 48-11-2001 48-11-2401 48-11-2420 48-11-2430	Lithium-Ion (Li-Ion)	Two (2) Years
48-11-1828 (Serial number prefix "B41D" and earlier) 48-11-1830 (Serial number prefix "A95") 48-11-2830 (Serial number prefix "A71")	Lithium-Ion (Li-Ion)	Two (2) Years – plus, Three (3) Years Pro-Rata (prorated)*
48-11-0100 48-11-1024 48-11-1830 (Serial number prefix "E95") 48-11-1970 48-11-2830	Nickel-Cadmium (Ni-Cd), Nickel-Metal-Hydrine (Ni-MH), Lithium-Ion (Li-Ion)	One (1) Year

*The warranty period for MILWAUKEE M18™ 48-11-1828 (with the serial number prefix "B41D" and earlier), V18™ 48-11-1830 (with the serial number prefix "A95"), and V28™ 48-11-2830 (with the serial number prefix "A71") is five (5) years / 2000 charges from the date of purchase, whichever first occurs. The first 1000 charges or 2 years of the warranty, whichever first occurs, are covered through free replacement of the defective battery. This means that for the earlier of the first 1000 charges or two (2) years from the date of purchase/first charge, a replacement battery will be provided to the customer for any defective battery free of charge. Thereafter, the remaining charges up to a total of 2000 or the remainder of the five (5) year period from the date of purchase, whichever first occurs, will be covered on a pro rata basis. This means that every customer gets an additional 1000 charges or three (3) years of pro rata warranty on the these battery packs, depending upon the amount of use. MILWAUKEE M18™ 48-11-1828 (with the serial number prefix "B41E" and later), V18™ 48-11-1830 (with the serial number prefix "E95"), and M28™ 48-11-2830 (with the serial number prefix "C71") have different warranty periods, as listed. Warranty Registration is not necessary to obtain the applicable warranty on a MILWAUKEE battery pack. The manufacturing date of the product will be used to determine the warranty period if no proof of purchase is provided at the time warranty service is requested.

ACCEPTANCE OF THE EXCLUSIVE REPAIR AND REPLACEMENT REMEDIES DESCRIBED HEREIN IS A CONDITION OF THE CONTRACT FOR THE PURCHASE OF EVERY MILWAUKEE PRODUCT. IF YOU DO NOT AGREE TO THIS CONDITION, YOU SHOULD NOT PURCHASE THE PRODUCT. IN NO EVENT SHALL MILWAUKEE BE LIABLE FOR ANY INCIDENTAL, SPECIAL, CONSEQUENTIAL OR PUNITIVE DAMAGES, OR FOR ANY COSTS, ATTORNEY FEES, EXPENSES, LOSSES OR DELAYS ALLEGED TO BE AS A CONSEQUENCE OF ANY DAMAGE TO, FAILURE OF, OR DEFECT IN

ANY PRODUCT INCLUDING, BUT NOT LIMITED TO, ANY CLAIMS FOR LOSS OF PROFITS. SOME STATES DO NOT ALLOW THE EXCLUSION OR LIMITATION OF INCIDENTAL OR CONSEQUENTIAL DAMAGES, SO THE ABOVE LIMITATION OR EXCLUSION MAY NOT APPLY TO YOU. THIS WARRANTY IS EXCLUSIVE AND IN LIEU OF ALL OTHER EXPRESS WARRANTIES, WRITTEN OR ORAL. TO THE EXTENT PERMITTED BY LAW, MILWAUKEE DISCLAIMS ANY IMPLIED WARRANTIES, INCLUDING WITHOUT LIMITATION ANY IMPLIED WARRANTY OF MERCHANTABILITY OR FITNESS FOR A PARTICULAR USE OR PURPOSE; TO THE EXTENT SUCH DISCLAIMER IS NOT PERMITTED BY LAW, SUCH IMPLIED WARRANTIES ARE LIMITED TO THE DURATION OF THE APPLICABLE EXPRESS WARRANTY AS DESCRIBED ABOVE. SOME STATES DO NOT ALLOW LIMITATIONS ON HOW LONG AN IMPLIED WARRANTY LASTS, SO THE ABOVE LIMITATION MAY NOT APPLY TO YOU. THIS WARRANTY GIVES YOU SPECIFIC LEGAL RIGHTS, AND YOU MAY ALSO HAVE OTHER RIGHTS WHICH VARY FROM STATE TO STATE.

This warranty applies to product sold in the U.S.A. and Canada only. Please consult the "Service Center Search" in the Parts & Service section of MILWAUKEE's website www.milwaukeetool.com or call 1.800.SAWDUST (1.800.729.3878) to locate your nearest service facility for warranty and non-warranty service on a MILWAUKEE Battery Pack.

LIMITED WARRANTY USA & CANADA

Every MILWAUKEE power tool* (see exceptions below) is warranted to the original purchaser only to be free from defects in material and workmanship. Subject to certain exceptions, MILWAUKEE will repair or replace any part on an electric power tool which, after examination, is determined by MILWAUKEE to be defective in material or workmanship for a period of five (5) years** after the date of purchase unless otherwise noted. Return of the power tool to a MILWAUKEE factory Service Center location or MILWAUKEE Authorized Service Station, freight prepaid and insured, is required. A copy of the proof of purchase should be included with the return product. This warranty does not apply to damage that MILWAUKEE determines to be from repairs made or attempted by anyone other than MILWAUKEE authorized personnel, misuse, alterations, abuse, normal wear and tear, lack of maintenance, or accidents.

Normal Wear: Many power tools need periodic parts replacement and service to achieve best performance. This warranty does not cover repair when normal use has exhausted the life of a part including, but not limited to, chucks, brushes, cords, saw shoes, blade clamps, o-rings, seals, bumpers, driver blades, pistons, strikers, lifters, and bumper cover washers.

*This warranty does not cover Air Nailers & Staplers; Airless Paint Sprayer; Cordless Battery Packs; Gasoline Driven Portable Power Generators; Hand Tools; Hoist – Electric, Lever & Hand Chain; M12™ Heated Gear; Reconditioned Product; and Test & Measurement Products. There are separate and distinct warranties available for these products.

**The warranty period for Job Site Radios, M12™ Power Port, M18™ Power Source, Jobsite Fan and Trade Titan™ Industrial Work Carts is one (1) year from the date of purchase. The warranty period for the Drain Cleaning Cables is two (2) years from the date of purchase. The warranty period for the LED in the LED Work Light and the LED Upgrade Bulb for the Work Light is the lifetime of the product subject to the limitations above. If during normal use the LED or LED Bulb fails, the part will be replaced free of charge.

Warranty Registration is not necessary to obtain the applicable warranty on a MILWAUKEE power tool product. The manufacturing date of the product will be used to determine the warranty period if no proof of purchase is provided at the time warranty service is requested.

ACCEPTANCE OF THE EXCLUSIVE REPAIR AND REPLACEMENT REMEDIES DESCRIBED HEREIN IS A CONDITION OF THE CONTRACT FOR THE PURCHASE OF EVERY MILWAUKEE PRODUCT. IF YOU DO NOT AGREE TO THIS CONDITION, YOU SHOULD NOT PURCHASE THE PRODUCT. IN NO EVENT SHALL MILWAUKEE BE LIABLE FOR ANY INCIDENTAL, SPECIAL, CONSEQUENTIAL OR PUNITIVE DAMAGES, OR FOR ANY COSTS, ATTORNEY FEES, EXPENSES, LOSSES OR DELAYS ALLEGED TO BE AS A CONSEQUENCE OF ANY DAMAGE TO, FAILURE OF, OR DEFECT IN ANY PRODUCT INCLUDING, BUT NOT LIMITED TO, ANY CLAIMS FOR LOSS OF PROFITS. SOME STATES DO NOT ALLOW THE EXCLUSION OR LIMITATION OF INCIDENTAL OR CONSEQUENTIAL DAMAGES, SO THE ABOVE LIMITATION OR EXCLUSION MAY NOT APPLY TO YOU. THIS WARRANTY IS EXCLUSIVE AND IN LIEU OF ALL OTHER EXPRESS WARRANTIES, WRITTEN OR ORAL. TO THE EXTENT PERMITTED BY LAW, MILWAUKEE DISCLAIMS ANY IMPLIED WARRANTIES, INCLUDING WITHOUT LIMITATION ANY IMPLIED WARRANTY OF MERCHANTABILITY OR FITNESS FOR A PARTICULAR USE OR PURPOSE; TO THE EXTENT SUCH DISCLAIMER IS NOT PERMITTED BY LAW, SUCH IMPLIED WARRANTIES ARE LIMITED TO THE DURATION OF THE APPLICABLE EXPRESS WARRANTY AS DESCRIBED ABOVE. SOME STATES DO NOT ALLOW LIMITATIONS ON HOW LONG AN IMPLIED WARRANTY LASTS, SO THE ABOVE LIMITATION MAY NOT APPLY TO YOU. THIS WARRANTY GIVES YOU SPECIFIC LEGAL RIGHTS, AND YOU MAY ALSO HAVE OTHER RIGHTS WHICH VARY FROM STATE TO STATE.

This warranty applies to product sold in the U.S.A. and Canada only. Please consult the 'Service Center Search' in the Parts & Service section of MILWAUKEE's website www.milwaukeeool.com or call 1.800.SAWDUST (1.800.729.3878) to locate your nearest service facility for warranty and non-warranty service on a MILWAUKEE electric power tool.

LIMITED WARRANTY - MEXICO, CENTRAL AMERICA & CARIBBEAN

TECHTRONIC INDUSTRIES' warranty is for 5 years since the original purchase date.

This Warranty card covers any defect in material and workmanship on this Product.

To make this warranty valid, present this warranty card, sealed/stamped by the distributor or store where you purchased the product, to the Authorized Service Center (ASC). Or, if this card has not been sealed/stamped, present the original proof of purchase to the ASC. Call toll-free 1 (800) 030-7777 to find the nearest ASC, for service, parts, accessories or components.

Procedure to make this warranty valid

Take the product to the ASC, along with the warranty card sealed/stamped by the distributor or store where you purchased the product, and any faulty piece or component will be replaced without cost for you. We will cover all freight costs relative with this warranty process.

Exceptions

This Warranty is not valid in the following situations:

- When the product is used in a different manner from the end-user guide or instruction manual.
- When the conditions of use are not normal.
- When the product was modified or repaired by people not authorized by TECHTRONIC INDUSTRIES.

Note: If cord set is damaged, it should be replaced by an Authorized Service Center to avoid electric risks.

SERVICE AND ATTENTION CENTER

Call to 01 (800) 030-7777

IMPORTED AND COMMERCIALIZED BY
TECHTRONIC INDUSTRIES MEXICO, SA DE CV
Av President Masarik #29 piso 7, Col. Polanco V Sección
CP 11560, Deleg. Miguel Hidalgo, CDMX

Model: _____

Date of Purchase: _____

Distributor or Store Stamp: _____

RÈGLES GÉNÉRALES DE SÉCURITÉ

AVERTISSEMENT LIRE ET COMPRENDRE TOUTES LES INSTRUCTIONS. Le non-respect des instructions ci-après peut entraîner des chocs électriques, des incendies et/ou des blessures graves.

CONSERVER CES INSTRUCTIONS

Ce manuel de l'opérateur contient des instructions importantes en matière de sécurité et de fonctionnement pour les batteries au lithium-ion M4™ MILWAUKEE et leurs chargeurs au lithium-ion M4™ MILWAUKEE. Avant d'utiliser les batteries et le chargeur, lisez ce manuel de l'opérateur, le manuel de l'opérateur de l'outil et toutes les étiquettes de la batterie, du chargeur et d

- ATTENTION POUR MINIMISER LES RISQUES DE BLESSURES CORPORELLES, SEULE LA BATTERIE AU LITHIUM-ION M4™ MILWAUKEE DOIT ÊTRE RECHARGÉE AVEC CHARGEUR AU LITHIUM-ION M4™.** D'autres types de batteries pourraient exploser, occasionnant dommages et blessures corporelles. Ne pas relier une batterie à une prise d'alimentation électrique ou à un allume-cigare de voiture pour ne pas désactiver ou endommager de façon permanente les batteries.
- UTILISER LES BATTERIES AU LITHIUM-ION M4™ MILWAUKEE UNIQUEMENT SUR LES OUTILS AU LITHIUM-ION M4™ DE MILWAUKEE.** Une utilisation avec d'autres outils peut causer des risques d'incendie, de chocs électriques et de blessures.
- ÉVITEZ LES ENVIRONNEMENTS À RISQUES. N'UTILISEZ PAS LE CHARGEUR SOUS LA PLUIE,** la neige ou dans les endroits humides ou mouillés. Ne vous servez pas du chargeur ou de la batterie en milieu explosifs (émanations de gaz, poussière ou substances inflammables), car il pourrait se produire des étincelles, lors de l'insertion de la batterie dans le chargeur ou lors de son retrait, créant un risque d'incendie.
- RECHARGEZ DANS UN ENDROIT BIEN VENTILÉ.** Ne laissez pas les événements du chargeur se bloquer et assurez-vous qu'ils sont bien ventilés. N'effectuez pas une recharge de batterie à proximité d'une flamme vive ou fumante, afin d'éviter l'explosion des décharges de gaz.

- ENTRETENEZ LE CORDON DU CHARGEUR.** Pour débrancher le chargeur, tirez sur la fiche plutôt que sur le cordon. Ceci minimisera les risques d'endommager la fiche ou le cordon. Ne transportez jamais le chargeur en le tenant par le cordon. Préservez le cordon de la chaleur, des surfaces grasses et des arêtes tranchantes. Assurez-vous que l'on ne marche ni ne trébuche sur le cordon et qu'il ne soit pas étiré ou mal utilisé. Ne vous servez pas du chargeur si le cordon ou la fiche sont en mauvais état. Faites immédiatement remplacer le cordon endommagé par une pièce de rechange identique. Voir "Maintenance".
- N'UTILISEZ PAS DE RALLONGE À MOINS QUE CE NE SOIT ABSOLUMENT INDISPENSABLE.** L'utilisation d'une rallonge inadaptée, endommagée ou d'un câblage de mauvais calibre peut constituer un risque d'incendie ou de choc électrique. Si vous devez utiliser une rallonge, branchez le chargeur dans un cordon de rallonge de calibre 16 ou plus, possédant des broches dont la quantité, la taille et la forme sont équivalentes à celles du chargeur. Assurez-vous que la rallonge est en bon état.
- LE CHARGEUR FONCTIONNE SUR 120 VOLTS C.A. SEULEMENT.** Il doit être branché sur une prise appropriée.
- N'UTILISEZ QUE LES ACCESSOIRES RECOMMANDÉS.** L'utilisation d'un accessoire qui n'est ni recommandé, ni vendu par le fabricant peut constituer un risque d'incendie, de choc électrique ou de blessure.
- DÉBRANCHEZ LE CHARGEUR** et enlevez la batterie lorsqu'il ne sert pas.
- POUR RÉDUIRE LE RISQUE DE CHOC ÉLECTRIQUE,** débranchez toujours le chargeur avant le nettoyage ou l'entretien et ne vous contentez pas uniquement de placer les com-

PICTOGRAPHIE



Volts



Courant direct



Courant alternatif



Double isolation



Recyclage correct des batteries



Fréquence



Ampères



Milliampères



UL Listing Mark pour
Canada et États-unis

mandes sur arrêt. Utilisez un disjoncteur différentiel pour réduire les risques de choc électrique.

11. **NE PAS BRÛLER OU INCINÉRER LES BATTERIES.** Les batteries peuvent exploser et causer des blessures ou des dommages. Des gaz et des matériaux toxiques sont créés lorsque les batteries au lithium-ion sont brûlées.

12. **NE PAS ÉCRASER, LAISSER TOMBER OU ENDOMMAGER** la batterie. Ne pas utiliser une batterie ou un chargeur qui ont reçu choc important, qui sont tombés, ont été écrasés ou endommagés de quelle que façon que ce soit (par exemple percés par une pointe, heurtés par un marteau, piétinés).

13. **NE PAS DÉMONTÉ.** Un remontage incorrect peut causer des risques de chocs électriques, d'incendies ou d'exposition des produits chimiques de la batterie. Si elle est endommagée, l'apporter à un centre d'entretien *MILWAUKEE*.

14. **LE LIQUIDE DE LA BATTERIE PEUT CAUSER DES BRÛLURES CHIMIQUES GRAVES.** Ne permettez jamais que le liquide de la batterie ne vienne en contact avec la peau ou les yeux. Si du liquide s'écoule d'une batterie, mettez des gants de caoutchouc ou de néoprène pour disposer du liquide. Si la peau vient en contact avec le liquide, lavez-la à l'eau savonneuse et rincez-la ensuite au vinaigre. Enlevez les vêtements souillés et disposez-en. Si les yeux sont affectés, arrosez-les immédiatement avec de l'eau en abondance pendant 20 minutes et demandez l'aide d'un médecin.

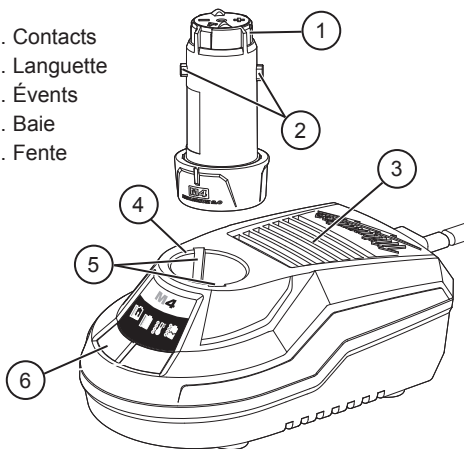
15. **ATTENTION AUX COURTS-CIRCUITS!** Un bloc-piles court-circuité si un objet métallique établit une connexion entre les contacts positifs et négatifs sur le bloc-piles. Ne placez pas un bloc-piles près de tout ce qui peut causer un court-circuit, comme des pièces de monnaie, des clés ou des clous dans votre poche. Ne pas laisser les fluides s'écouler dans le bloc-piles. Les fluides corrosifs ou conducteurs, tels que l'eau de mer, certains produits chimiques industriels, les produits de blanchiment ou de blanchiment, etc., peuvent provoquer un court-circuit. Un bloc-batterie court-circuité peut provoquer des incendies, des blessures corporelles et des dommages au produit.

16. **RANGÉZ LA BATTERIE ET LE CHARGEUR** dans un endroit sec et frais. Ne rangez pas la batterie dans un endroit où la température pourrait dépasser 50°C (120°F), comme par exemple un véhicule ou une structure métallique en été. La recharge s'effectue lorsque la température ambiante se situe entre -10°C (14°F) et 60°C (140°F). Lorsque la température de la batterie n'est pas comprise dans cette plage, le chargement n'a pas lieu.

**LIRE ET
CONSERVER TOUTES
LES INSTRUCTIONS
POUR RÉFÉRENCE
FUTURE.**

DESCRIPTION FONCTIONNELLE

1. Contacts
2. Languette
3. Évents
4. Baie
5. Fente



6. Témoin lumineux
 - Lumière rouge continue: En cours de chargement
 - Lumière verte continue: Chargement terminé
 - Lumière rouge clignotante: La batterie est trop chaude ou trop froide - Le chargement commencera automatiquement quand la batterie atteindra la température de charge correcte
 - Lumière rouge et verte clignotante: Batterie endommagée ou défectueuse

SPÉCIFICATIONS

Chargeur No de Cat.	48-59-2001
Alimentation V CA	120
Alimentation en mA	300
Sortie enV CD	4
Sortie en A	3
Batterie au Li-Ion No de Cat.	48-11-2001
Volts CD	4

LA BATTERIE AU LITHIUM-ION M4™ MILWAUKEE

AVERTISSEMENT Pour réduire le risque d'incendie, de blessures corporelles et de dommages causés par un court-circuit, ne jamais immerger l'outil, le bloc-piles ou le chargeur dans un liquide ou laisser couler un fluide à l'intérieur de celui-ci. Les fluides corrosifs ou conducteurs, tels que l'eau de mer, certains produits chimiques industriels, les produits de blanchiment ou de blanchiment, etc., peuvent provoquer un court-circuit.

Entretien et remisage de la batterie

Ne pas exposer la batterie ou les outils sans fils à l'eau ou à la pluie ou les laisser se mouiller. Ceci endommage l'outil et la batterie. Ne pas utiliser d'huile ou de solvant pour nettoyer ou graisser la batterie. Le boîtier en plastique peut se fendre ou se casser et créer un risque de blessures.

Remiser les batteries à température ambiante et à l'abri de l'humidité. Ne pas les remiser dans des endroits humides où une corrosion des bornes peut avoir lieu. Comme avec les autres types de batterie, une perte permanente de capacité peut être causée si la batterie est remise pendant une longue durée à de hautes températures (plus de 50°C (120°F)). Les batteries lithium-ion MILWAUKEE maintiennent leur charge lors du remisage plus longtemps que les autres types de batterie. Après environ six mois de remisage, charger normalement la batterie.

Mise au rebut des batteries au lithium-ion

Les batteries au lithium-ion MILWAUKEE présentent moins de risques pour l'environnement que d'autres types de batterie (nickel-cadmium par ex.). Éliminer les batteries conformément aux règlements fédéraux/nationaux, provinciaux/d'états et locaux. Contacter l'agence de recyclage locale pour l'adresse des centres de recyclage locaux.

Les batteries déchargées contiennent du courant résiduel. Avant de mettre une batterie au rebut, couvrir les bornes de la batterie avec du ruban isolant afin d'empêcher un court-circuit pouvant causer un incendie ou une explosion.

AVERTISSEMENT Afin de réduire le risque de blessure ou d'explosion, ne jamais brûler ou incinérer une batterie même si elle est endommagée, morte ou complètement déchargée. La combustion d'une batterie libère des fumées et des substances toxiques dans l'atmosphère.

Sceaux de recyclage pour pile RBRC

Les sceaux de recyclage pour piles RBRC™ (voir la « Pictographie ») sur la pile de votre outil, indiquent que MILWAUKEE a pris des dispositions avec Rechargeable Battery Recycling Corporation (RBRC) pour le recyclage de ce bloc de piles. Lorsque la vie utile de ce bloc de pile est épuisée, retournez-le à une succursale ou à un centre de service MILWAUKEE, ou au détaillant participant le plus près de chez vous. Pour obtenir plus d'informations, visitez le site Web RBRC au www.rbrc.org.

FONCTIONNEMENT DU CHARGEUR

AVERTISSEMENT Ne charger que des batteries au lithium-ion M4™ MILWAUKEE dans le chargeur lithium-ion M4™. D'autres types de batterie peuvent causer des blessures ou des dommages.

Quand charger la batterie

Retirer la batterie de l'outil pour la charge quand cela est pratique pour l'utilisateur et le travail. Les batteries au lithium-ion MILWAUKEE ne développent pas de « mémoire » lorsqu'elles sont chargées uniquement après une décharge partielle. Il n'est pas nécessaire de décharger la batterie avant de la mettre sur le chargeur.

- Utiliser l'indicateur de niveau d'énergie (sur l'outil) pour déterminer quand charger la batterie lithium-ion MILWAUKEE.
- Il est possible de compléter la charge de la batterie avant de commencer un important travail ou une longue journée d'utilisation.
- Il n'est nécessaire de charger la batterie au lithium-ion MILWAUKEE que lorsqu'elle a atteint la fin de sa charge. Pour signaler la fin de la charge, l'alimentation vers l'outil baisse rapidement, laissant à l'utilisateur juste assez de puissance pour terminer une coupe, percer un trou ou enfoncer un dispositif de fixation. Charger la batterie selon le besoin.

Comment charger la batterie

Aligner la grande languette placée sur la batterie avec la large fente dans la baie et insérer complètement la batterie dans le chargeur.

Le témoin rouge s'allume, soit en clignotant (la batterie est trop chaude ou trop froide) soit en continu (la batterie est en cours de chargement).

- Une batterie complètement déchargée, avec une température interne de plage normale, se charge en 45 minutes environ entre 0 °C et 60 °C (32 °F et 140 °F). En service sévère, les batteries peuvent nécessiter plus de temps pour se recharger.
- Une fois la charge terminée, le témoin vert continu s'allume et les témoins de l'indicateur d'énergie s'éteignent.
- Le chargeur maintient la batterie complètement chargée si elle est laissée dessus.
- Si le voyant clignote rouge et vert, vérifier que la batterie est bien installée dans la baie. Retirer la batterie puis la réinsérer. Si le voyant continue à clignoter rouge et vert, c'est que la batterie peut être extrêmement chaude ou froide, ou mouillée. Laisser la batterie refroidir, se chauffer ou sécher puis la réinsérer. Si le problème persiste, contacter le service MILWAUKEE.

• Si le voyant clignote ne s'allume pas, vérifier que la batterie est bien installée dans la baie. Retirer la batterie et la réinsérer. Si le voyant ne s'allume toujours pas, contacter le service MILWAUKEE.

Chargement d'une batterie chaude ou froide
Le témoin clignotant rouge du chargeur indique que la température de la batterie est hors de la plage de charge. Une fois que la batterie est dans la plage acceptable, une charge normale commence et le témoin rouge s'allume en continu. Des batteries froides ou chaudes peuvent nécessiter plus de temps pour se recharger.

État de charge au Li-ion

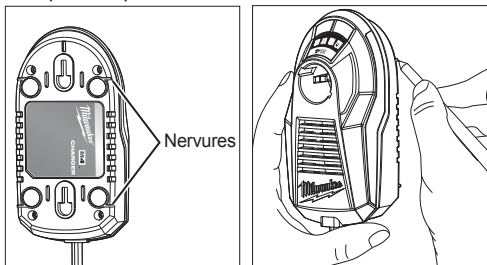
Température de la batterie	Témoin rouge de l'indicateur du chargeur	État de charge
60°C (140°F) ou plus de 0 à 60°C (32 à 140°F)	Clignotant	Pas de charge
0°C (32°F) ou moins	Continu	Charge normale
	Clignotant	Pas de charge

Alimentation du chargeur avec un invertisseur ou un générateur

Le chargeur fonctionne avec la plupart des générateurs ou des invertisseurs qualifiés à 100 watts au minimum.

Fixation au mur

Utiliser les nervures en bas du chargeur afin de marquer les points de fixation.



Entretien et remisage

Remiser le chargeur dans un lieu frais et sec. D'une manière générale, il est préférable de débrancher les chargeurs de batterie et de retirer les batteries quand elles ne sont pas utilisées. Il n'y a toutefois pas de risque de dommage si le chargeur et la batterie sont laissés branchés.

AVERTISSEMENT Pour réduire le risque de blessure, toujours débrancher le chargeur et retirer la batterie du chargeur avant d'effectuer un quelconque entretien. Ne jamais démonter la batterie ou le chargeur. Contacter un centre d'entretien MILWAUKEE pour TOUTES les réparations.

Pour réduire le risque de blessure ou de dommage, ne jamais plonger la batterie ou le chargeur dans un liquide et ne jamais laisser de l'eau s'y infiltrer.

Nettoyage

Nettoyer la poussière et les débris des événements et des contacts électriques du chargeur à l'air comprimé. N'utiliser que du savon doux et un chiffon humide pour nettoyer la batterie et le chargeur, en évitant les contacts électriques. Certains produits de nettoyage ou solvants sont nocifs pour les plastiques et les pièces isolées, notamment: essence, essence de térébenthine, diluant pour vernis, diluant pour peintures, solvant chloré, ammoniac et détergents ménagers contenant de l'ammoniac. Ne jamais utiliser de solvants inflammables ou combustibles à proximité des batteries, du chargeur ou des outils.

Réparations

Le chargeur ne comporte aucune pièce réparable.

GARANTIE LIMITÉE - AUX ÉTATS-UNIS ET AU CANADA

Chaque bloc-piles MILWAUKEE (vendu avec les produits sans fil et/ou en guise de bloc-piles de remplacement) est garanti à l'acheteur d'origine exclusivement être exempt de vice de matériau et de fabrication. Sous réserve de certaines exceptions, MILWAUKEE réparera ou remplacera un bloc-piles qui, après examen, sera confirmé par MILWAUKEE être affecté d'un vice du matériau ou de fabrication pendant la période de garantie mentionnée après la date d'achat. Retourner le bloc piles à un centre de réparations en usine MILWAUKEE ou à un poste d'entretien agréé MILWAUKEE, en port prépayé et assuré. Pour la procédure d'expédition appropriée des blocs-piles, veuillez composer le 1.800.SAWDUST (1.800.729.3878), ou visitez le site Web www.milwaukeeeetool.com. Une copie de la preuve d'achat devrait être jointe au produit retourné. Cette garantie ne couvre pas les dommages que MILWAUKEE détermine être causés par des réparations ou des tentatives de réparation par quiconque autre que le personnel agréé par MILWAUKEE, des utilisations incorrectes, des altérations, des utilisations abusives, une usure normale, une carence d'entretien ou des accidents.

Bloc-piles No de cat.	Composition chimique	Période de la garantie (à compter de la date d'achat)
48-11-1828 (Préfix de numéro de série « B41E » et ultérieur)	Lithium-Ion (Li-Ion)	Trois (3) ans
48-11-1840		
48-11-1850		
48-11-1860		
48-11-1890		
48-11-2402		
48-11-2440		
48-11-2460		
48-11-2830 (Préfix de numéro de série « C71 »)		
48-11-0490		
48-11-1815		
48-11-1820		
48-11-2001		
48-11-2401		
48-11-2420		
48-11-2430		
48-11-1828 (Préfix de numéro de série « B41D » et antérieur)	Lithium-Ion (Li-Ion)	Deux (2) ans – garantie supplémentaire de proportionnalité Trois (3) ans*
48-11-1830 (Préfix de numéro de série « A95 »)		
48-11-2830 (Serial number prefix "A71")		
48-11-0100		
48-11-1024	Nickel-Cadmium (Ni-Cd), nickel-métal-hydrure (Ni-MH), Lithium-Ion (Li-Ion)	Un (1) an
48-11-1830 (Préfix de numéro de série « E95 »)		
48-11-1970		
48-11-2230		

*La période de garantie des pièces 48-11-1828 M18™ (avec préfix de numéro de série « B41D » et antérieur), 48-11-1830 V18™ (avec préfix de numéro de série « A95 ») et 48-11-2830 V28™ (avec préfix de numéro de série « A71 ») de MILWAUKEE est de cinq (5) ans / 2 000 charges à compter de la date d'achat, selon la première échéance. La garantie couvre le remplacement gratuit de la batterie défectueuse, si cela aura lieu pendant les 1 000 premières charges ou les 2 premières années de la garantie, selon la première échéance. Cela signifie que pour les 1 000 premières charges, ou pendant les 2 premières années de la garantie à compter de la date d'achat ou de la première charge, une batterie de rechange sera remise tout à fait gratuitement à l'utilisateur si la batterie d'origine est défectueuse. Par la suite, la garantie couvrira les charges restantes, jusqu'à 2 000, ou les années restantes de la période de garantie de cinq (5) ans à compter de la date d'achat, selon la première échéance, et ce, au prorata. Cela signifie que chaque utilisateur bénéficie de 1 000 charges supplémentaires ou d'une garantie supplémentaire au prorata de trois (3) ans sur les blocs-piles, selon la durée d'utilisation. Les pièces 48-11-1828 M18™ (avec préfix de numéro de série « B41E » et ultérieur), 48-11-1830 V18™ (avec préfix de numéro de série « E95 ») et 48-11-2830 V28™ (avec préfix de numéro de série « C71 ») de MILWAUKEE ont une période de garantie différente, comme énumérée.

L'enregistrement de la garantie n'est pas nécessaire pour bénéficier de la garantie en vigueur sur un outil électrique MILWAUKEE. La date de fabrication du produit servira à établir la période de garantie si aucune preuve d'achat n'est fournie lorsqu'une demande de service sous garantie est présentée.

L'ACCEPTATION DES RECOURS EXCLUSIFS DE RÉPARATION ET DE REMPLACEMENT DÉCRITS AUX PRÉSENTES EST UNE CONDITION DU CONTRAT D'ACHAT DE TOUT PRODUIT MILWAUKEE. SI VOUS N'ACCEPTÉZ PAS CETTE CONDITION, VOUS NE DEVEZ PAS ACHETER LE PRODUIT. EN AUCUN CAS MILWAUKEE NE SAURAIT ÊTRE RESPONSABLE DE TOUT DOMMAGE ACCESSOIRE, SPÉCIAL OU INDIRECT, DE DOMMAGES-INTÉRÊTS PUNITIFS OU DE TOUTE DÉPENSE, D'HONORAIRES D'AVOCATS, DE FRAIS, DE PERTE OU DE DÉLAIS ACCESSOIRES À TOUT DOMMAGE, DÉFAILLANCE OU DÉFAUT DE TOUT PRODUIT, Y COMPRIS NOTAMMENT LES PERTES DE PROFIT. CERTAINS ÉTATS ET PROVINCES NE PERMETTANT PAS L'EXCLUSION OU LA LIMITATION DES DOMMAGES DIRECTS OU INDIRECTS, LES RESTRICTIONS CI-DESSUS PEUVENT NE PAS ÊTRE APPLICABLES. CETTE GARANTIE EST EXCLUSIVE ET REMPLACE TOUTE AUTRE GARANTIE EXPRESSE, QU'ELLE SOIT ORALE OU ÉCRITE. DANS LA MESURE PERMISE PAR LA LOI, MILWAUKEE RENONCE À TOUTE GARANTIE IMPLICITE, Y COMPRIS, SANS S'Y LIMITER, TOUTE GARANTIE IMPLICITE DE QUALITÉ MARCHANDE OU D'ADAPTATION À UNE UTILISATION OU À UNE FIN PARTICULIÈRE. DANS LA MESURE OU UNE TELLE STIPULATION D'EXONÉRATION N'EST PAS PERMISE PAR LA LOI, LA DURÉE DE CES GARANTIES IMPLICITES EST LIMITÉE À LA PÉRIODE APPLICABLE DE LA GARANTIE EXPRESSE, TEL QUE DÉCRIT PRÉCÉDEMMENT. CERTAINS ÉTATS ET PROVINCES NE PERMETTANT PAS DE LIMITATION DE DURÉE DES GARANTIES IMPLICITES, LES RESTRICTIONS CI-DESSUS PEUVENT NE PAS ÊTRE APPLICABLES. LA PRÉSENTE CONFÈRE À L'UTILISATEUR DES DROITS LÉGAUX PARTICULIERS; IL BÉNÉFICIE ÉGALEMENT D'AUTRES DROITS QUI VARIENT D'UN ÉTAT À L'AUTRE. Cette garantie s'applique aux produits vendus aux États-Unis et au Canada uniquement.

Veillez consulter la rubrique Centre SAV MILWAUKEE, dans la section Pièces & Service du site Web de MILWAUKEE, à l'adresse www.milwaukeetool.com, ou composer le 1-800-SAWDUST (1-800-729-3878) afin de trouver le centre de réparations en usine MILWAUKEE le plus près.

SERVICE - CANADA

Milwaukee Tool (Canada) Ltd
1.800.268.4015

Monday-Friday, 7:00 AM - 4:30 PM CST
www.milwaukeetool.ca

GARANTIE LIMITÉE - AUX ÉTATS-UNIS ET AU CANADA

Chaque outil électrique MILWAUKEE (voir exceptions ci-dessous) est garanti à l'acheteur d'origine uniquement pour être exempt de vices de matériaux et de fabrication. Sous réserve de certaines exceptions, MILWAUKEE réparera ou remplacera toute pièce d'un outil électrique qui, après examen par MILWAUKEE, s'est avérée être affectée d'un vice de matériau ou de fabrication et ce pendant une période de cinq (5) ans** à compter de la date d'achat, sauf indication contraire. Le retour de l'outil électrique, à un centre de réparations en usine MILWAUKEE ou à un centre d'entretien agréé MILWAUKEE, est requis en port prépayé et assuré. Une copie de la preuve d'achat doit être présentée avec le produit retourné. Cette garantie ne couvre pas les dommages que MILWAUKEE détermine être causés par des réparations ou des tentatives de réparation par quiconque autre que le personnel agréé par MILWAUKEE, ou par des utilisations incorrectes, des altérations, des utilisations abusives, une usage normale, une carence d'entretien ou des accidents

Usure normale : Plusieurs outils électriques requièrent un remplacement et un entretien périodique de leurs pièces pour un meilleur rendement. Cette garantie ne couvre pas la réparation des pièces due à l'utilisation normale de l'outil, y compris, mais sans s'y limiter, les mandrins, les brosses, les cordes, les sabots de scie, les portes-lames, les joints toriques, les joints, les amortisseurs, les lames d'entraînement, les pistons, les perceurs, les crochets et les rondelles à couvercle amortisseur. *Cette garantie ne s'applique pas aux clouseuses-agrafeuses pneumatiques, aux pulvérisateurs à peinture sans air, aux blocs-piles pour outils sans fil, aux génératrices d'alimentation portatives à essence, aux outils à main, aux monte-charge – électriques, à levier et à chaîne (manuels), aux vestes chauffantes M12™, aux produits résinés, ni aux produits d'essai et de mesure. Il existe des garanties séparées distinctes pour ces produits.

**La période de garantie applicable pour les radios de chantier, le port d'alimentation M12™, la source électrique M18™, le ventilateur de chantier et les radios de travail industriels Trade Titan™ est d'une durée d'un (1) an à compter de la date d'achat. La période de garantie des câbles de nettoyage des canalisations est de deux (2) ans à compter de la date d'achat. La période de garantie couvrant la DEL de la lampe de travail à DEL et l'ampoule améliorée à DEL de la lampe de travail est une garantie à vie du produit soumise aux limitations ci-dessus. En cas de défaillance de la DEL ou de l'ampoule à DEL pendant son utilisation normale, la pièce défaillante sera remplacée gratuitement. L'enregistrement de la garantie n'est pas nécessaire pour bénéficier de la garantie en vigueur sur un outil électrique MILWAUKEE. La date de fabrication du produit servira à établir la période de garantie si aucune preuve d'achat n'est fournie lorsqu'une demande de service sous garantie est déposée.

L'ACCEPTATION DES RECOURS EXCLUSIFS DE RÉPARATION ET DE REMPLACEMENT DÉCRITS DANS LES PRÉSENTES EST UNE CONDITION DU CONTRAT D'ACHAT DE TOUT PRODUIT MILWAUKEE. SI VOUS N'ACCEPTÉZ PAS CETTE CONDITION, VOUS NE DEVEZ PAS ACHETER LE PRODUIT. EN AUCUN CAS, MILWAUKEE NE SAURAIT ÊTRE RESPONSABLE DE TOUT DOMMAGE ACCESSOIRE, SPÉCIAL OU INDIRECT, DE DOMMAGES-INTÉRÊTS PUNITIFS OU DE TOUTE DÉPENSE, D'HONORAIRES D'AVOCATS, DE FRAIS, DE PERTE OU DE DÉLAIS ACCESSOIRES À TOUT DOMMAGE, DÉFAILLANCE OU DÉFAUT DE TOUT PRODUIT, Y COMPRIS NOTAMMENT LES PERTES DE PROFIT. CERTAINS ÉTATS ET PROVINCES NE PERMETTANT PAS L'EXCLUSION OU LA LIMITATION DES DOMMAGES DIRECTS OU INDIRECTS, LES RESTRICTIONS CI-DESSUS PEUVENT DONC NE PAS VOUS ÊTRE APPLICABLES. CETTE GARANTIE EST EXCLUSIVE ET REMPLACE TOUTE AUTRE GARANTIE EXPRESSE, QU'ELLE SOIT VERBALE OU ÉCRITE. DANS LA MESURE PERMISE PAR LA LOI, MILWAUKEE RENONCE À TOUTE GARANTIE IMPLICITE, Y COMPRIS, MAIS SANS S'Y LIMITER, TOUTE GARANTIE IMPLICITE DE QUALITÉ MARCHANDE OU D'ADAPTATION À UNE UTILISATION OU À UNE FIN PARTICULIÈRE. DANS LA MESURE OU UNE TELLE STIPULATION D'EXONÉRATION N'EST PAS PERMISE PAR LA LOI, LA DURÉE DE CES GARANTIES IMPLICITES EST LIMITÉE À LA PÉRIODE APPLICABLE DE LA GARANTIE EXPRESSE, TEL QUE CELA EST DÉCRIT PRÉCÉDEMMENT. CERTAINS ÉTATS ET PROVINCES NE PERMETTANT PAS DE LIMITATION DE DURÉE DES GARANTIES IMPLICITES, LES RESTRICTIONS CI-DESSUS PEUVENT DONC NE PAS VOUS ÊTRE APPLICABLES. LA PRÉSENTE VOUS CONFÈRE DES DROITS LÉGAUX PARTICULIERS; VOUS BÉNÉFICIEZ ÉGALEMENT D'AUTRES DROITS QUI VARIENT D'UN ÉTAT À UN AUTRE.

Cette garantie s'applique aux produits vendus aux États-Unis et au Canada uniquement.

Veillez consulter la rubrique Centre SAV Milwaukee, dans la section Pièces et Services du site Web de MILWAUKEE, à l'adresse www.milwaukeetool.com, ou composer le 1-800-SAWDUST (1-800-729-3878) afin de trouver le centre de service de votre région le plus proche pour l'entretien, sous garantie ou non, de votre outil électrique Milwaukee.

GARANTIE LIMITÉE – MEXIQUE, AMÉRIQUE CENTRALE ET CARAIBES

TECHTRONIC INDUSTRIES' garantit le produit pendant 5 ans à partir de la date d'achat d'origine.

Le présent bon de garantie couvre tous les vices de matériel et de fabrication que peut afficher ce produit.

Pour assurer la validité de la présente garantie, veuillez présenter ce bon de garantie, estampillé du sceau du distributeur ou du magasin où le produit a été acheté, au centre de réparations agréé. Si le bon de garantie n'a pas été estampillé, veuillez fournir la preuve d'achat d'origine au centre de réparations agréé.

Pour un entretien des pièces, des accessoires ou des composants, composer sans frais le 1-800-030-7777 afin d'obtenir les coordonnées du centre de réparations agréé le plus près

Procédure pour assurer la validité de la garantie

Présenter le produit au centre de réparations agréé, accompagné du bon de garantie estampillé du sceau du distributeur ou du magasin où le produit a été acheté. Toute pièce défectueuse ou tout composant défectueux sera remplacé(e) sans frais. Milwaukee assume tous les frais de transport liés à ce processus de garantie.

Exceptions

Cette garantie ne s'applique pas dans les situations suivantes :

- a) Si le produit a été utilisé pour une fin autre que celle indiquée dans le guide de l'utilisateur final ou le manuel d'instructions.
- b) Si les conditions d'utilisations ne sont pas habituelles.
- c) Si le produit a été modifié ou réparé par une personne non autorisée par TECHTRONIC INDUSTRIES.

Remarque : Si le cordon électrique est endommagé, il doit être remplacé par un centre de réparations agréé pour éviter les risques d'électrocution.

CENTRE DE RÉPARATIONS ET DE SERVICE

Composer le 01 (800) 030-7777

IMPORTÉ ET COMMERCIALISÉ PAR
TECHTRONIC INDUSTRIES, MEXIQUE, SA DE CV
Av President Masarik #29 piso 7, Col. Polanco V Sección
CP 11560, Deleg. Miguel Hidalgo, CDMX

Modèle : _____

Date d'achat : _____

Sceau du distributeur ou du magasin :

REGLAS GENERALES DE SEGURIDAD

▲ ADVERTENCIA LEA Y CONSERVE TODAS LAS INSTRUCCIONES. Si no sigue todas las advertencias e instrucciones, se pueden provocar una descarga eléctrica, un incendio o lesiones graves.

GUARDE LAS INSTRUCCIONES

Este manual del operador contiene importantes instrucciones de seguridad y funcionamiento para las baterías de MILWAUKEE iones de litio M4™ y el cargador MILWAUKEE iones de litio M4™. Antes de usar la batería y el cargador, lea este manual del operador, el manual del operador de la herramienta y todas las etiquetas en la batería, el cargador y la herramienta.

- 1. PRECAUCIÓN** Para reducir el riesgo de una lesión, cargue solo baterías MILWAUKEE de M4™ de iones de litio en el cargador de iones de litio. Cualquier otro tipo de batería puede explotar, causando lesiones personales y daños. No conecte una batería a un enchufe de suministro de energía ni a un encendedor de cigarrillos de automóvil. Las baterías se dañarán permanentemente.
- 2. USE SOLAMENTE BATERÍAS DE IONES DE LITIO M4™ CON LAS HERRAMIENTAS DE IONES DE LITIO M4™ DE MILWAUKEE.** Su uso con otras herramientas puede provocar un incendio, una descarga eléctrica o lesiones personales.
- 3. EVITE AMBIENTES PELIGROSOS. NO USE EL CARGADOR CUANDO LLUEVA,** nieve o hay condiciones de alta humedad. Tampoco use la batería ni el cargador en presencia de una atmósfera explosiva (gases, polvos o materiales inflamables), ya que se puede generar una chispa cuando se inserta o se retira una batería, y se podría crear un fuego.
- 4. CARGUE SOLO EN AREAS BIEN VENTILADAS.** No obstruya las ventillas del cargador. Manténgalas limpias para permitir una ventilación adecuada. No permita que se fume o haya flamas cerca de la batería ya que los gases pueden explotar.
- 5. CUIDE EL CABLE DEL CARGADOR.** Cuando desconecte el cargador, jale de la clavija y no del cable, con el objeto de reducir el daño al cable. Nunca tome el cargador del cable. Mantenga este lejos del calor, aceite y de orillas afiladas. Asegúrese que no pisen el cable ni que lo maltraten o lo hagan objeto de daños o tensión. No use un cargador que tenga el cable o la clavija dañado. Haga cambiar de inmediato un cable que esté dañado, por uno idéntico (vea "Mantenimiento").

- 6. NO USE UN CABLE DE EXTENSION A MENOS QUE SEA ABSOLUTAMENTE NECESARIO.** El uso de un cable de extensión equivocado, dañado o incorrectamente cableado puede representar un riesgo de incendio o de descarga eléctrica. Si es necesario utilizar un cable de extensión, conecte el cargador a uno de calibre 16 o mayor, debidamente cableado y cuyos conductores sean iguales en número, tamaño y forma a los conductores en el cargador. Asegúrese de que el cable de extensión se halle en buenas condiciones eléctricas.
- 7. EL CARGADOR ESTA ESPECIFICADO PARA 120 VOLTS, CORRIENTE ALTERNA (CA) SOLAMENTE** y deberá conectarse a un toma corriente adecuado.
- 8. USE ÚNICAMENTE LOS ACCESORIOS RECOMENDADOS.** El uso de un accesorio no recomendado ni vendido por el fabricante del cargador de batería puede representar un riesgo de incendio, de descarga eléctrica o de seguridad personal.
- 9. DESCONECTE EL CARGADOR** y quite la batería luego de una carga.
- 10. PARA DISMINUIR EL RIESGO DE SUFRIR UNA DESCARGA ELÉCTRICA,** desconecte siempre el cargador antes de limpiarlo o darle mantenimiento. La desactivación de la unidad por medio de los mandos no disminuye este riesgo. Utilice un interruptor de circuito accionado por corriente de pérdida a tierra (GFCI) para disminuir el peligro de sufrir una descarga eléctrica.
- 11. NO QUEME NI INCINERE LAS BATERÍAS.** Las baterías pueden explotar, produciendo lesiones personales o daños.
- 12. NO APLASTE, DEJE CAER NI DAÑE LA BATERÍA.** No use una batería o cargador que ha sufrido un fuerte golpe, se ha caído, ha sido atropellado o se ha dañado de cualquier manera (por ejemplo, ha sido atravesado por un clavo, golpeado por un martillo, pisado).
- 13. NO LA DESMONTE.** Si se vuelve a montar de manera incorrecta se puede producir un riesgo de descarga eléctrica, incendio o exposición a los productos químicos de la batería. Si está dañada, lívela a un centro de reparaciones MILWAUKEE.

14. **LOS FLUIDOS DE LAS BATERIAS CAUSAN SERIAS QUEMADURAS.** Nunca permita que estén en contacto con los ojos o la piel. Si se salen los fluidos de una batería dañada, use guantes de hule o de neopreno para desecharla. Si la piel queda expuesta a los fluidos de la batería, lávese con jabón y agua y tálese con vinagre. Qúitese y deshágase de la ropa contaminada. Si los ojos se ven afectados, de inmediato láveselos con agua corriente durante 15 minutos y luego busque atención médica.

15. **NO HAGA CORTO CIRCUITO.** Un paquete de baterías cortará el circuito si un objeto metálico hace una conexión entre los contactos positivos y negativos en el paquete de baterías. No coloque un paquete de baterías cerca de nada que pueda causar un cortocircuito, como monedas, llaves o clavos en el bolsillo. No permita que los fluidos fluyan en el paquete de baterías. Los fluidos corrosivos o conductivos, como el agua de mar, ciertos productos químicos industriales y blanqueadores o lejías que contienen, etc., pueden causar un cortocircuito. Un paquete de baterías de cortocircuito puede causar incendios, lesiones personales y daños al producto.

16. **GUARDE SU BATERIA Y EL CARGADOR** en un sitio fresco y seco. No guarde su batería en sitios donde la temperatura pueda exceder 50°C (120°F) como puede ser dentro de un vehículo o un edificio de metal durante el verano. El cargador percibirá la temperatura de la batería y cargará la batería cuando la temperatura esté dentro de -10°C (14°F) y 60°C (140°F). Cuando la temperatura de la batería está fuera de ese rango, no se cargará.

LEA Y CONSERVE TODAS LAS INSTRUCCIONES PARA CONSULTARLAS EN EL FUTURO.

ESPECIFICACIONES

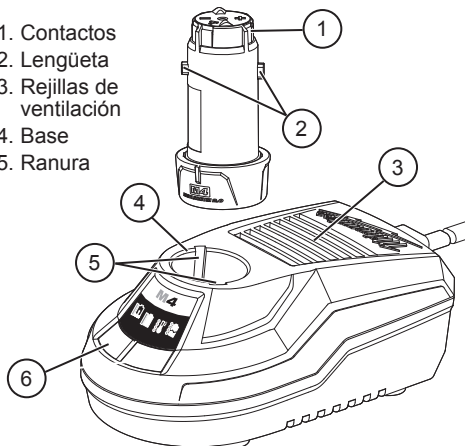
Cargador Cat. No	48-59-2001
Entrada volts de CA.....	120
Entrada milliamperios.....	300
Salida volts CD.....	4
Salida amperios.....	3
Cat. No. Batería de Iones de litio	48-11-2001
Volts CD.....	4 CD

SIMBOLOGÍA

V	Volts
---	Corriente continua
~	Corriente alterna
☐	Con doble aislamiento
♻️	Recicle las baterías de forma adecuada
Hz	Hertzios
A	Amperios
mA	Milliamperios
UL US	UL Listing Mark para Canadá y Estados Unidos

DESCRIPCIÓN FUNCIONAL

1. Contactos
2. Lengüeta
3. Rejillas de ventilación
4. Base
5. Ranura



6. Indicador luminoso

- Luz roja continua: Cargando
- Luz verde continua: La carga ha terminado
- Luz roja intermitente: La batería está demasiado caliente o demasiado fría - La carga comenzará automáticamente cuando la batería alcance la temperatura de carga apropiada
- Luz roja y verde intermitente: Batería dañada o defectuosa

LA BATERÍA DE MILWAUKEE IONES DE LITIO M4™

⚠️ ADVERTENCIA Para reducir el riesgo de incendio, lesiones personales y daños al producto debido a un cortocircuito, no sumerja nunca la herramienta, el paquete de baterías o el cargador en líquido ni permita que fluya un fluido dentro de ellos. Los fluidos corrosivos o conductivos, como el agua de mar, ciertos productos químicos industriales y blanqueadores o lejías que contienen, etc., pueden causar un cortocircuito.

Mantenimiento y almacenamiento de la batería
No exponga la batería ni las herramientas inalámbricas a agua o lluvia, ni deje que se mojen. Esto podría dañar la batería y la herramienta. No usar aceite ni disolventes para limpiar o lubricar la batería. Su cubierta de plástico se quebrará y agrietará, creando un riesgo de lesiones.

Almacene las baterías a temperatura ambiente lejos de humedad. No almacénalas en lugares húmedos en los que los bornes se pueden corroer. Como con otros tipos de baterías, se puede producir una pérdida de capacidad permanente si la batería se almacena por largos períodos de tiempo a altas temperaturas (más de 50°C (120°F)). Durante el almacenamiento, las baterías de iones de litio MILWAUKEE M4™ mantienen su carga más tiempo que otros tipos de batería. Después de unos seis meses de almacenamiento, cargar la batería normalmente.

⚠️ ADVERTENCIA Para reducir el riesgo de lesiones o explosión, nunca quemar ni incinerar una batería incluso si está dañada, muerta o completamente descargada. Cuando se quema, se producen humos y materiales tóxicos.

Desecho de baterías de iones de litio

Las baterías de iones de litio son menos dañinas para el medioambiente que otros tipos de baterías para herramientas eléctricas (por ejemplo, níquel-cadmio). Siempre deseche su batería siguiendo las normas federales, estatales y locales. Póngase en contacto con la agencia de reciclaje en su área para averiguar dónde se pueden reciclar.

Incluso las baterías descargadas contienen algo de energía. Antes de desecharlas, use cinta aislante para cubrir los terminales e impedir que la batería haga un cortocircuito que pudiera causar un incendio o una explosión.

Sellos de Reciclaje de Baterías RBRC

Los Sellos de Reciclaje de Baterías RBRC™ (véase "Simbología") en las baterías de su herramienta indican que MILWAUKEE ha hecho los arreglos pertinentes para reciclar dichas baterías con la Rechargeable Battery Recycling Corporation (Corporación de Reciclaje de Baterías Recargables, o RBRC por sus siglas en inglés). Al final de la vida útil de las baterías, devuelva éstas a la Oficina Principal/Centro de Servicio de MILWAUKEE o el distribuidor autorizado más cercano a usted. Si desea mayor información, visite el sitio web de RBRC en www.rbrc.org.

FUNCIONAMIENTO DEL CARGADOR

⚠️ ADVERTENCIA Cargue solamente las baterías de MILWAUKEE iones de litio M4™ en el cargador MILWAUKEE iones de litio M4™. Otros tipos de baterías pueden ocasionar lesiones personales y daños.

Cuándo cambiar la batería

Quite la batería de la herramienta para cargarla cuando le resulte conveniente a usted y a su trabajo. Las baterías de iones de litio MILWAUKEE no desarrollan una "memoria" cuando se cargan después de solamente una descarga parcial. No es necesario descargar completamente la batería antes de colocarla en el cargador.

- Utilice el indicador de carga (en la herramienta) para determinar cuándo necesita cargar la batería de iones de litio de MILWAUKEE.
- Puede "cargar hasta el tope" la batería antes de comenzar una tarea importante o un día en el que se va a usar durante mucho tiempo.
- La única vez que es necesario cargar la batería de iones de litio MILWAUKEE es cuando la batería se ha descargado por completo. Para indicar el final de la carga, la energía a la herramienta descenderá rápidamente, proporcionándole justo la energía necesaria para terminar de realizar un corte, taladrar un agujero o introducir un afianzador. Cambie la batería según sea necesario.

Cómo cargar la batería

Alinee la lengüeta grande de la batería con la ranura grande en la base y deslice la batería hacia el interior del cargador tanto como sea posible.

La luz roja se encenderá, bien intermitente (la batería está demasiado caliente o fría) o continua (la batería se está cargando).

- Una batería completamente descargada, con una temperatura interna entre 0 y 60 °C (32 °F y 140 °F), tardará aproximadamente 45 minutos en cargarse. Si ha sido usada intensamente, la batería puede tardar más tiempo en cargarse completamente.
- Una vez que la carga ha concluido, la luz verde se encenderá y las luces del indicador de carga se apagarán.
- El cargador mantendrá la batería completamente cargada si se deja en el cargador.
- Si la luz indicadora parpadea en rojo y verde, cerciórese de que la batería está bien asentada en el compartimiento. Extraiga la batería y reintrodúzcala. Si la luz continúa parpadeando en rojo y verde, es posible que la batería esté demasiado caliente, demasiado fría o húmeda. Deje que la batería se enfríe, se caliente o se seque, y reintrodúzcala. Si el problema persiste, póngase en contacto con un centro de servicio MILWAUKEE.
- Si la luz indicadora no se enciende, cerciórese de que la batería está bien asentada en el compartimiento. Extraiga la batería y reintrodúzcala. Si aún no se enciende la luz indicadora, póngase en contacto con un centro de servicio MILWAUKEE.

Carga de una batería caliente o fría

La luz indicadora intermitente roja del cargador indica que la temperatura de la batería está fuera del rango de carga. Una vez que la batería está dentro del rango de carga aceptable, se producirá la carga normal y la luz roja será continua. Si está caliente o fría, la batería puede tardar más tiempo en cargarse.

Estado de carga de iones de litio

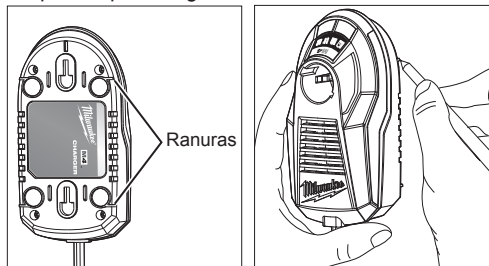
Temperatura de la batería	Luz indicadora roja del cargador	Estado de carga
60°C (140°F) o más de 0 a 60°C (32 a 140°F)	Intermitente	No está cargando
0°C (32°F) o menos	Intermitente	No está cargando
	Continua	Carga normal

Suministro de energía al cargador con un inversor o un generador

El cargador funcionará con la mayoría de los generadores e inversores con una clasificación de 100 W o más.

Montaje en la pared

Use las ranuras en la base del cargador para marcar los puntos para colgar.



Mantenimiento y almacenaje

Almacene su cargador en un lugar frío y seco. Como norma general, es mejor desenchufar los cargadores de baterías y quitar las baterías cuando no se estén usando. No se dañará la batería si, sin embargo, se dejan enchufados el cargador y la batería.

ADVERTENCIA Para reducir el riesgo de lesiones, desenchufe siempre el cargador y quite la batería del mismo antes de realizar mantenimiento. Nunca desarme la batería ni el cargador. Póngase en contacto con un centro de reparaciones MILWAUKEE para TODAS las reparaciones.

Para reducir el riesgo de lesiones y daños, nunca sumerja la batería o el cargador en un líquido ni permita que les entre líquido.

Limpieza

Limpia el polvo y los residuos de las rejillas de ventilación del cargador y los contactos eléctricos con aire comprimido. Use solamente un jabón suave y un paño húmedo para limpiar la batería y el cargador, manteniéndolos alejados de todos los contactos eléctricos. Ciertos agentes limpiadores y disolventes son perjudiciales para los plásticos y para otras piezas aisladas. Algunos de estos son la gasolina, turpentina, tiner, soluciones limpiadoras con cloro, amoníaco y detergentes caseros que contengan amoníaco. Nunca use disolventes inflamables o combustibles alrededor de las baterías, el cargador o las herramientas.

Reparaciones

El Cargador no contiene piezas que puedan repararse.

GARANTÍA LIMITADA - E.U.A. Y CANADÁ

Se garantiza al comprador original que ninguna de las baterías MILWAUKEE (vendidas con productos inalámbricos o como baterías de reemplazo) presentan defectos en material ni mano de obra. Dentro del periodo de garantía establecido, a partir de la fecha de compra y sujeto a ciertas excepciones, MILWAUKEE reparará o reemplazará la batería que, luego de ser examinada, MILWAUKEE compruebe que presenta defectos en material o mano de obra. Se requiere la devolución de la batería a un centro de mantenimiento de la fábrica MILWAUKEE o a un centro de reparaciones autorizado por MILWAUKEE, con gastos de envío prepagados y asegurada. Para obtener información acerca del procedimiento de envío de las baterías, comuníquese a 1.800.SAWDUST (1.800.729.3878) o visite www.milwaukeeool.com. La devolución del producto debe estar acompañada por un comprobante de compra. Esta garantía no se aplica a los daños que MILWAUKEE establece que fueron ocasionados por reparaciones o intentos de reparación por parte de personal no autorizado por MILWAUKEE, uso indebido, alteraciones, abuso, desgaste y deterioro normal, falta de mantenimiento o accidentes.

Descripción de la batería Cat. No.	Química	Periodo de la garantía (a partir de la fecha de compra)
48-11-1828 (Número de serie de prefijo "B41E" y posterior)	IONES DE LITIO	Tres (3) años
48-11-1840		
48-11-1850		
48-11-1860		
48-11-1890		
48-11-2402		
48-11-2440		
48-11-2460		
48-11-2830		
(Número de serie de prefijo "C71")		
48-11-0490	IONES DE LITIO	Dos (2) años
48-11-1815		
48-11-1820		
48-11-2001		
48-11-2401		
48-11-2420		
48-11-2430		
48-11-2828		
(Número de serie de prefijo "B41D" y anterior)	IONES DE LITIO	Dos (2) años: más tres años de prorrateo (prorrateado)*
48-11-1830		
(Número de serie de prefijo "A95")		
48-11-2830	Ni-Cd/níquel-cadmio, Ni-MH/níquel-hidruro metálico, IONES DE LITIO	Un (1) año
(Número de serie de prefijo "A71")		
48-11-0100		
48-11-1024		
48-11-1830		
(Número de serie de prefijo "E95")		
48-11-1970		
48-11-2230		

*El periodo de garantía para los productos MILWAUKEE M18™ 48-11-1828 (con prefijo de número de serie "B41D" y anterior), V18™ 48-11-1830 (con prefijo de número de serie "A95") y V28™ 48-11-2830 (con prefijo de número de serie "A71") es de cinco (5) años / 2000 cargas a partir de la fecha de compra, lo que ocurra primero. Las primeras 1000 cargas o 2 años de la garantía, lo que ocurra primero, se cubren mediante el reemplazo gratuito de la batería defectuosa. Esto significa que para lo que ocurra primero, las primeras 1000 cargas o dos (2) años a partir de la fecha de compra/primer carga, se proporcionará una batería de reemplazo al cliente por cualquier batería defectuosa sin costo alguno. Posteriormente, las cargas restantes hasta un total de 2000 o el resto del periodo de cinco (5) años a partir de la fecha de compra, lo que ocurra primero, se cubrirán de manera prorrateada. Esto significa que cada cliente recibe otras 1000 cargas o tres (3) años de garantía prorrateada para estas baterías, dependiendo de la cantidad de uso. Los productos MILWAUKEE M18™ 48-11-1828 (con prefijo de número de serie "B41E" y posterior), V18™ 48-11-1830 (con prefijo de número de serie "E95") y M28™ 48-11-2830 (con prefijo de número de serie "C71") tienen diferentes periodos de garantía, según se indica. No se necesita registro de garantía para obtener la garantía correspondiente de un producto eléctrico MILWAUKEE. La fecha de fabricación del producto se utilizará para determinar el periodo de garantía si no se presenta un comprobante de compra en el momento en que se solicita el servicio de garantía. LA ACEPTACIÓN DE LOS DERECHOS A REPARACIÓN Y REEMPLAZO EXCLUSIVAMENTE DESCRITOS EN EL PRESENTE DOCUMENTO CONSTITUYE UNA CONDICIÓN DEL CONTRATO POR LA COMPRA DE CADA PRODUCTO MILWAUKEE. SI NO ACEPTA ESTA CONDICIÓN, NO

DEBE COMPRAR EL PRODUCTO. MILWAUKEE NO SERÁ EN NINGÚN CASO RESPONSABLE DE DAÑOS INCIDENTALES, ESPECIALES, CONSECUENTES O PUNITIVOS, NI DE COSTOS, HONORARIOS DE ABOGADOS, GASTOS, PÉRDIDAS O DEMORAS SUPUESTAMENTE CAUSADOS COMO CONSECUENCIA DE CUALQUIER DAÑO, FALLA O DEFECTO EN CUALQUIER PRODUCTO, INCLUIDOS, A MODO DE EJEMPLO, RECLAMOS POR PÉRDIDA DE GANANCIAS, ALGUNOS ESTADOS NO PERMITEN LA EXCLUSIÓN O LA LIMITACIÓN DE DAÑOS INCIDENTALES O CONSECUENTES. POR LO TANTO, LAS LIMITACIONES Y EXCLUSIONES ANTERIORES PUEDEN NO APLICARSE PARA USTED. ESTA GARANTÍA ES EXCLUSIVA Y SUSTITUYE A TODAS LAS OTRAS GARANTÍAS EXPRESAS, ESCRITAS U ORALES, SEGÚN LO PERMITA LA LEY. MILWAUKEE SE EXIME DE TODA GARANTÍA IMPLÍCITA, INCLUIDOS, A MODO DE EJEMPLO, TODA GARANTÍA IMPLÍCITA DE COMERCIABILIDAD O IDEONEIDAD PARA UN USO O PROPÓSITO EN PARTICULAR; EN LA MEDIDA EN QUE DICHA RENUNCIA NO ESTÉ PERMITIDA POR LA LEY, DICHAS GARANTÍAS IMPLÍCITAS ESTÁN LIMITADAS A LA DURACIÓN DE LA GARANTÍA EXPRESA APLICABLE SEGÚN SE DESCRIBE ANTERIORMENTE. ALGUNOS ESTADOS NO PERMITEN LIMITACIONES EN LA DURACIÓN DE UNA GARANTÍA IMPLÍCITA. POR LO TANTO, LA LIMITACIÓN ANTERIOR PUEDE NO APLICARSE PARA USTED. ESTA GARANTÍA LE OTORGA DERECHOS LEGALES ESPECÍFICOS Y TAMBIÉN PUEDE TENER OTROS DERECHOS QUE VARIAN DE ESTADO EN ESTADO.

Esta garantía se aplica a los productos vendidos en los EE. UU. y Canadá. Consulte 'Service Center Search' (Búsqueda de centro de servicio' en la sección Parts & Services (Piezas y servicios) del sitio web MILWAUKEE, www.milwaukeeool.com o llame al **1.800.SAWDUST (1.800.729.3878)** para encontrar su Centro de Servicio de la fábrica de MILWAUKEE más cercano.

SOPORTE DE SERVICIO - MEXICO

CENTRO DE ATENCION A CLIENTES

Techtronic Industries Mexico, S.A. de C.V.

Av. Presidente Masarik 29 Piso 7

11560 Polanco V Seccion

Miguel Hidalgo, Distrito Federal, México

01 (800) 030-7777 o (55) 4160-3540

Lunes a Viernes (9am a 6pm)

O contáctanos en www.milwaukeeool.com.mx

GARANTÍA LIMITADA - E.U.A. Y CANADÁ

Cada herramienta eléctrica* MILWAUKEE (vea las excepciones más adelante) se garantiza al comprador original únicamente contra defectos en materiales y mano de obra. Sujeto a ciertas excepciones, MILWAUKEE reparará o reemplazará cualquier parte de una herramienta eléctrica que, tras una revisión, MILWAUKEE determine que tiene defectos en material o mano de obra durante un período de cinco (5) años** después de la fecha de compra, a menos que se indique lo contrario. Se requiere que se envíe la herramienta eléctrica a un Centro de Servicio de fábrica de MILWAUKEE o a una Estación de Servicio Autorizada de MILWAUKEE, con flete prepagado y asegurado. Debe incluirse una copia del comprobante de compra con el producto enviado. Esta garantía no aplica a daños que MILWAUKEE determine que son ocasionados por reparaciones o intentos de reparaciones realizados por una persona que no sea personal autorizado de MILWAUKEE, uso indebido, alteraciones, maltrato, desgaste normal, falta de mantenimiento o accidentes.

Desgaste normal: Muchas herramientas eléctricas necesitan reemplazos periódicos de partes y servicio para lograr el mejor rendimiento. Esta garantía no cubre la reparación cuando el uso normal ha agotado la vida útil de una parte, incluyendo, entre otras, mandriles, cepillos, cables, zapatas de sierra, abrazaderas de hoja, juntas tóricas, sellos, parachoques, cuchillas de propulsión, pistones, percutores, elevadores y arandelas de la cubierta del parachoques.

*Esta garantía no cubre las clavadoras y grapadoras neumáticas, pulverizador de pintura sin aire, baterías inalámbricas, generadores portátiles accionados por gasolina, herramientas manuales, polipasto eléctrico, de palanca y cadena manual, prendas calefactadas M12™; productos reacondicionados, y productos de prueba y medición. Hay garantías independientes y distintas disponibles para estos productos.

**El período de garantía de los radios para obra, puerto de energía M12™, fuente de poder M18™, ventilador para obra y carros de trabajo industriales Trade Titan™ es de un (1) año a partir de la fecha de compra. El período de garantía de los cables de limpieza de drenaje es de dos (2) años desde la fecha de compra. El período de garantía del LED de la lámpara de trabajo LED y el foco de cambio a LED para la lámpara de trabajo es por toda la vida del producto, sujeto a las limitaciones mencionadas anteriormente. Si durante el uso normal falla el LED o el foco LED, la parte se reemplazará sin cargo alguno. No es necesario el registro de la garantía para obtener la garantía correspondiente para un producto de herramienta eléctrica MILWAUKEE. La fecha de manufactura del producto se utilizará para determinar el período de garantía si no se proporciona comprobante de compra al solicitar el servicio en garantía.

LA ACEPTACIÓN DE LOS REMEDIOS EXCLUSIVOS DE REPARACIÓN Y REEMPLAZO AQUÍ DESCRITOS ES UNA CONDICIÓN DEL CONTRATO PARA LA COMPRA DE TODO PRODUCTO DE MILWAUKEE. SI USTED NO ACEPTA ESTA CONDICIÓN, NO DEBE COMPRAR EL PRODUCTO. MILWAUKEE NO SERÁ RESPONSABLE EN NINGÚN CASO DE DAÑOS INCIDENTALES, ESPECIALES, EMERGENTES O PUNITIVOS, NI DE NINGÚN COSTO, HONORARIOS LEGALES, GASTOS, PÉRDIDAS O DEMORAS ALEGADAS COMO CONSECUENCIA DE ALGÚN DAÑO, FALLA O DEFECTO EN NINGÚN PRODUCTO, INCLUYENDO, ENTRE OTROS, RECLAMACIONES POR PÉRDIDA DE UTILIDADES. ALGUNOS ESTADOS NO PERMITEN LA EXCLUSIÓN O LIMITACIÓN DE RESPONSABILIDAD POR DAÑOS INCIDENTALES O EMERGENTES, POR LO QUE LA ANTERIOR LIMITACIÓN O EXCLUSIÓN PODRÍA NO APLICARSE EN SU CASO. ESTA GARANTÍA ES EXCLUSIVA Y REEMPLAZA TODAS LAS DEMÁS GARANTÍAS EXPRESAS, ESCRITAS U ORALES. EN LA MEDIDA EN QUE LO PERMITA LA LEY, MILWAUKEE DESCONOCE CUALQUIER GARANTÍA IMPLÍCITA, INCLUYENDO, SIN LIMITACIÓN, CUALQUIER GARANTÍA IMPLÍCITA DE COMERCIABILIDAD O IDEONEIDAD PARA UN FIN O USO ESPECÍFICO; EN LA MEDIDA EN QUE DICHO DESCONOCIMIENTO NO SEA PERMITIDO POR LA LEY, DICHAS GARANTÍAS IMPLÍCITAS SE LIMITAN A LA DURACIÓN DE LA GARANTÍA EXPRESA CORRESPONDIENTE SEGÚN SE DESCRIBIÓ ANTERIORMENTE. ALGUNOS ESTADOS NO PERMITEN LIMITACIONES SOBRE LA DURACIÓN DE UNA GARANTÍA IMPLÍCITA, POR LO QUE LA ANTERIOR LIMITACIÓN PUDIERA NO APLICARSE A USTED. ESTA GARANTÍA LE DA DERECHOS LEGALES ESPECÍFICOS Y USTED PODRÍA ADEMÁS TENER OTROS DERECHOS QUE VARIAN DE UN ESTADO A OTRO. Esta garantía aplica a productos vendidos en los Estados Unidos y en Canadá únicamente.

Consulte la 'Búsqueda de Centros de Servicio' en la sección de Refacciones y Servicio del sitio web de MILWAUKEE www.milwaukeeool.com o llame al 1.800.SAWDUST (1.800.729.3878) para localizar el centro de servicio más cercano para servicio dentro y fuera de la garantía para una herramienta eléctrica Milwaukee.

PÓLIZA DE GARANTÍA - VALIDA SOLO PARA MEXICO, AMÉRICA CENTRAL Y EL CARIBE

La garantía de TECHTRONIC INDUSTRIES es por 5 años a partir de la fecha original de compra.

Esta tarjeta de garantía cubre cualquier defecto de material y mano de obra en ese Producto.

Para hacer válida esta garantía, presente esta tarjeta de garantía, cerrada/sellada por el distribuidor o la tienda donde compró el producto, al Centro de Servicio Autorizado (ASC). O, si esta tarjeta no se ha cerrado/sellado, presente la prueba original de compra a ASC. Llame gratis al 01 (800) 030-7777 para encontrar el ASC más cercano, para servicio, partes, accesorios o componentes.

Procedimiento para hacer válida esta garantía

Lleve el producto a ASC, junto con la tarjeta de garantía cerrada/sellada por el distribuidor o la tienda donde compró el producto, y cualquier pieza o componente defectuoso se reemplazará sin costo para usted. Cubriremos todos los costos de flete con relación a este proceso de garantía

Excepciones

Esta garantía no tendrá validez en las siguientes situaciones:

- Quando el producto se use de manera distinta a la que indica el manual del usuario final o de instrucciones.
- Quando las condiciones de uso no sean normales.
- Quando otras personas no autorizadas por TECHTRONIC INDUSTRIES modifiquen o reparen el producto.

Nota: si el juego de cables está dañado, tiene que reemplazarse en un Centro de Servicio Autorizado para evitar riesgos eléctricos.

CENTRO DE SERVICIO Y ATENCIÓN

Llame al 01 (800) 030-7777

IMPORTADO Y COMERCIALIZADO POR
TECHTRONIC INDUSTRIES, MÉXICO, SA DE CV
Av. President Masarik #29 piso 7, Col. Polanco V Sección
CP 11560, Deleg. Miguel Hidalgo, CDMX

Modelo: _____

Fecha de Compra: _____

Sello del Distribuidor: _____

MILWAUKEE TOOL
13135 West Lisbon Road
Brookfield, Wisconsin, U.S.A. 53005

58142020d3
06/17

961012310-01(A)
Printed in China