



CONDUIT pipe products

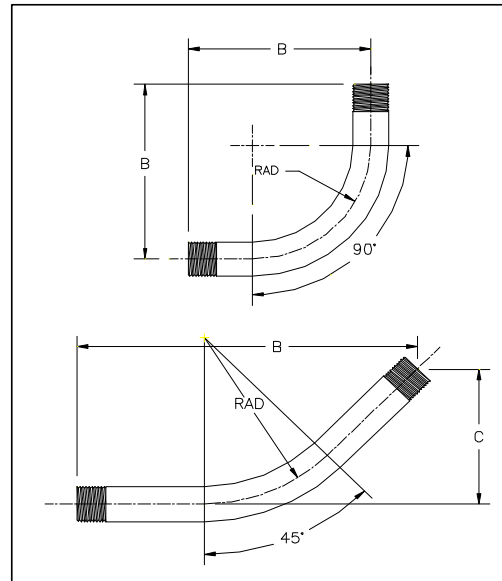
CONDUIT 90° & 45° ELBOWS

RIGID METAL - Galvanized Steel, Aluminum and
Stainless Steel 304

IMC - Galvanized Steel

Standard Radius				
Size	Radius	90°		45°
		B dim.	B dim.	C dim.
1/2	4	6-3/16	7-13/16	3-1/4
3/4	4-1/2	6-3/4	8-11/16	3-5/8
1	5-3/4	8-5/8	9-3/16	3-13/16
1-1/4	7-1/4	10-1/16	10-11/16	4-7/16
1-1/2	8-1/4	11-9/16	11-13/16	4-7/8
2	9-1/2	14-1/16	14-7/8	6-1/8
2-1/2	10-1/2	16	18-5/16	7-9/16
3	13	18-13/16	20-9/16	8-1/2
3-1/2	15	22-3/16	23-3/16	9-5/8
4	16	23-15/16	24-1/2	10-1/8
5	24	36-1/8	38-1/4	15-7/8
6	30	41-15/16	42	17-3/8

Special Radius				
Radius	Sizes Available	90°		45°
		B dim.	B dim.	C dim.
12	1 - 2-1/2	21	23-7/8	9-7/8
15	1 - 3	24	26	10-3/4
18	1 - 4	28	29-3/4	12-3/8
24	1 - 5	35	35-3/4	14-13/16
30	1 - 5	41	40	16-9/16
36	1 - 6	47	44-1/4	18-5/16
42	1 - 6	54	50-1/8	20-13/16
48	1 - 6	60	54-3/8	22-9/16



Notes:

- Galvanized Rigid Metal Elbows meet UL6 and ANSI C80.1
- Aluminum Rigid Metal Elbows meet UL6A and ANSI C80.5
- Stainless Steel Rigid Metal Elbows meet UL6A
- Galvanized IMC Elbows meet UL1242 and ANSI C80.6
- 5" and 6" size Elbows available only in Rigid Galvanized Steel and Aluminum
- Stainless Steel 316 Elbows available upon request
- 11-1/4°, 15°, 22-1/2°, 30° and 60° Elbows also available

Conduit Pipe Products Company

A Member of The Phoenix Forge Group

1501 West Main Street
West Jefferson, OH 43162

Phone: 614 879-9114
Toll Free: 800 848-6125
Fax: 614 879-5185
Website: www.conduitpipe.com



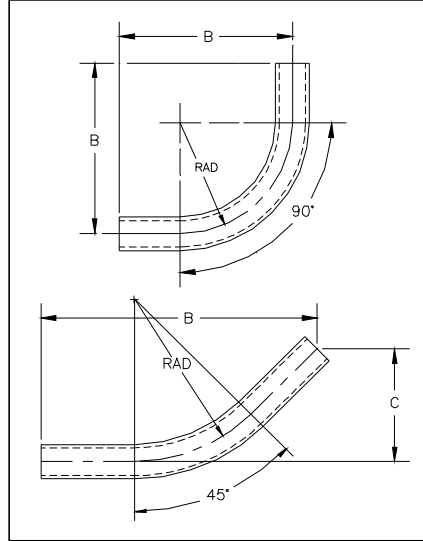
CONDUIT pipe products

CONDUIT 90° & 45° ELBOWS

EMT

Standard Radius				
Size	Radius	90°		45°
		B dim.	B dim.	C dim.
1/2	4	6-3/16	7	2-7/8
3/4	4-1/2	6-11/16	7-7/8	3-1/4
1	5-3/4	8-9/16	8-15/16	3-11/16
1-1/4	7-1/4	9-15/16	9-11/16	4
1-1/2	8-1/4	11-1/2	11-3/8	4-11/16
2	9-1/2	14-1/16	14	5-13/16
2-1/2	10-1/2	16	19-3/8	8
3	13	18-13/16	22	9-1/8
3-1/2	15	23	23-13/16	9-7/8
4	16	24-7/16	25-1/16	10-3/8

Special Radius				
Radius	Sizes Available	90°		45°
		B dim.	B dim.	C dim.
18	1 - 4	28	29-3/4	12-3/8
24	1 - 4	35	35-3/4	14-13/16
30	1 - 4	41	40	16-9/16
36	1 - 4	47	44-1/4	18-5/16
42	1 - 4	54	50-1/8	20-13/16
48	1 - 4	60	54-3/8	22-9/16



Notes:

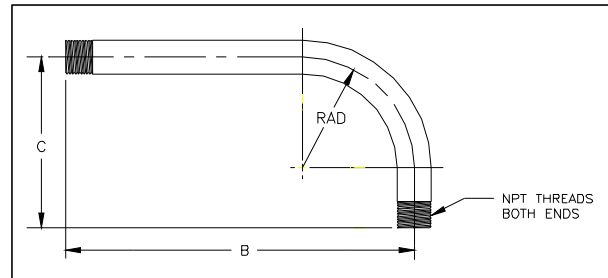
EMT Elbows meet UL797 and ANSI C80.3

11-1/4°, 15°, 22-1/2°, 30° and 60° Elbows also available

YARD LIGHTS

Galvanized Steel

Size	Radius	B dim.	C dim.
1/2	4	18	6-3/16
3/4	4-1/2	18	6-3/4
1	5-3/4	18	8-5/8
1-1/4	7	19-1/4	10-1/4
1-1/2	8-1/4	20-1/2	11-5/8
2	9-1/2	21-1/2	14-1/2
2-1/2	10-1/2	22-1/2	16
3	13	25	19-1/4
3-1/2	15	27	22-3/4
4	16	28	24



Conduit Pipe Products Company

A Member of The Phoenix Forge Group

1501 West Main Street
West Jefferson, OH 43162

Phone: 614 879-9114

Toll Free: 800 848-6125

Fax: 614 879-5185

Website: www.conduitpipe.com

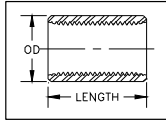


CONDUIT pipe products

CONDUIT COUPLINGS

Galvanized Steel, Aluminum and Stainless Steel 304

Size	Threads per inch	OD	Min. Length
1/2	14	1.010	1-5/8
3/4	14	1.250	1-41/64
1	11-1/2	1.525	1-31/32
1-1/4	11-1/2	1.869	2-1/32
1-1/2	11-1/2	2.155	2-1/16
2	11-1/2	2.650	2-1/8
2-1/2	8	3.250	3-3/16
3	8	3.870	3-5/16
3-1/2	8	4.500	3-13/32
4	8	4.875	3-33/64
5	8	6.000	3-61/64
6	8	7.100	4-1/4

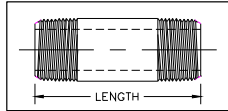


Notes:

Galvanized Couplings meet UL6 and C80.1
 Stainless Steel 304 Couplings meet UL6A
 Stainless Steel 304 Couplings available only upto 4" size
 OD for Stainless Steel Couplings may be larger than shown

CONDUIT NIPPLES

Galvanized Steel, Aluminum and Stainless Steel 304



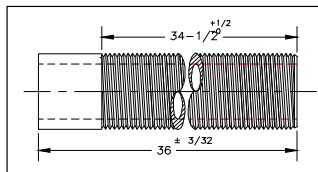
Size	Close Length	Length													
		1-1/2	2	2-1/2	3	3-1/2	4	4-1/2	5	5-1/2	6	8	10	12	
1/2	1-1/8														
3/4	1-3/8														
1	1-1/2														
1-1/4	1-5/8														
1-1/2	1-3/4														
2	2														
2-1/2	2-1/2														
3	2-5/8														
3-1/2	2-3/4														
4	2-7/8														
5	3														
6	3-1/8														

Notes:

Sizes shown in yellow are available from stock
 Lengths longer than 12" and Special Threading available upon request
 Both ends NPT threads conform to ANSI B1.20.1

RUNNING THREAD

Size	Threads per inch	OD
1/2	14	0.823
3/4	14	1.034
1	11-1/2	1.293
1-1/4	11-1/2	1.638
1-1/2	11-1/2	1.877
2	11-1/2	2.351
2-1/2	8	2.841
3	8	3.467
3-1/2	8	3.968
4	8	4.466
5	8	5.528
6	8	6.585



Notes:

Running Threads have NPSM Threads
 Running Threads are Galvanized

Conduit Pipe Products Company
 A Member of The Phoenix Forge Group
 1501 West Main Street
 West Jefferson, OH 43162

Phone: 614 879-9114
 Toll Free: 800 848-6125
 Fax: 614 879-5185
 Website: www.conduitpipe.com



CONDUIT pipe products

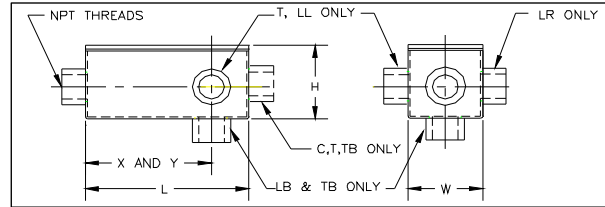
CONDUIT BODIES

Stainless Steel 304

Size	L	W	H	X	Y
1/2 - 3/4	4.500	2.000	2.180	2.250	3.380
3/4	6.000	2.250	2.430	3.000	4.756
1-1/4 - 1-1/2	8.000	2.750	2.930	4.000	6.443
2	10.000	3.250	3.430	5.000	8.193
2-1/2 - 3	11.375	4.375	4.555	5.687	8.943
4	14.000	5.375	5.555	7.000	11.066

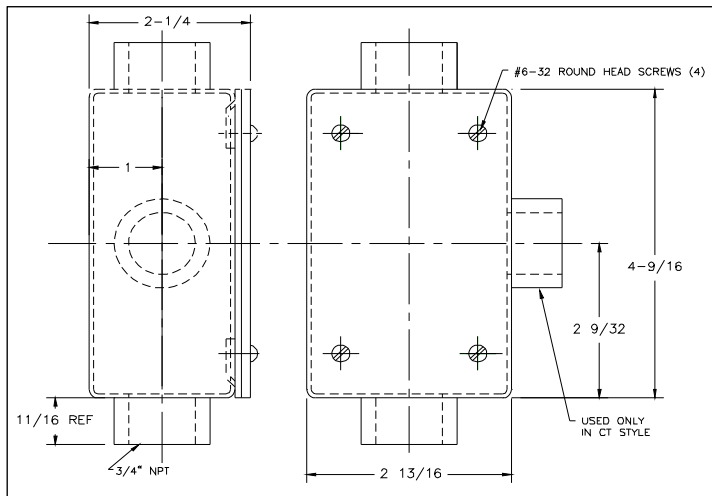
Notes:

The Hubs have NPT threads.
 Conduit Bodies are water tight in sizes 2" and under
 X dimension applies only to Styles C, T and TB
 Y dimension applies only to Styles LB, LL and LR



CONDUIT FS BODIES

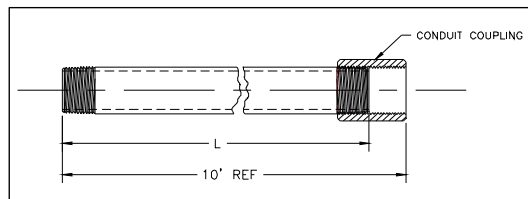
Stainless Steel 304



10' CONDUITS WITH COUPLING

Stainless Steel 304 Conduit and Coupling

Size	L dim
1/2	9' 11-1/4"
3/4	9' 11-1/4"
1	9' 11"
1-1/4	9' 11"
1-1/2	9' 11"
2	9' 11"
2-1/2	9' 10-1/2"
3	9' 10-1/2"
4	9' 10-1/4"



Notes:
 Galvanized 10' Conduits with Coupling meet UL6 and ANSI C80.1
 Stainless Steel 10' Conduits with Coupling meet UL6A and ANSI C80.5

Conduit Pipe Products Company

A Member of The Phoenix Forge Group
 1501 West Main Street
 West Jefferson, OH 43162

Phone: 614 879-9114
 Toll Free: 800 848-6125
 Fax: 614 879-5185
 Website: www.conduitpipe.com