



Glendora, California

Toll-Free: 800.735.5566

Phone: 909.592.6272

Fax: 909.592.7971

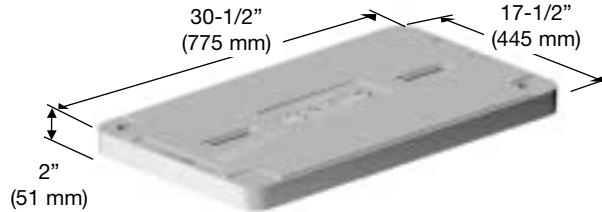
Roscommon, Ireland

Phone: 35.39.03.25922

Fax: 35.39.03.25921

H Series H1730

Heavy Duty



Cover¹

Material: Polymer Concrete

Weight: 75.0 lbs. (34 kgs)

Model: H1730-P1

Skid Resistant Surface²

(Material and cover dimensions compliant with WUC, Guide 3.6³)

Bodies (12", 18", 24")

Material: Polymer Concrete

Model: H1730-12 (65 lbs./29.4 kgs)

A 12" (305 mm) B 10" (254 mm)

C 28 5/16" (720 mm) D 15 5/16" (390 mm)

Model: H1730-18 (92 lbs./41.7 kgs)

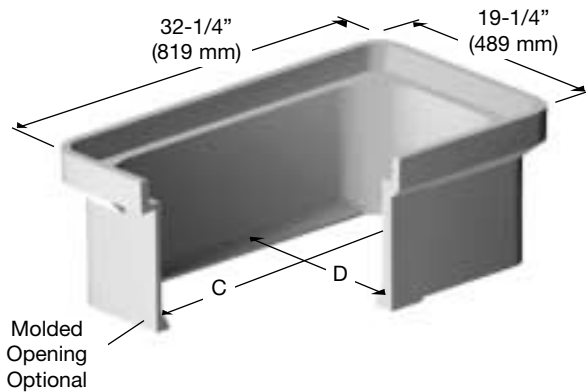
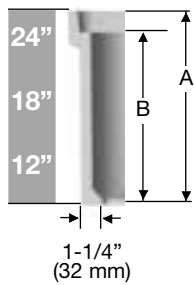
A 18" (457 mm) B 16" (406 mm)

C 28 3/16" (716 mm) D 15 3/16" (386 mm)

Model: H1730-24 (117 lbs./53.0 kgs)

A 24" (610 mm) B 22" (559 mm)

C 28 1/16" (712 mm) D 15 1/16" (382 mm)



Bottom Extension

Material: Polymer Concrete

Model: H1730-9X (45 lbs./20 kgs)

Tolerances

Cover $\pm 1/8"$ (3 mm); Body $\pm 1/8"$ (3 mm)

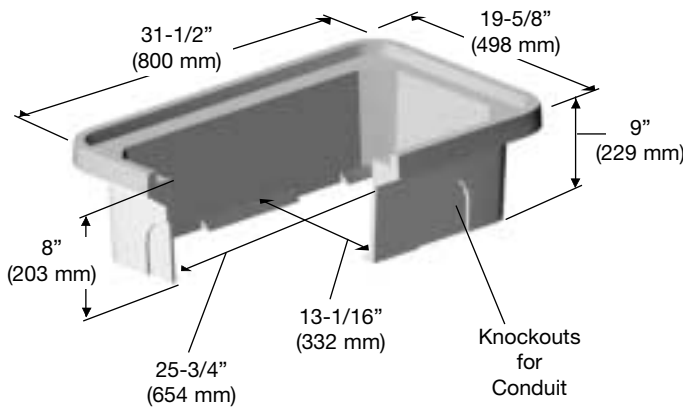
Foot $\pm 1/16"$ (2 mm); Height $\pm 1/4"$ (6 mm)

Fasteners: 2 each (optional 4 ea) 3/8-16 UNC, Stainless Steel, Hex Head with Washer; Options: Captive bolt and floating nut, size, quantity, type head are available.

Cover Identification is blank unless specified

Pull Slot 1/2" x 4" (13 mm x 102 mm)

Steel Covers Optional



Boxes are stackable. 24" deep shall be used as the lower box only. Vertical load ratings are stated for single boxes. For units with MOLDED OPENINGS, subtract 2 lbs from Unit Weight. Weights may vary slightly. Dimensions in inches with metric equivalents.

H Series H1730

Heavy Duty

Carson Industries, LLC

Glendora, California

Toll-Free: 800.735.5566

Phone: 909.592.6272

Fax: 909.592.7971

Roscommon, Ireland

Phone: 35.39.03.25922

Fax: 35.39.03.25921

Vertical and Lateral Load Rating

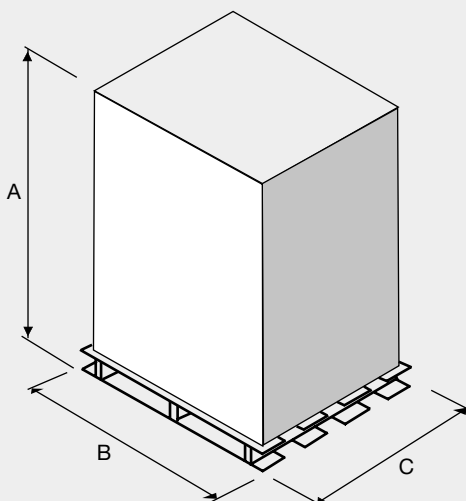
Heavy Duty Covers

- Compliant with AASHTO, Design Load of H-10; ASTM C 857-95, Design Load of A-8, 8,000 lbs. Capable of withstanding a Static Load of >22,880 lbf transferred through a 10" x 10" steel plate centered on the cover and body.
- Compliant with AASHTO, Design Load of H-20; ASTM C 857-95, Design Load of A-16, 16,000 lbs. Capable of withstanding a Static Load of >45,760 lbf transferred through a 10" x 20" steel plate centered on the cover and body.
- This product is designed to withstand H-10 and H-20 loading in incidental or non-deliberate traffic areas. Not intended to be installed in roadways.

Shipping Configuration

- Single Bodies – 12":**
Unit, 12 assemblies, = 69.5 cu. ft.;
1,680.0 lbs.
- Single Bodies – 18":**
Unit, 6 assemblies, = 53.8 cu. ft.;
1,002.0 lbs.
- Single Bodies – 24":**
Unit, 6 assemblies, = 69.5 cu. ft.;
1,152.0 lbs.

Shipping Information



Standard Test Method	Properties of Raw Material	ASTM Designation	Test Results
Compressive Strength of Polymer Concretes	Compressive Strength	C 579-96	11,000 psi
Flexural Strength and Modulus of Elasticity of Polymer Concretes	Flexural Strength Modulus of Elasticity	C 580-93	1,800 psi 2,900,000 psi
Chemical Resistance of Polymer Concretes	Chemical Resistance	C 267-97	Pass ⁴
Determination of Impact Resistance by means of a Tup (falling weight)	Impact Resistance	D 2444-93	Pass ⁵

¹AASHTO H-10, ASTM C 857, A-8, 8,000 lbs Design Load. Static Vertical Load Rating >22,880 lbf. AASHTO H-20, ASTM C 857 A-16, 16,000 lbs Design Load. Static Vertical Load Rating > 45,760 lbf

²Coefficient of Friction (ASTM C1028) >0.5

³Western Underground Committee, Guide 3.6

⁴Specimens exposed to ten reagents (alkalis, acids and petroleum distillates) experience <2% weight and dimensional change and retain >75% of average Compressive Strength. Listing of reagents and test reports available upon request.

⁵Capable of withstanding 70 ft lbs impact with a type "C" Tup.

UNIT 1730-15			UNIT 1730-18			UNIT 1730-24		
Dim.	Description	Value	Dim.	Description	Value	Dim.	Description	Value
A	Height	54"	A	Height	42"	A	Height	54"
B	Length	42"	B	Length	42"	B	Length	42"
C	Width	54"	C	Width	54"	C	Width	54"
Units: 12 per pallet			Units: 9 per pallet			Units: 6 per pallet		
Weight: 1,725 lbs. per pallet			Weight: 1,047 lbs. per pallet			Weight: 1,197 lbs. per pallet		
BODY 1730-15			BODY 1730-18			BODY 1730-24		
Dim.	Description	Value	Dim.	Description	Value	Dim.	Description	Value
A	Height	58"	A	Height	56"	A	Height	52"
B	Length	42"	B	Length	42"	B	Length	42"
C	Width	54"	C	Width	54"	C	Width	54"
Units: 15 per pallet			Units: 9 per pallet			Units: 6 per pallet		
Weight: 1,020 lbs. per pallet			Weight: 873 lbs. per pallet			Weight: 747 lbs. per pallet		
COVER			BOTTOM EXTENSION			All information contained in this brochure was current at the time of printing. Because of Carson Industries' policy of ongoing research and development, the Company reserves the right to discontinue or update product information without notice.		
Dim.	Description	Value	Dim.	Description	Value			
A	Height	36"	A	Height	47"			
B	Length	42"	B	Length	42"			
C	Width	48"	C	Width	48"			
Units: 145 per pallet			Units: 15 per pallet					
Weight: 3,420 lbs. per pallet			Weight: 720 lbs. per pallet					