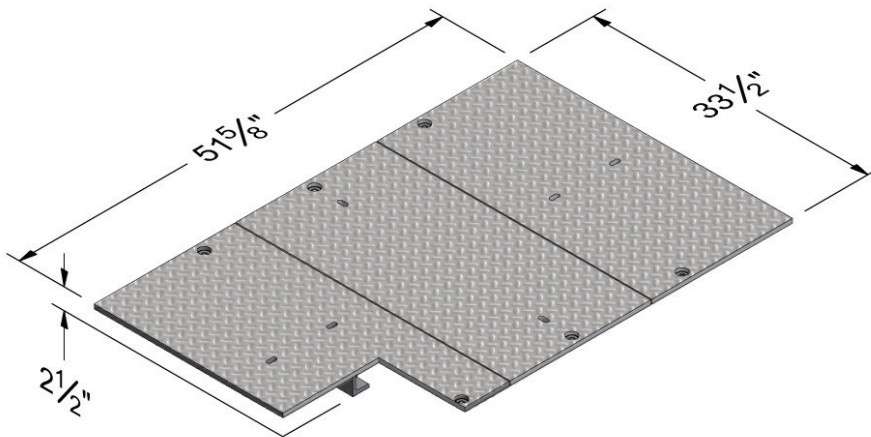
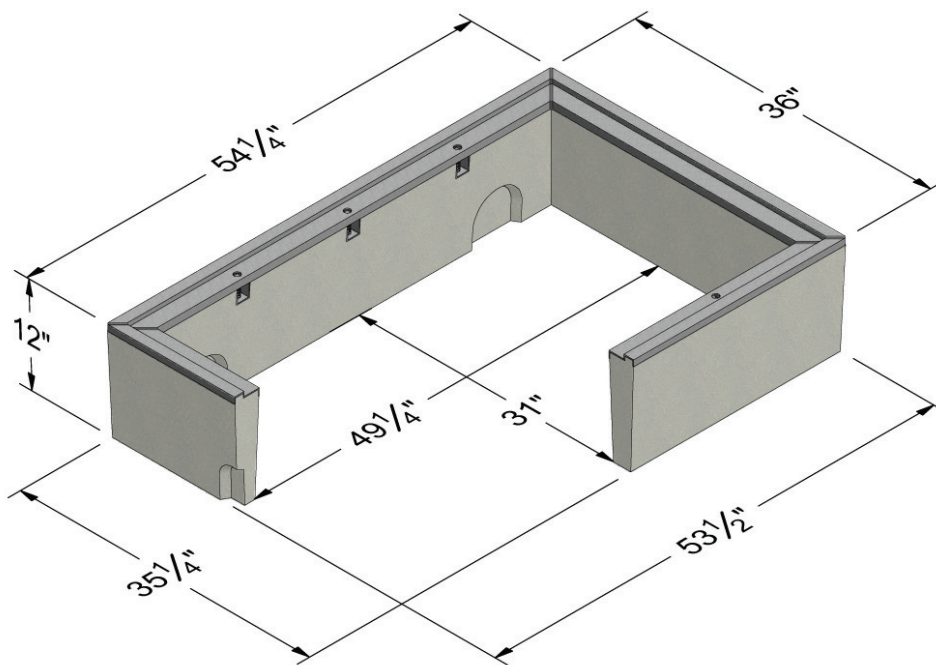


B3048



COVER:
 Style: Flush
 Material: Steel Checker Plate
 Model: 33" x 52" (3 Piece Lid)
 Weight: 300 lbs
 Options: Special Markings
 Surface: Skid Resistant & Marked*
 Coefficient of Friction: >0.6 ASTM 1028
 Performance: H20, AASHTO M309

BODY:
 Material: Reinforced Concrete with Steel Frame
 Model: 36" x 55"
 Weight: 434 lbs
 Wall Type: Straight
 Mouseholes: 0
 Performance: H20, AASHTO M309



OPTIONS: **Steel Checker Plate Covers:**
 Flush 3 Piece
 Bolt Down Locking Available
 Galvanizing Available
 EMS Marker
 Lid Gaskets*

*Lid Gaskets inhibit water flow into the box, they do not make Enclosure fully waterproof.



Traffic Rated: Continuous Roadway Traffic

Actual load rating is determined by the box and cover combination. Weights and dimensions may vary slightly.

All information contained on this sheet is current at the time of printing. Oldcastle Precast, Inc. reserves the right to discontinue or update product information without notice.

*Cover comes standard with permanent markings for manufacturer, load rating, model size and manufacturing location.

Contact your Oldcastle Enclosure Solutions Distribution Center for specific information and additional options.