

**APPLICATIONS:**

- ANALOG VOICE / VOIP / IPTV
- 10 / 100 / 1000 / 10G BASE-T ETHERNET
- IEEE 802.3 AF / AT PoE

**SPECIFICATIONS:**

- ANSI / TIA-568-C.2 CATEGORY 6A
- ANSI / TIA-968-A
- IEC 60603-7

**MATERIALS:**

- JACK HOUSING: UL 94V-0 RATED THERMOPLASTIC MODULAR INTERFACE MATING CONTACT
- MATERIAL: BERYLLIUM COPPER
- PLATING: 50 MICRO-INCH (MIN) HARD GOLD OVER 100 MICRO-INCH (MIN) NICKEL OR APPROVED ALTERNATE PLATING PROCESS
- INSERTIONS / WITHDRAWALS: ≥750 110-STYLE IDC TERMINAL
- MATERIAL: PHOSPHOR BRONZE
- PLATING: 100 MICRO-INCH (MIN) MATTE TIN OVER 50 MICRO-INCH (MIN) NICKEL
- WIRE GAUGE RANGE: 22-26 AWG
- INSERTIONS / WITHDRAWALS: ≥200

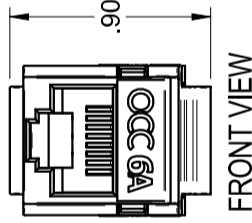
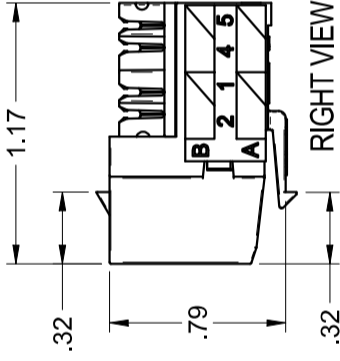
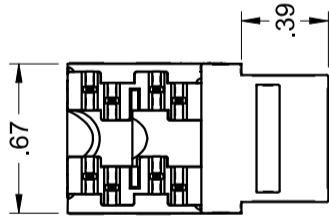
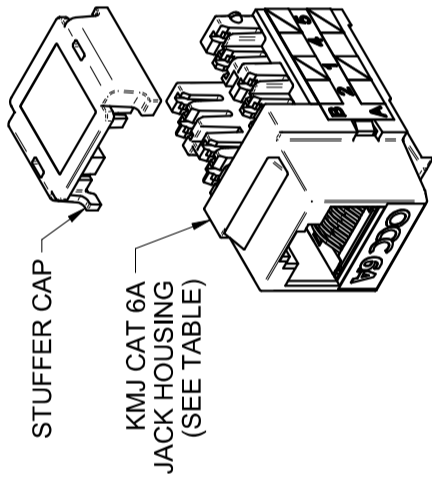
**CODE & COMPLIANCE:**

- UL LISTED
- CSA CERTIFIED
- E.U. RoHS DIRECTIVE 2002/95/EC COMPLIANT

**COLOR TABLE**

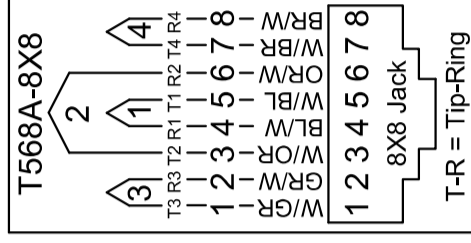
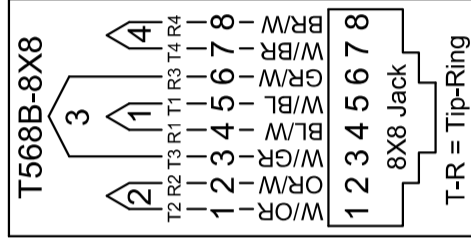
KMJ HOUSING "XX"	00
ELEC. IVORY	01
OFFICE WHITE	02
BLACK	03
RED	04
GREEN	05
BLUE	06
GRAY	08
ORANGE	09
YELLOW	10
PURPLE	11
BROWN	12
BRT. WHITE	

"OPTICAL CABLE CORPORATION (OCC) RESERVES THE RIGHT TO REVISE ANY AND ALL DESIGN SPECIFICATIONS."



ISOMETRIC VIEW

**8 POSITION MODULAR JACK**



**UNCONTROLLED COPY**

K6A "XX"	JACK, KMJ, UTP, CAT6A, "COLOR", OCC
OCC PART NO.	DESCRIPTION
<p>UNLESS OTHERWISE SPECIFIED THIS DRAWING AND THE DESIGN SHOWN ARE THE PROPERTY OF OPTICAL CABLE CORPORATION AND MAY NOT BE USED AS THE BASIS FOR MANUFACTURE OR SALE WITHOUT SPECIFIC WRITTEN PERMISSION OF OPTICAL CABLE CORPORATION.</p> <p>DRAWN D.A.HOLBERT DATE 9/19/06          CHECKED J.YANIK DATE 9/22/06          ENGINEER S.SEO DATE 9/19/06          APPROVED J.CALLOWAY DATE 5/13/14          PREVIOUS DWG          NEXT DWG</p>	
THIRD ANGLE PROJECTION	SEE NOTES
CRITICAL DIMENSION CODE	FINISH SEE NOTES
(F) = FUNCTION (M) = MATING (A) = AUDIT	
FILENAME C107939C.DFT	SCALE: NONE SHEET 1 OF 1

DWG TITLE	CUSTOMER DRAWING, JACK ASSY, KMJ, CAT 6A, OCC
SIZE	B
DWG NO.	C107939
REV	C

33 Superior Way Swannanoa, NC 28778 Phone: 828-298-2260 Fax: 828-298-2487 www.occfiber.com
--