

Split System Submittal Data

Indoor: **CU-5E36QBU**

Multi System Outdoor Units

Job Name: _____
 Location: _____
 Engineer: _____
 Submitted to: _____
 Submitted by: _____
 Reference: _____

Approval: _____
 Date: _____
 Construction: _____
 Unit#: _____
 Drawing#: _____



General Data	
Power (V/P/Hz)	230/208/1/60
Minimum Circuit Ampacity (A)	30
Maximum Overcurrent Protection (A)	45
Compressor	
DC Twin Rotary	
No. Used	1
Output Power (W)	1.3K
Outdoor Unit	
Cool/Heat	
Fan type	Propeller
Motor Type	DC Motor (8 poles)
Output Power (W)	90
Airflow (CFM) Cooling/Heating	750/740
Coil Type	
Aluminum (Blue Coated)	
Fin Type - Pipe Type	Corrugated Fin
Rows - F.P.I.	19
Face Area (sq.ft.)	9.41
Refrigerant	
R410A	
Lbs. - R410a (outdoor unit)	7.5
Control	Electronic Expansion Valve
Connection	Flare
Line Length, Max (ft.)	82
Elevation Difference, Max (ft.)	49
Line Size (in. O.D. Discharge)	1/4" x 5
Line Size (in. O.D. Suction)	3/8" x 5
Dimensions (HxWxD)	
Outdoor Unit (Crated) (in.)	44-3/4 x 42-5/16 x 19-29/32
Outdoor Unit (Uncrated) (in.)	39-11/32 x 37-1/32 x 13-13/32
Weight (lbs.)	
Outdoor	
Net	183
Shipping	201

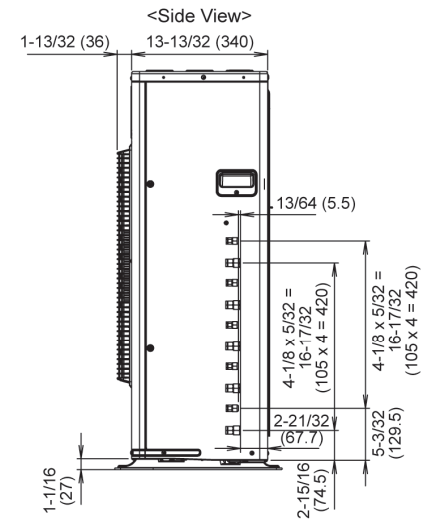
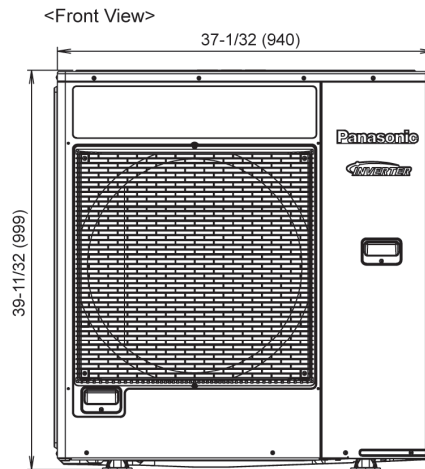
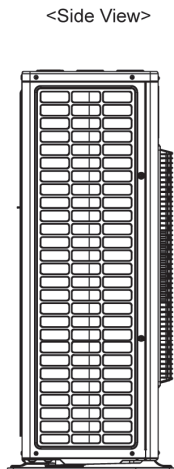
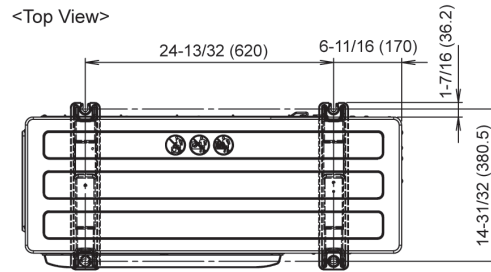
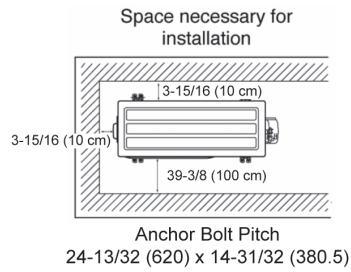
Performance Data @ ARI Standard Conditions (230/208V)	
Cooling	
Total Capacity (BTU/H)	36,000 (9,900-39,000)
Sensible Capacity (BTU/H)	33,840
Latent Capacity (BTU/H)	2,160

SEER	18.5
Dehumidification (Pints/H)	N/A
Amps (A)	17.2/19
Power Inputs (W)	3750 (Max 3860)
Outdoor Sound Rating (dB-A)	55
Heating	
Total Capacity (BTU/H)	37,800 (11,600-49,500)
HSPF	10.0
Amps (A)	13.4/14.8
Power Inputs (W)	2,900
Outdoor Sound Rating (dB-A)	55

Features	
Power Failure Automatic Restart	Built-In
Self-Diagnosis	Built-In
Air Filter	Washable, One-touch

Operating Range	Indoor Air Intake Temp	Outdoor Air Intake Temp
Cooling (Max)	90F DB/74F WB	115F DB/79F WB
Cooling (Min)	60F DB/52F WB	14F DB/-F WB
Heating (Max)	86F DB/-F WB	75F DB/64F WB
Heating (Min)	60F DB/-F WB	5F DB/3.2F WB

Outdoor Dimensions



Unit: inch (mm)

