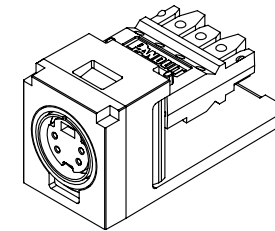
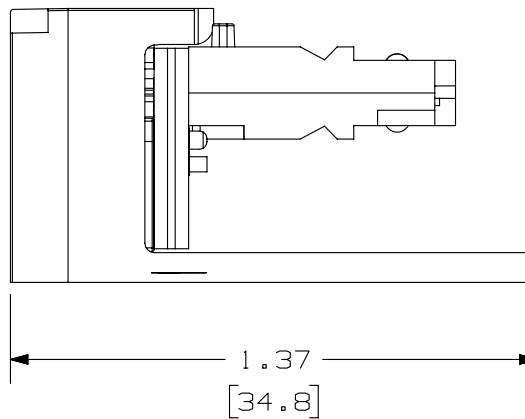
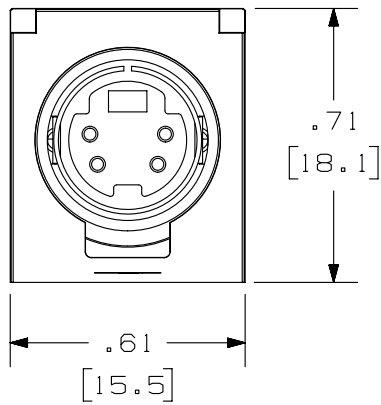


THIS COPY IS PROVIDED ON A RESTRICTED BASIS AND IS NOT TO BE USED IN ANY WAY DETRIMENTAL TO THE INTERESTS OF PANDUIT CORP.

PANDUIT P/N	WEIGHT
CJSV**	.14 LB/10 PCS (65.1g/10 PCS)

NOTES:

1. SEE CURRENT CATALOG FOR ADDITIONAL PART NUMBER SUFFIXES TO INDICATE COLOR AND OR PACKAGE QUANTITY.
2. SEE CATALOG FOR COMPLETE LIST OF PARTS APPLICABLE FOR USE WITH THIS PART .
3. DIMENSIONS IN [] ARE IN METRIC.



PART NUMBER		CJSV**	
TITLE			
MINI-COM S-VIDEO PUNCHDOWN MODULE			
CUSTOMER DRAWING			
ITEM REVISION NAME		M00839AA/02	
DATASET FILE NAME		M00839AA_DC/02C	
UNLESS OTHERWISE SPECIFIED, DIMENSIONAL TOLERANCES ARE: IN [mm]		MATERIAL:	
.x ± .xxx ± .010 [.3]		ABS	
.xx ± .03 [.8]		DRAWING NUMBER:	
ANGLES ±		00839-18	
THIRD ANGLE PROJECTION		SHT 1 OF 1	
DRAWN BY	DATE	CHK	SCALE
TA	05-02-00	DADY	NONE
DESCRIPTION		SIZE	
REV		A	

3	4/30/14	JSP	REFR	MMR	REVISED AND REDRAWN, PREVIOUS REVISIONS HAVE BEEN OMITTEED.	00839-18
REV	DATE	BY	CHK	APR	DESCRIPTION	ECN

D10100DA/14