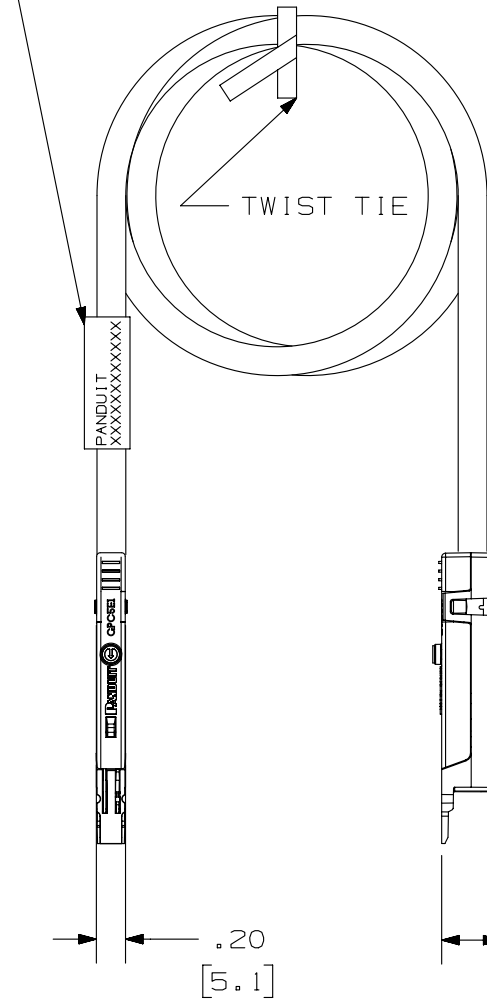


THIS COPY IS PROVIDED ON A RESTRICTED BASIS AND IS NOT TO BE USED IN ANY WAY DETRIMENTAL TO THE INTERESTS OF PANDUIT CORP.

IDENTIFICATION LABEL



PANDUIT P/N	MIN. CABLE LENGTH	WEIGHT
GPPC11G3Y	3 FT.	.462 LB/10 PCS (209.6 g/10 PCS)
GPPC11G5Y	5 FT.	.683 LB/10 PCS (309.8 g/10 PCS)
GPPC11G7Y	7 FT.	.881 LB/10 PCS (399.6 g/10 PCS)
GPPC11G9Y	9 FT.	1.057 LB/10 PCS (479.5 g/10 PCS)
GPPC11G14Y	14 FT.	1.476 LB/10 PCS (669.5 g/10 PCS)
GPPC11G20Y	20 FT.	1.960 LB/10 PCS (889.0 g/10 PCS)
GPPC11G1MY	1 METER	.505 LB/10 PCS (229.2 g/10 PCS)
GPPC11G2MY	2 METER	1.010 LB/10 PCS (458.4 g/10 PCS)
GPPC11G3MY	3 METER	1.516 LB/10 PCS (687.7 g/10 PCS)
GPPC11G5MY	5 METER	2.526 LB/10 PCS (1146.1 g/10 PCS)

NOTES:

1. SEE CURRENT CATALOG FOR VARIOUS APPLICATIONS AND TO INDICATE PACKAGE QUANTITY.
2. GP6 PLUS CONNECTORS ON BOTH ENDS. THE PATCH CORDS CAN BE USED WITH GP6 PLUS CONNECTING BLOCKS.
3. FEATURES INCLUDE A CLEAR CAP TO ENSURE PROPER WIRE SEQUENCE AND CONNECTOR ORIENTATION. RETAINING CLIPS SECURE THE JACKET CLOSE TO THE POINT OF TERMINATION WHICH MINIMIZES WIRE UNTWISTING. INTEGRAL STRAIN RELIEF MINIMIZES STRESS ON WIRES DURING DISCONNECTION.
4. POLARIZED TO PREVENT REVERSE INSTALLATION TO CONNECTOR BLOCK.
5. CATEGORY 3 UNSHIELDED TWISTED PAIR CABLE WITH 24AWG STRANDED TINNED COPPER CONDUCTOR.
6. DIMENSIONS IN [] ARE IN METRIC.

CONTACT	CABLE WIRE COLOR
1	WHITE/BLUE
2	BLUE

PART NUMBER		GPPC11GXY, GPPC11GXMY	
TITLE		1 PAIR GP6 PLUS PATCH CORD	
		CUSTOMER DRAWING	
ITEM REVISION NAME		M02479KZ/00	
DATASET FILE NAME		M02479KZ_DC_287/00B	
UNLESS OTHERWISE SPECIFIED, DIMENSIONAL TOLERANCES ARE: IN [mm]		MATERIAL:	
.x ± .xxx ± .010 [.3]		DRAWING NUMBER:	
.xx ± .03 [.8]		02479-287	
THIRD ANGLE PROJECTION		SHT 1 OF 1	
DRAWN BY	DATE	CHK	SCALE
TA	3-18-06	WJC	NONE
REV	DATE	BY	CHK
1	5/30/14	JSP	REFR
R	3-18-06	TA	WJC
APR	DESCRIPTION		ECN
	A. REVISED DRAWING TITEL BLOCK		02479-287
	RELEASED TO PRODUCTION		02479-287

D10100DA/14