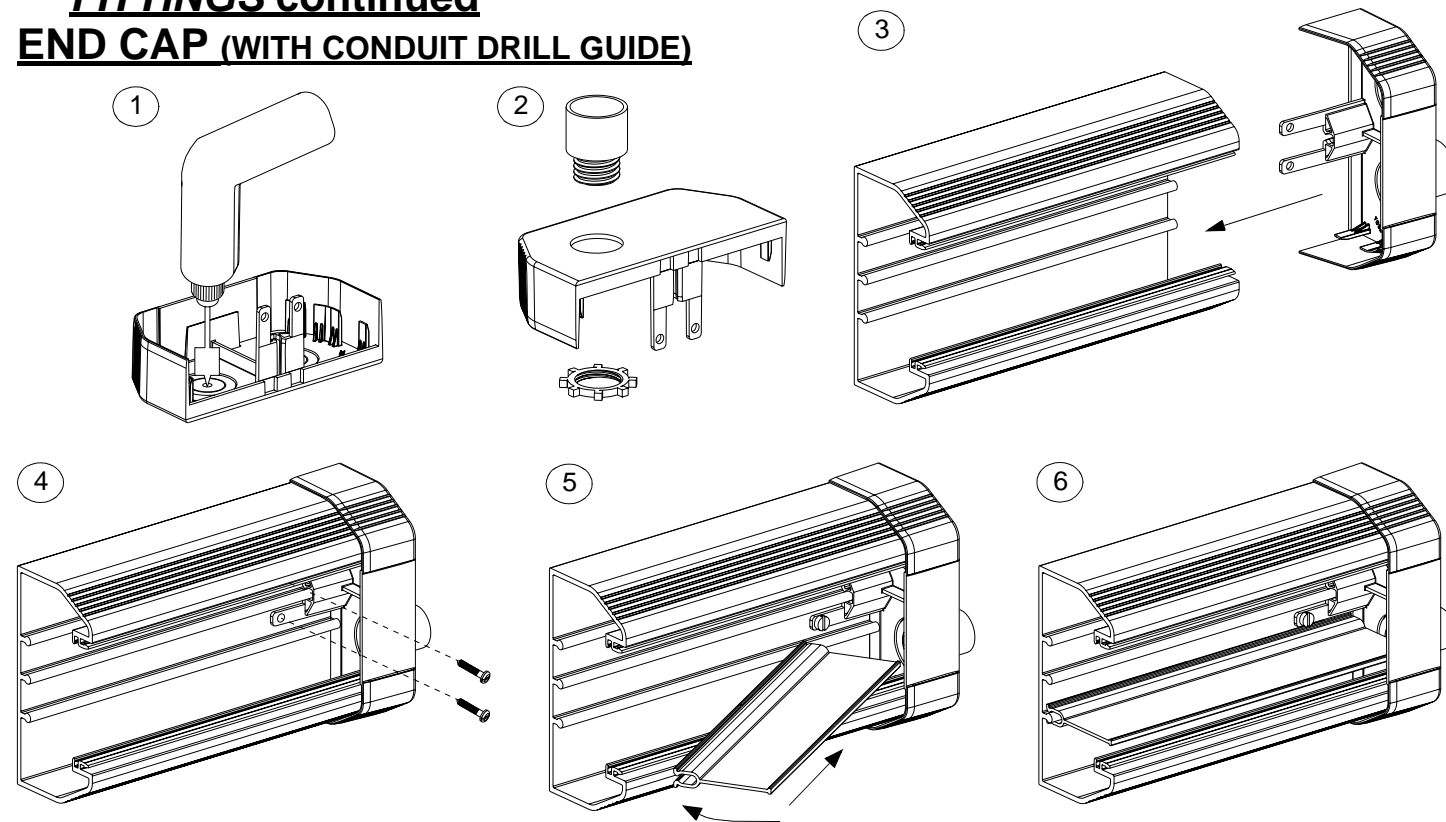


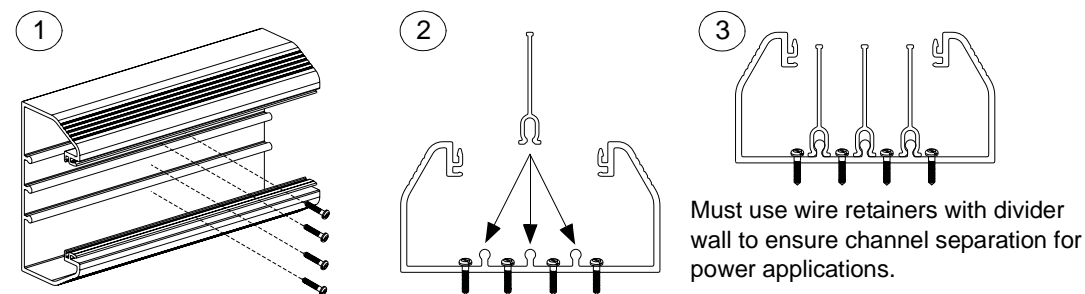
# TG RACEWAY SYSTEM INSTALLATION INSTRUCTIONS

## FITTINGS continued

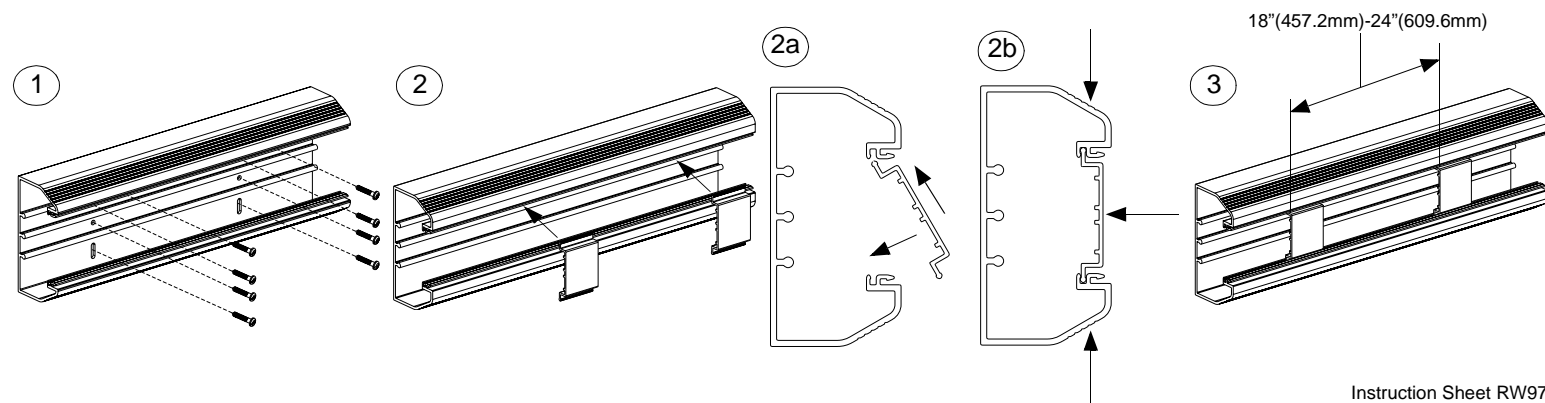
### END CAP (WITH CONDUIT DRILL GUIDE)



### ACCESSORIES DIVIDER WALL



### WIRE RETAINER



Instruction Sheet RW97

#### WORLDWIDE SUBSIDIARIES AND SALES OFFICES

17301 Ridgeland Avenue  
Tinley Park, IL 60477-3091  
Web Site: [www.panduit.com](http://www.panduit.com)



Technical Support: 866-405-6656  
Fax: 866-449-1702  
Email: [netconnsupport@panduit.com](mailto:netconnsupport@panduit.com)



## TG RACEWAY SYSTEM

Part Numbers: TG70B, T70C, TG70BC, T70CC, TG70WR  
TG80B, TEC80, TG80BC, TECFC80, TG80WR  
TG86B, TG86C, TG86BC, TCFC105, TG86WR  
TGRA, TREC, TGDW

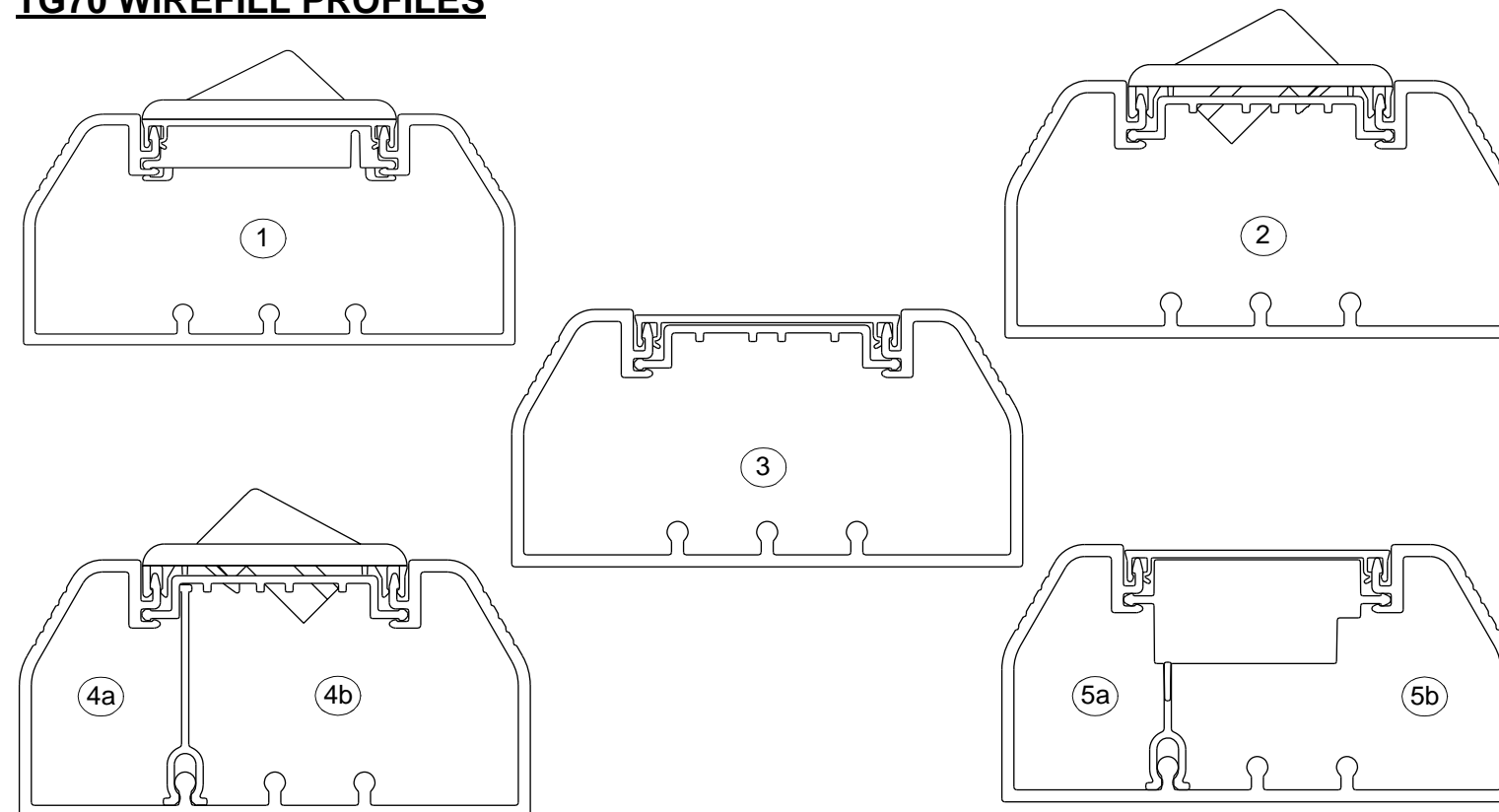
FOR USE WITH **PANDUIT**  
**SURFACE RACEWAY**  
**ROUTING SYSTEM**

### INSTALLATION INSTRUCTIONS

©Panduit Corp. 2000

#### TG70 WIREFILL PROFILES

Printed in U.S.A.



#### TG70 WIREFILL CHART

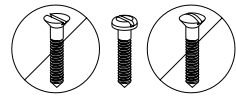
Raceway Channel Wirefill Configurations	See Fill #	*Electrical Cables AWG		
		14	12	10
		THHN/T90		
		0.105	0.122	0.153
		MAX	MAX	MAX
Wirefill #1: Data only using "Screw-On" Faceplates	1	**	**	**
Wirefill #2: Data only using "Snap-On" Bezels	2	**	**	**
Wirefill #3: TG-70 Raceway with no Devices	3	40	40	38
Wirefill #4: Power and Data using "Snap-On" Bezels and 3-Sided Power Box	4A	28	28	26
	4B	**	**	**
Wirefill #5: Power and Data using "Snap-On" Bezels and 3-Sided Power Box	5A	28	28	26
	5B	**	**	**

\* WIRES NOT BUNDLED

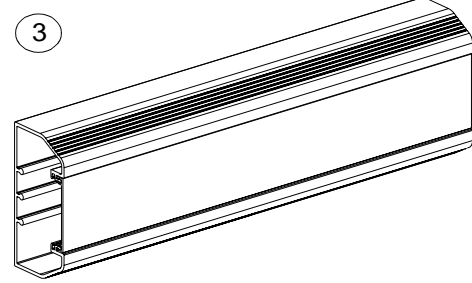
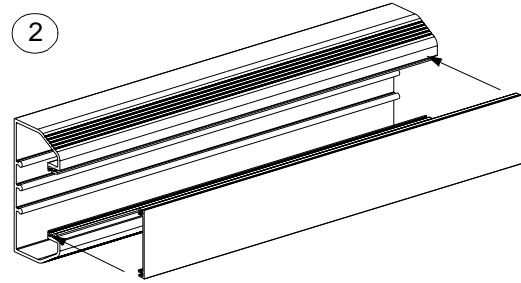
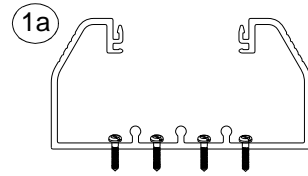
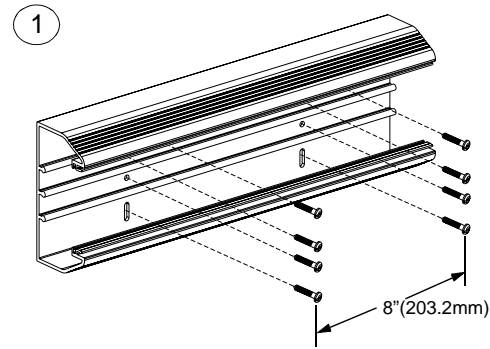
For Technical Assistance call: 866-405-6656

# TG RACEWAY SYSTEM INSTALLATION INSTRUCTIONS

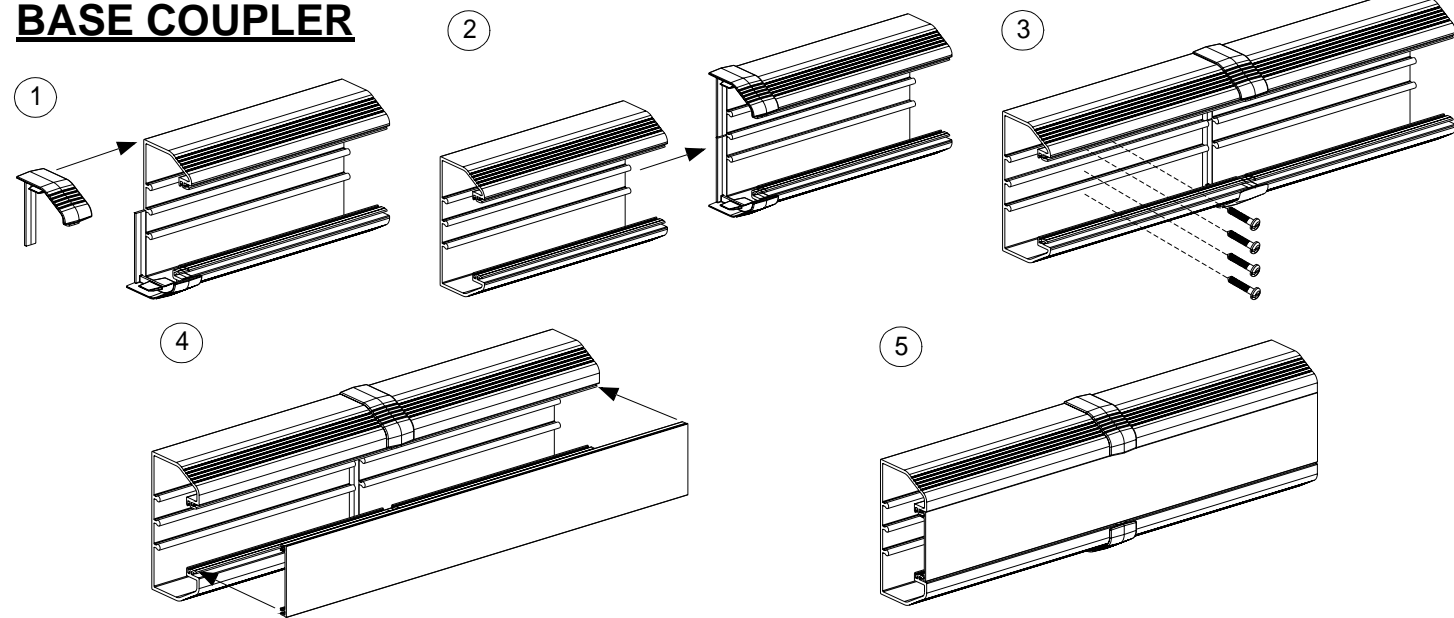
## BASE & COVER



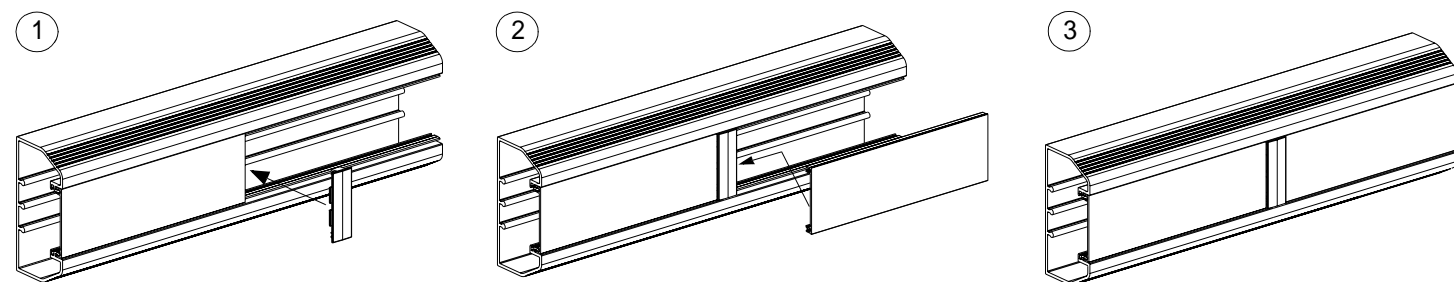
The mounting hardware used to secure the raceway shall be appropriate for the mounting



## FITTINGS BASE COUPLER

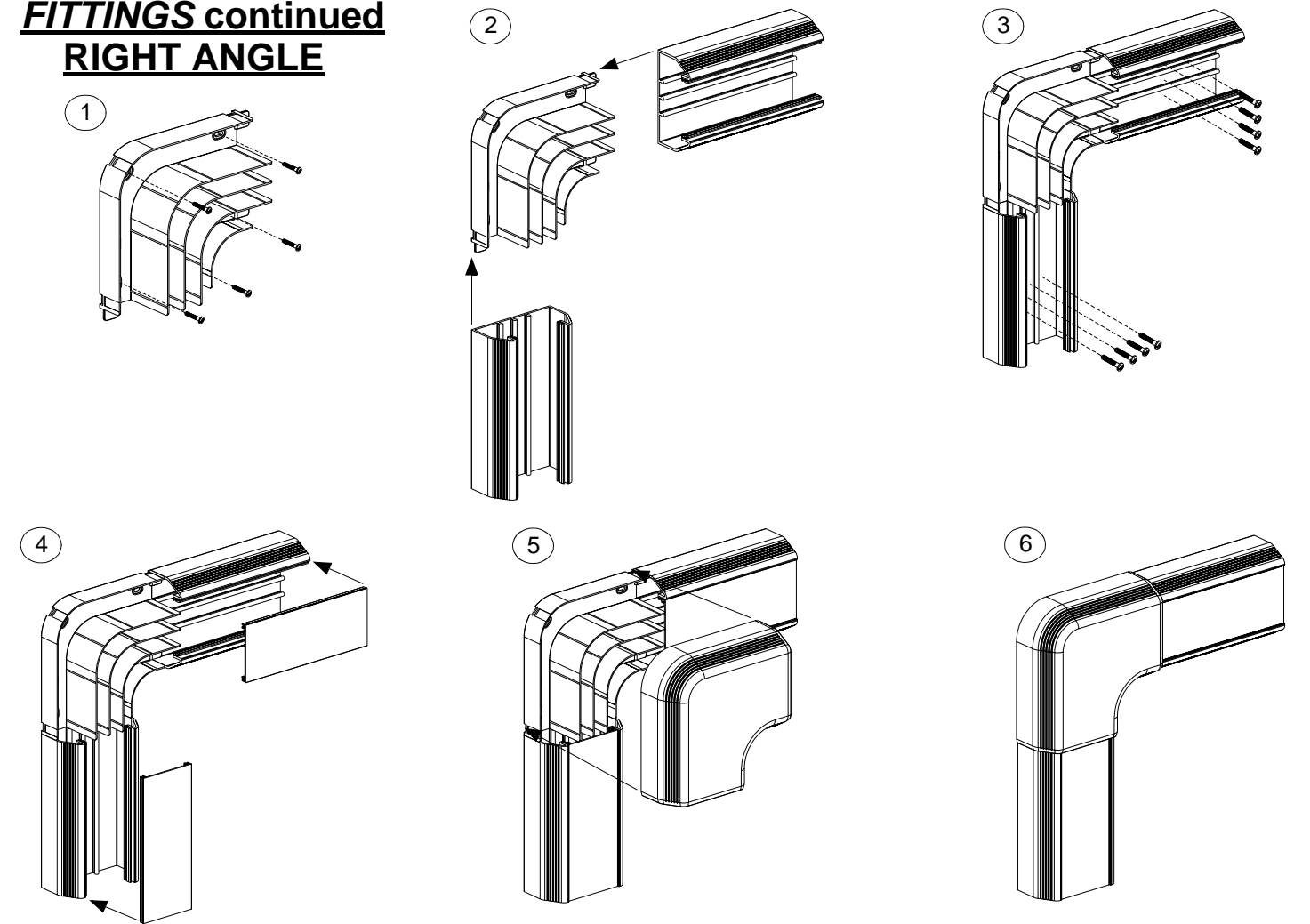


## COVER COUPLER



# TG RACEWAY SYSTEM INSTALLATION INSTRUCTIONS

## FITTINGS continued RIGHT ANGLE



## END CAP

