

RENEWAL PARTS

IC2800-Y108, IC2801-AY206, AND IC2801-AY259 CONTACTORS

Forms A, B, C, D, E, F, G, H, J, K, L, M,
N, P, Q, R, S, T, U, and V

NOTE:—When ordering parts for a form of the contactor not covered by this bulletin, give reference number, description of part, complete nameplate reading, and above bulletin (GEF) number. Do not use catalog number when form for which the parts are needed is not covered by the bulletin.

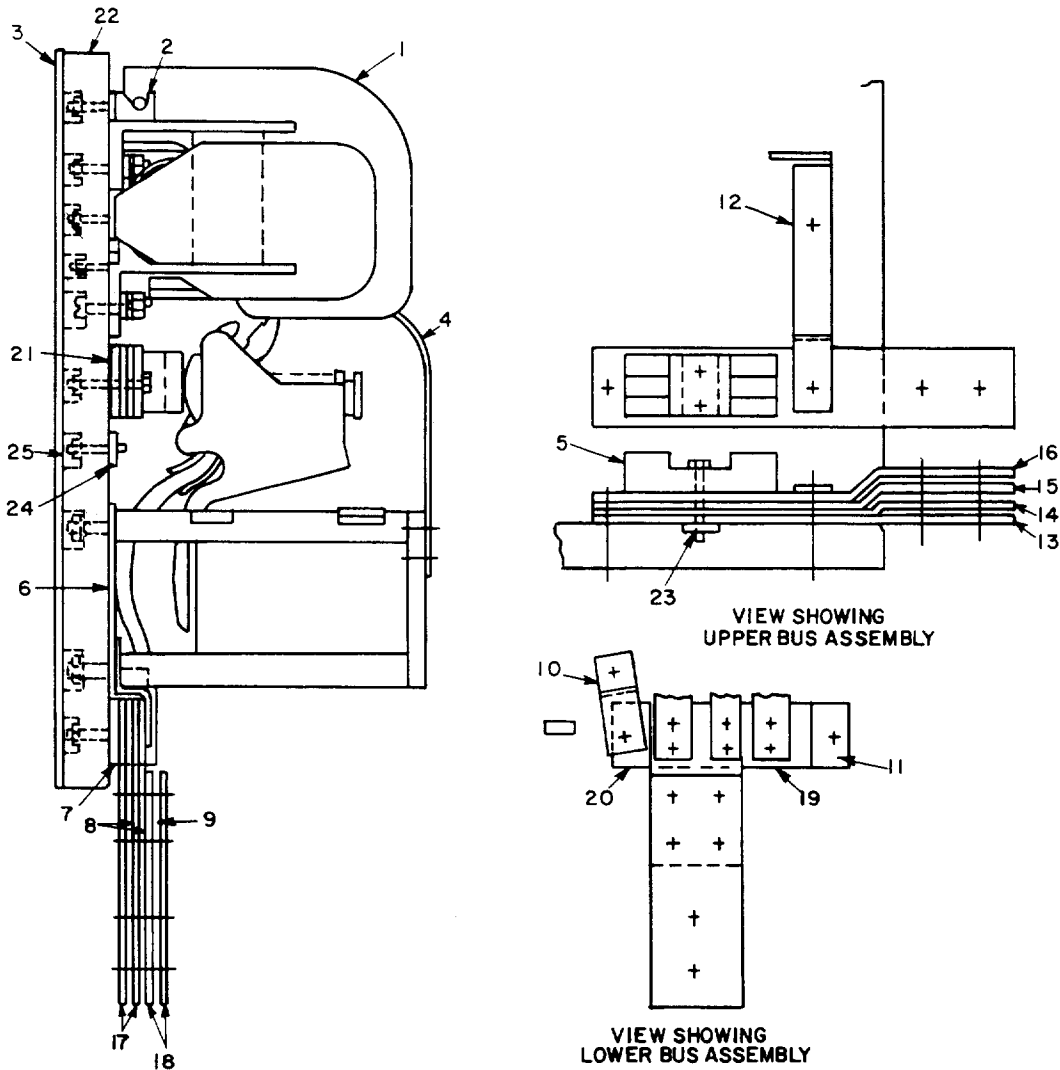


Fig. 1. IC2800-Y108 contactor parts

When ordering renewal parts, give quantity, catalog number, description of each item required, and complete nameplate reading.



IC2800-Y108 CONTACTORS

PARTS RECOMMENDED FOR NORMAL STOCK (IC2800-Y108 CONTACTORS)

Fig. No.	Ref. No.	IC2800-Y108- (No. required per contactor)													Catalog Number	Description							
		A	B	C	D	E	F	G	H	J	K	L	M	N			P	Q	R	S	T	U	V
	*	1	1	1	1	1	1	1	1	1	1	1	1	1	-	1	1	1	1	1	1	4330804	Arc chute side, left
	*	1	1	1	1	1	1	1	1	1	1	1	1	1	-	1	1	1	1	1	1	4330805	Arc chute side, right
1	5	1	1	1	1	1	1	1	1	1	1	1	1	1	1	1	1	1	1	1	1	9034388G2	Main stationary contact tip
2	33	1	1	1	1	1	1	1	1	1	1	1	1	1	-	1	1	1	1	1	1	2459875	Movable arcing contact tip
2	36	1	1	1	1	1	1	1	1	1	1	1	1	1	-	1	1	1	1	1	1	4338327G2	Shunt for movable arcing contact
2	37	1	1	1	1	1	1	1	1	1	1	1	1	1	1	1	1	1	1	1	1	2413372	Compression spring for movable arcing contact tip
2	38	2	2	2	2	2	2	2	2	2	2	2	2	2	2	2	2	2	2	2	2	3866756G2	Main movable contact tip
2	39	2	2	2	2	2	2	2	2	2	2	2	2	2	2	2	2	2	2	2	2	4338327G1	Shunt for main movable contact
2	41	2	2	2	2	2	2	2	2	2	2	2	2	2	2	2	2	2	2	2	2	2413371	Compression spring for main movable contact
3	53	1	1	1	1	1	1	1	1	1	1	1	1	-	1	1	1	1	1	1	1	2458490	Stationary arcing contact tip
4	69	†	†	†	†	†	†	†	†	†	†	†	†	†	†	†	†	†	†	†	†	See Table	Operating coil
	*	†	†	†	†	†	†	†	†	†	†	†	†	†	†	†	†	†	†	†	†	See Table	Set of interlock contacts, springs, and screws

*Not shown

†Quantity variable

OPERATING COILS, PICK-UP AND HOLDING RESISTORS, RECTIFIERS, AUXILIARY CONTACTORS, AND AUXILIARY CONTACTOR COILS FOR IC2800-Y108 CONTACTORS

NOTE: The number following the form letters in the IC designation identifies the operating coils, pick-up or holding resistors, rectifiers, and auxiliary contactors. Each must be ordered separately from the table below.

EXAMPLE: IC2800-Y108-A-104-B contactor requires operating coil number 104, Cat. No. 22D63G15A and holding resistor, Cat. No. A100G500EA/TH.

Coil No.	Coil		Pick-up Resistor		Holding Resistor		Rectifier		Auxiliary Contactor		Auxiliary Contactor Coil	
	Catalog No.	No. Req.	Catalog No.	No. Req.	Catalog No.	No. Req.	Catalog No.	No. Req.	Catalog No.	No. Req.	Catalog No.	No. Req.
3	22D63G14A	2	---		A100G50EA*	1	---		---	---		
					A100G150EA*	1						
					A100G250EA*	1						
7	22D63G10A	6†	A100G5EA/TH A100G2EA/TH	1 1	235L490G62	1	IC3500A403C5	1	CR2810A14AC4	1	22D135G4	1
8	22D63G3A	2	---		A100G75EA/TH	2	IC3500A403C6	1	CR2810A14AC3	1	22D135G3	1
					A100G10EA/TH	2						
8	22D63G3A	4†	---		A160H100EA/TH	3	IC3500A403C5	1	CR2810A14AC4	1	22D135G4	1
11	22D63G18A	4†	---		A160H10EA/TH	2	IC3500A403C2	1	CR2810A14AC2	1	22D135G2	1
					A160H3EA/TH	1						
12	22D63G17A	2	---		A100G25EA	1	---		---		---	
					A160H50EA/TH	1						
12	22D63G17A	4†	---		A160H25EA/TH	1	IC3500A403C6	1	CR2810A14AC3	1	22D135G3	1
					A160H15EA/TH	1						
20	22D63G25A	2	---		A100G25EA/TH	1	IC3500A403C2	1	CR2810A14AC2	1	22D135G2	1
					A100G10EA/TH	1						
25	22D63G5A	2	---		A100G5EA	1	---		---		---	
25	22D63G5A	6†	A100G1EA/TH	1	235L490G61	1	IC3500A403C6	1	CR2810A14AC3	1	22D135G3	1
31	22D63G12A	2	φ		A100G10EA	1	φ		---		---	
33	22D63G15A	2	φ		A100G1000EA	1	φ		---		---	
36	22D63G14A	2	φ		φ	1	φ		---		---	
37	22D63G22A	6†	---		235L490G63	2	IC3500A403C8	1	CR2810A14AC5†	1	22D135G5‡	1
39	22D63G35A	2	---		A100G500EA/TH	1	IC3500A403C8	1	CR2810A14AC5†	1	22D135G5‡	1
41	22D63G7A	2	---		A100G250EA/TH	2	IC3500A403C5	1	CR2810A14AC4	1	22D135G4	1
					A100G150EA/TH	1						
42	22D63G2A	4†	---		A160H150EA/TH	3	IC3500A403C8	1	CR2810A14AC5†	1	22D135G5‡	1
43	22D63G20A	6†	IC9033B2C11AB	2	235L490G60	1	IC3500A403C4	1	CR2810A14AC2	1	22D135G2	1
101	22D63G36A	2	---		A100G25EA/TH	2	---		---		---	
102	22D63G23A	2	---		A100G100EA/TH	2	---		---		---	
104	22D63G15A	2	---		A100G500EA/TH	2	---		---		---	
109	22D63G9A	2	---		---	2	---		---		---	
110	22D63G37A	2	---		A100G10EA/TH	2	---		---		---	
115	22D63G8A	2	---		A100G100EA/TH	2	---		---		---	
119	22D63G22A	2	---		A100G25EA/TH	2	---		---		---	
122	22D63G17A	2	---		A100G10EA/TH	2	---		---		---	
127	22D63G18A	2	---		A100G4EA/TH	2	---		---		---	
128	22D63G27	2	---		A100G2EA/TH	2	---		---		---	
129	22D63G17A	2	---		A100G10EA/TH	1	---		---		---	
					A100G25EA/TH	1						
130	22D63G35A	2	---		A100G350EA/TH	2	---		---		---	
140	22D63G36A	2	---		A200J75EA/TH	1	---		---		---	
					A200J50EA/TH	1						
141	22D63G36A	2	---		---	2	---		---		---	
142	22D63G38A	2	---		---	2	---		---		---	
142	22D63G38A	8Δ	IC9033B1C11AB	2	235L490G64	1	IC3500A403C4	2	CR2810A14AC7	1	22D135G7	1
143	22D63G39A	2	---		A100G10EA/TH	2	---		---		---	
144	22D63G38A	2	---		A100G10EA/TH	1	---		---		---	
					A100G2EA/TH	1						

* For 125, 250, or 275 volts respectively. Specify when ordering.

† Six required for three contactors. Coils connected in series.

‡ Four required for two contactors. Coils connected in series.

φ Order by description and give complete nameplate data for contactor.

§ For 600 volt application, order Cat. No. CR2810A14AC6.

§ For 600 volt application, order Cat. No. 22D135G6.

Δ 8 required for four contactors. Coils connected in series.

IC2800-Y108 CONTACTORS

GEF-4607

ELECTRICAL INTERLOCKS FOR IC2800- Y108 CONTACTORS

NOTE: The interlock is identified by the last letter in the IC designation.

EXAMPLE: IC2800-Y108-A-2-B requires interlock switch unit number B,
Cat. No's IC2956A200B and IC2956A200C.

Interlock Letter	Interlock Switch Unit				*Set of Interlock Contacts	Interlock Mounting Kit	
	Upper Left (one)	Lower Left (one)	Upper Right (one)	Lower Right (one)		Cat. No.	No. Req.
	Cat. No.	Cat. No.	Cat. No.	Cat. No.	Cat. No.		
B	IC2956A200B	---	IC2956A200C	---	6960053G3	112B9742G1	1
C	IC2956A200B	---	IC2956A200A	---	6960053G3	112B9742G1	1
D	IC2956A200B	---	IC2956A200B	---	6960053G3	112B9742G1	1
E	IC2956A200B	IC2956A200A	IC2956A200C	IC2956A200A	6960053G3	112B9742G2	1
F	IC2956A200B	IC2956A200B	IC2956A200C	IC2956A200B	6960053G3	112B9742G2	1
G	IC2956A200B	IC2956A200C	IC2956A200C	IC2956A200C	6960053G3	112B9742G2	1
H	IC2956A200B	IC2956A200A	IC2956A200A	IC2956A200A	6960053G3	112B9742G2	1
J	IC2956A200B	IC2956A200B	IC2956A200A	IC2956A200B	6960053G3	112B9742G2	1
K	IC2956A200B	IC2956A200C	IC2956A200A	IC2956A200C	6960053G3	112B9742G2	1
L	IC2956A200B	IC2956A200A	IC2956A200B	IC2956A200A	6960053G3	112B9742G2	1
M	IC2956A200B	IC2956A200B	IC2956A200B	IC2956A200B	6960053G3	112B9742G2	1
N	IC2956A200B	IC2956A200C	IC2956A200B	IC2956A200C	6960053G3	112B9742G2	1
P	IC2956A200B	IC2956A200B	IC2956A200C	IC2956A200C	6960053G3	112B9742G2	1
R	IC2956A200B	IC2956A200C	IC2956A200C	IC2956A200A	6960053G3	112B9742G2	1
S	IC2956A200B	IC2956A200B	IC2956A200A	IC2956A200A	6960053G3	112B9742G2	1
T	IC2956A200B	IC2956A200C	IC2956A200A	IC2956A200A	6960053G3	112B9742G2	1
V	IC2956A200B	---	IC2956A200C	---	6960053G3	112B9742G1	1
W	IC2956A200B	---	IC2956A200A	---	6960053G3	112B9742G1	1
Y	IC2956A200B	---	IC2956A200B	---	6960053G3	112B9742G1	1
AB	---	---	IC2956A200C	IC2956A200C	6960053G3	112B9742G1	1
BB	IC2956A200C	---	IC2956A200B	---	6960053G3	112B9742G1	1
BC	IC2956A200A	---	IC2956A200B	---	6960053G3	112B9742G1	1
BD	IC2956A200B	---	IC2956A200B	---	6960053G3	112B9742G1	1
BE	IC2956A200C	IC2956A200A	IC2956A200B	IC2956A200A	6960053G3	112B9742G2	1
BF	IC2956A200C	IC2956A200B	IC2956A200B	IC2956A200B	6960053G3	112B9742G2	1
BG	IC2956A200C	IC2956A200C	IC2956A200B	IC2956A200C	6960053G3	112B9742G2	1
BH	IC2956A200A	IC2956A200A	IC2956A200B	IC2956A200A	6960053G3	112B9742G2	1
BJ	IC2956A200A	IC2956A200B	IC2956A200B	IC2956A200B	6960053G3	112B9742G2	1
BK	IC2956A200A	IC2956A200C	IC2956A200B	IC2956A200C	6960053G3	112B9742G2	1
BL	IC2956A200B	IC2956A200A	IC2956A200B	IC2956A200A	6960053G3	112B9742G2	1
BM	IC2956A200B	IC2956A200A	IC2956A200B	IC2956A200A	6960053G3	112B9742G2	1
BN	IC2956A200B	IC2956A200C	IC2956A200B	IC2956A200C	6960053G3	112B9742G2	1
BP	IC2956A200C	IC2956A200A	IC2956A200B	IC2956A200B	6960053G3	112B9742G2	1
BR	IC2956A200C	IC2956A200A	IC2956A200B	IC2956A200C	6960053G3	112B9742G2	1
BS	IC2956A200A	IC2956A200A	IC2956A200B	IC2956A200B	6960053G3	112B9742G2	1
BT	IC2956A200A	IC2956A200A	IC2956A200B	IC2956A200C	6960053G3	112B9742G2	1
BV	IC2956A200C	---	IC2956A200B	---	6960053G3	112B9742G1	1
BW	IC2956A200A	---	IC2956A200B	---	6960053G3	112B9742G1	1
BY	IC2956A200B	---	IC2956A200B	---	6960053G3	112B9742G1	1
CE	IC2956A200B	IC2956A205C	IC2956A200A	IC2956A205C	6960053G46	112B9742G2	1
CF	IC2956A200B	---	IC2956A200C	---	6960053G3	112B9742G1	1
CG	IC2956A200AK	---	IC2956A200AK	---	6960053G3	112B9742G1	1
CH	IC2956A200AK	---	IC2956A200AJ	---	6960053G3	112B9742G1	1
CJ	IC2956A200AK	---	IC2956A200AH	---	6960053G3	112B9742G1	1
CK	IC2956A200AK	IC2956A200AJ	IC2956A200AJ	IC2956A200AJ	6960053G3	112B9742G1	1
CL	IC2956A200B	IC2956A200C	IC2956A200C	IC2956A205C	6960053G3	112B9742G1	1
CM	IC2956A200C	IC2956A200C	IC2956A200B	IC2956A200C	6960053G3	112B9742G2	1
CN	IC2956A200A	---	IC2956A200C	---	6960053G3	112B9742G1	1

* Includes movable and stationary contacts with springs and contact holding screws for one switch unit.

IC2800-Y108 CONTACTORS

GEF-4607

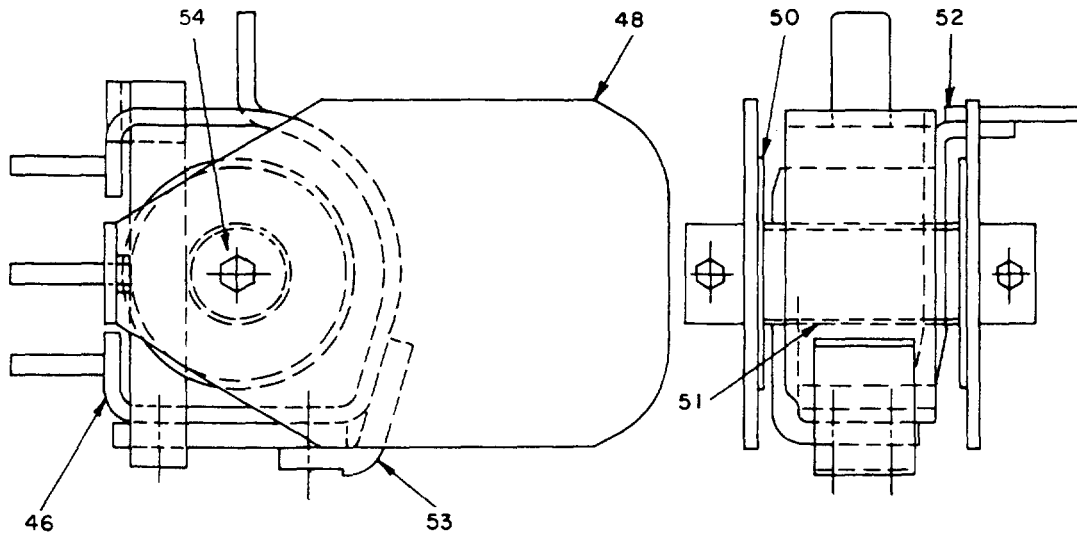


Fig. 3. Blowout coil and stationary contact parts

COMPLETE LIST OF PARTS FOR IC2800-Y108 CONTACTORS (Cont'd)

Fig. No.	Ref. No.	IC2800-Y108- (No. required per contactor)																			Catalog Number	Description	
		A	B	C	D	E	F	G	H	J	K	L	M	N	P	Q	R	S	T	U			V
1	13	-	-	-	-	-	-	-	-	-	1	1	-	-	-	-	-	-	-	-	-	181A1119G8	Bus bar, upper
1	13	-	-	-	-	-	-	-	-	-	-	-	-	-	-	-	-	-	-	-	-	181A1119G9	Bus bar, upper
1	14	1	-	1	-	-	-	-	-	1	-	-	-	-	-	1	-	-	1	-	-	112B9710P2	Bus bar, upper
1	15	1	-	1	-	-	-	-	-	1	-	-	-	-	-	1	-	-	1	-	-	112B9710P3	Bus bar, upper
1	16	1	-	1	-	-	-	-	-	1	-	-	-	-	-	1	-	-	1	-	-	112B9710P4	Bus bar, upper
1	17	2	2	2	2	2	2	2	2	2	2	2	2	2	2	2	2	2	2	2	2	112B9710P6	Bus bar, lower
1	18	2	2	2	2	2	2	2	2	2	2	2	2	2	2	2	2	2	2	2	2	112B9710P7	Bus bar, lower
1	14	-	-	-	-	-	-	-	-	-	1	1	-	-	-	-	-	-	-	-	-	112B9710P11	Bus bar, upper
1	15	-	-	-	-	-	-	-	-	-	1	1	-	-	-	-	-	-	-	-	-	112B9710P12	Bus bar, upper
1	16	-	-	-	-	-	-	-	-	-	1	1	-	-	-	-	-	-	-	-	-	112B9710P13	Bus bar, upper
1	14	-	1	-	1	-	-	-	-	1	-	-	-	-	-	-	-	-	-	-	-	112B9717P2	Bus bar, upper
1	15	-	1	-	1	-	-	-	-	1	-	-	-	-	-	-	-	-	-	-	-	112B9717P3	Bus bar, upper
1	16	-	1	-	1	-	-	-	-	1	-	-	-	-	-	-	-	-	-	-	-	112B9717P4	Bus bar, upper
1	16	-	-	-	-	1	-	-	-	-	-	-	-	-	-	-	-	-	-	-	-	129B8045P3	Bus bar, upper
1	15	-	-	-	-	1	-	-	-	-	-	-	-	-	-	-	-	-	-	-	-	129B8045P4	Bus bar, upper
1	14	-	-	-	-	1	-	-	-	-	-	-	-	-	-	-	-	-	-	-	-	129B8045P5	Bus bar, upper
1	14	-	-	-	-	1	-	-	-	-	-	-	-	-	-	-	-	-	-	-	-	129B9493P2	Bus bar, upper
1	15	-	-	-	-	1	-	-	-	-	-	-	-	-	1	-	-	1	-	-	-	129B9493P3	Bus bar, upper
1	16	-	-	-	-	1	-	-	-	-	-	-	-	-	1	-	-	1	-	-	-	129B9493P4	Bus bar, upper
1	14	-	-	-	-	1	-	-	-	-	-	-	-	-	1	-	-	1	-	-	-	129B9493P6	Bus bar, upper
1	15	-	-	-	-	1	-	-	-	-	-	-	-	-	1	-	-	1	-	-	-	129B9493P7	Bus bar, upper
1	16	-	-	-	-	1	-	-	-	-	-	-	-	-	1	-	-	1	-	-	-	129B9493P8	Bus bar, upper
1	14	-	-	-	-	1	-	-	-	-	-	-	-	-	-	-	-	-	-	-	-	129B9493P14	Bus bar, upper
1	15	-	-	-	-	1	-	-	-	-	-	-	-	-	-	-	-	-	-	-	-	129B9493P15	Bus bar, upper
1	16	-	-	-	-	1	-	-	-	-	-	-	-	-	-	-	-	-	-	-	-	129B9493P16	Bus bar, upper
1	19	2	2	2	2	2	2	2	2	2	2	2	2	2	2	2	2	2	2	2	2	106B9294P9	Filler, between connector and frame
1	20	2	2	2	2	2	2	2	2	2	2	2	2	2	2	2	2	2	2	2	2	106B9294P10	Filler, between connector and frame
1	21	†	†	†	†	†	†	†	†	†	†	†	†	†	†	†	†	†	†	†	†	5356723	Shim, between upper bus connection block and base
1	22	1	1	-	-	-	-	-	-	-	-	-	-	-	-	-	-	-	1	-	-	112B9707P1	Base
1	22	-	-	1	1	-	-	-	-	1	1	-	-	-	-	-	-	-	-	-	-	112B9707P2	Base
1	22	-	-	-	-	1	-	-	-	-	-	-	-	-	-	-	-	-	-	-	-	129B8079P1	Base
1	22	-	-	-	-	1	-	-	-	-	-	-	-	-	-	-	-	-	-	-	-	129B9491P1	Base
1	22	-	-	-	-	1	-	-	-	-	-	-	-	-	-	-	-	-	-	-	-	129B9491P2	Base
1	22	-	-	-	-	1	-	-	-	-	-	-	-	-	-	-	-	-	-	-	-	129B9492P1	Base
1	22	-	-	-	-	1	-	-	-	-	-	-	-	-	-	-	-	-	-	-	-	129B9492P2	Base
1	22	-	-	-	-	1	-	-	-	-	1	-	-	-	-	-	-	-	-	-	-	149B1943P1	Base
1	22	-	-	-	-	1	-	-	-	-	1	-	-	-	-	-	-	-	-	-	-	149B1943P2	Base
1	22	-	-	-	-	1	-	-	-	-	-	-	-	-	-	1	-	-	-	-	-	218A8437P1	Base
1	22	-	-	-	-	1	-	-	-	-	-	-	-	-	-	-	1	-	-	-	-	68J120202-MJ0101	Base
1	22	-	-	-	-	1	-	-	-	-	-	-	-	-	-	-	-	1	-	-	-	68J120202-MK0101	Base

†Quantity variable

IC2800-Y108 CONTACTORS

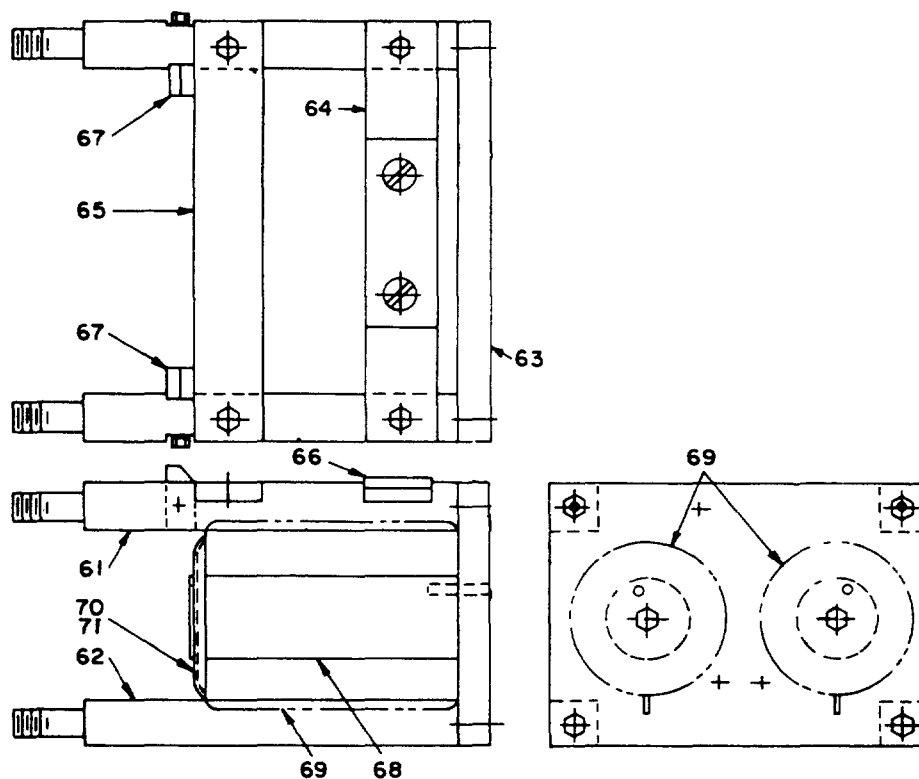


Fig. 4. Magnet frame and associated parts

COMPLETE LIST OF PARTS FOR IC2800-Y108 CONTACTORS (Cont'd)

Fig. No.	Ref. No.	IC2800-Y108- (No. required per contactor)																				Catalog Number	Description
		A	B	C	D	E	F	G	H	J	K	L	M	N	P	Q	R	S	T	U	V		
1	23	1	1	1	1	1	1	1	1	1	1	1	1	1	1	1	1	1	1	1	1	112B9717P6	Plate, between bolt holding upper bus connection bar and bus bars
1	24	1	-	1	-	-	-	-	1	-	1	1	-	-	1	-	-	1	-	-	-	167A8966P1	Spacer, for mounting panel bolt
1	25	2	-	2	-	-	-	-	2	-	2	2	-	-	2	-	-	2	-	-	-	286A113P42	Bolt, for mounting panel
	*	-	-	-	-	-	1	-	-	-	-	-	1	-	-	1	-	-	1	-	-	174A6226P1	Spacer
	*	-	-	-	-	-	1	-	-	-	-	-	1	-	-	1	-	-	1	-	1	174A6226P2	Spacer
	*	-	-	-	-	-	1	1	-	-	-	-	1	1	-	1	1	-	1	1	1	174A7311P1	Spacer
	*	†	†	†	†	†	†	†	†	†	†	†	†	†	†	†	†	†	†	†	†	194A1805	Shim, between bus bars and base
	*	2	2	2	2	2	2	2	2	2	2	2	2	2	2	2	2	2	2	2	2	205A3875P1	Saddle clamp
2	-	1	1	1	1	-	-	-	1	1	1	1	-	-	-	-	-	1	-	-	-	106B9285G2	Armature assembly, complete
2	-	-	-	-	-	1	-	-	-	-	-	-	-	-	-	-	-	-	-	-	-	106B9285G4	Armature assembly, complete
2	-	-	-	-	-	-	1	-	-	-	-	-	1	-	-	1	-	-	1	-	-	106B9285G9	Armature assembly, complete
2	-	-	-	-	-	-	1	-	-	-	-	-	-	1	-	-	-	-	-	1	1	106B9285G10	Armature assembly, complete
2	-	-	-	-	-	-	-	-	-	-	-	-	-	-	1	-	-	-	-	-	-	106B9285G16	Armature assembly, complete
2	31	1	1	1	1	-	1	1	1	1	1	1	1	1	1	1	1	1	1	1	1	4335197P1	Armature bracket
2	31	-	-	-	-	1	-	-	-	-	-	-	-	-	-	-	-	-	-	-	-	129B8706P1	Armature bracket
2	32	2	2	2	2	2	1	1	2	2	2	2	1	1	2	1	1	2	1	1	1	2459857	Retaining pin
2	32	-	-	-	-	-	1	1	-	-	-	-	1	1	-	1	1	-	1	1	1	174A6228P1	Retaining pin
2	33	1	1	1	1	1	1	1	1	1	1	1	1	1	-	1	1	1	1	1	1	2459875	Movable arcing contact tip
2	34	1	1	1	1	1	1	1	1	1	1	1	1	1	-	1	1	1	1	1	1	5303399G1	Support for movable arcing contact
2	35	1	1	1	1	1	1	1	1	1	1	1	1	1	1	1	1	1	1	1	1	2833573G1	Fulcrum support with guide plate
2	36	1	1	1	1	1	1	1	1	1	1	1	1	1	-	1	1	1	1	1	1	4338327G2	Shunt for movable arcing contact
2	37	1	1	1	1	1	1	1	1	1	1	1	1	1	1	1	1	1	1	1	1	2413372	Compression spring for movable arcing contact
2	38	2	2	2	2	2	2	2	2	2	2	2	2	2	2	2	2	2	2	2	2	3866756G2	Main movable contact tip
2	39	2	2	2	2	2	2	2	2	2	2	2	2	2	2	2	2	2	2	2	2	4338327G1	Shunt for main movable contact
2	40	2	2	2	2	2	2	2	2	2	2	2	2	2	2	2	2	2	2	2	2	2459864	Stop plate for main movable contact
2	41	2	2	2	2	2	2	2	2	2	2	2	2	2	2	2	2	2	2	2	2	2413371	Compression spring for main movable contact
2	42	2	2	2	2	2	2	2	2	2	2	2	2	2	2	2	2	2	2	2	2	8626315G2	Fulcrum pin for main movable contact
2	43	2	2	2	2	2	2	2	2	2	2	2	2	2	2	2	2	2	2	2	2	2459876	Adjustable nut for fulcrum pin

* Not shown
 † Quantity variable

IC2800-Y108 CONTACTORS

GEF-4607

COMPLETE LIST OF PARTS FOR IC2800-Y108 CONTACTORS (Cont'd)

Fig. No.	Ref. No.	IC2800-Y108-																				Catalog Number	Description
		(No. required per contactor)																					
		A	B	C	D	E	F	G	H	J	K	L	M	N	P	Q	R	S	T	U	V		
3	-	1	1	1	1	1	1	1	-	-	1	1	1	1	-	-	-	1	-	-	1	106B9290G1	Blowout coil and bracket assembly, complete
3	-	-	-	-	-	-	-	-	1	1	-	-	-	-	-	-	-	-	-	-	-	106B9290G4	Blowout coil and bracket assembly, complete
3	-	-	-	-	-	-	-	-	-	-	-	-	-	-	-	1	1	-	1	1	-	129B8773G1	Blowout coil and bracket assembly, complete
3	46	1	1	1	1	1	1	1	1	1	1	1	1	1	-	-	-	1	-	-	-	147A5748G1	Bracket for stationary contact and blowout coil
3	46	-	-	-	-	-	-	-	-	-	-	-	-	-	-	1	1	-	1	1	-	3865674G1	Bracket for stationary contact and blowout coil
3	48	2	2	2	2	2	2	2	2	2	2	2	2	2	-	-	-	2	-	-	-	4375990G3	Pole piece, with stud
3	48	-	-	-	-	-	-	-	-	-	-	-	-	-	-	1	1	-	1	1	-	2833563G1	Pole piece for blowout coil, left-hand
3	48	-	-	-	-	-	-	-	-	-	-	-	-	-	-	1	1	-	1	1	-	2833563G2	Pole piece for blowout coil, right-hand
3	50	2	2	2	2	2	2	2	-	-	2	2	2	2	-	2	2	2	2	2	2	287A103P1	Spool flange
3	50	-	-	-	-	-	2	2	-	-	-	-	-	-	-	-	-	-	-	-	-	287A103P4	Spool flange
3	51	1	1	1	1	1	1	1	-	-	1	1	1	1	-	1	1	1	1	1	1	2459442P1	Insulation tube
3	51	-	-	-	-	-	-	1	1	-	-	-	-	-	-	-	-	-	-	-	-	2459442P2	Insulation tube
3	52	1	1	1	1	1	1	1	1	1	1	1	1	1	-	1	1	1	1	1	1	106B9291G1	Blowout coil assembly
	*	4	4	4	4	4	4	4	-	-	4	4	4	4	-	4	4	4	4	4	4	287A103P2	Insulation washer between turns of blowout coil
	*	-	-	-	-	-	-	4	4	-	-	-	-	-	-	-	-	-	-	-	-	287A103P6	Insulation washer between turns of blowout coil
3	53	1	1	1	1	1	1	1	1	1	1	1	1	1	-	1	1	1	1	1	1	2458490	Stationary arcing contact tip
3	54	1	1	1	1	1	1	1	1	1	1	1	1	1	-	1	1	1	1	1	1	2459443	Magnet core for blowout coil
4	-	1	1	1	1	1	1	1	-	-	1	1	1	1	1	1	1	1	1	1	1	106B9286G2	Magnet frame assembly, complete
4	-	-	-	-	-	-	-	1	1	-	-	-	-	-	-	-	-	-	-	-	-	106B9286G4	Magnet frame assembly, complete
4	61	2	2	2	2	2	2	2	2	2	2	2	2	2	2	2	2	2	2	2	2	147A5749P1	Support post, upper, for end plate
4	62	2	2	2	2	2	2	2	2	2	2	2	2	2	2	2	2	2	2	2	2	147A5749P2	Support post, lower, for end plate
4	63	1	1	1	1	1	1	1	1	1	1	1	1	1	1	1	1	1	1	1	1	3867766	End plate for magnet frame
4	64	1	1	1	1	1	1	1	1	1	1	1	1	1	1	1	1	1	1	1	1	2459873	Stop bar for armature
4	65	1	1	1	1	1	1	1	1	1	1	1	1	1	1	1	1	1	1	1	1	2459872	Fulcrum bar for armature
4	66	1	1	1	1	1	1	1	-	-	1	1	1	1	1	1	1	1	1	1	1	2459874P1	Stop plate for stop bar
4	66	-	-	-	-	-	-	1	1	-	-	-	-	-	-	-	-	-	-	-	-	2459874P2	Stop plate for stop bar
4	67	2	2	2	2	2	2	2	2	2	2	2	2	2	2	2	2	2	2	2	2	2459871	Stop guide for armature
4	68	2	2	2	2	2	2	2	2	2	2	2	2	2	2	2	2	2	2	2	2	8072651G2	Magnet core assembly
4	69	†	†	†	†	†	†	†	†	†	†	†	†	†	†	†	†	†	†	†	†	See Table	Operating coil
4	70	2	2	2	2	2	2	2	2	2	2	2	2	2	2	2	2	2	2	2	2	8626009P10	Spring washer for operating coil
4	71	2	2	2	2	2	2	2	-	-	2	2	2	2	2	2	2	2	2	2	2	147A5848P6	Spacer for operating coil
4	71	-	-	-	-	-	-	2	2	-	-	-	-	-	-	-	-	-	-	-	-	147A5848P10	Spacer for operating coil

* Not shown
† Quantity variable

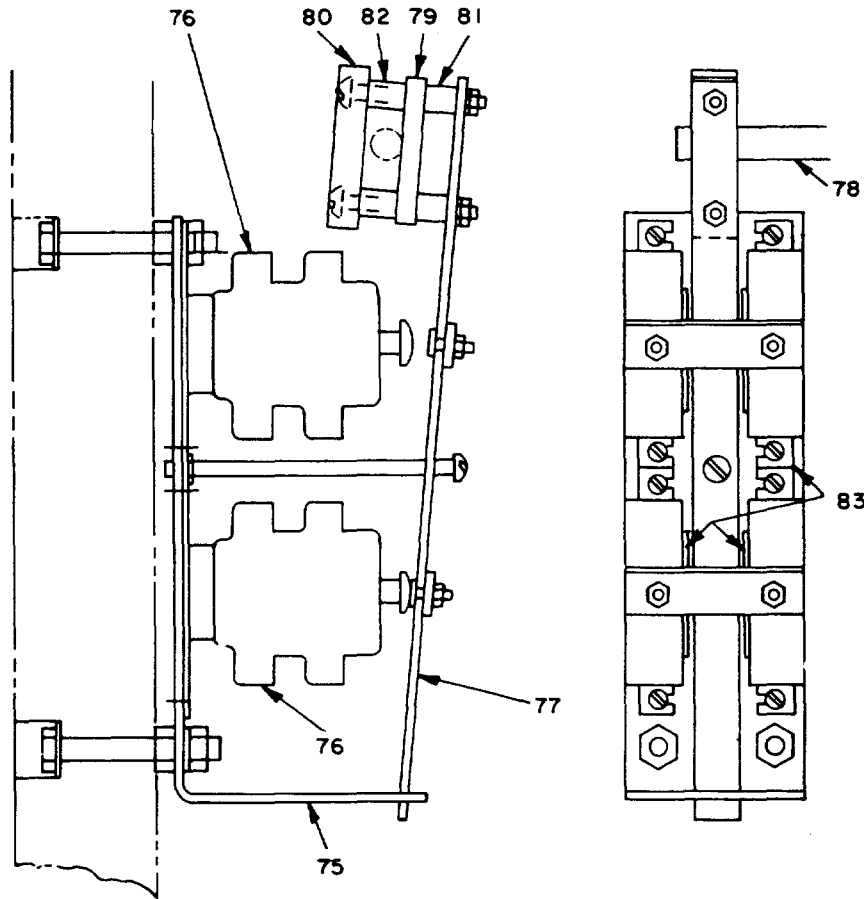


Fig. 5. Interlock mounting and operating parts

IC2800-Y108 CONTACTORS

INTERLOCK MOUNTING AND OPERATING PARTS
FOR IC2800-Y108 CONTACTORS

Fig. No.	Ref. No.	No. required for		Catalog Number	Description
		112B9742G1	112B9742G2		
5	-	1	-	112B9742G1	Electrical interlock assembly, complete
5	-	-	-	112B9742G2	Electrical interlock assembly, complete
5	75	1	1	112B9784P4	Supporting bracket for operating arm
5	76	†	†	See Table	Electrical interlock
5	77	1	1	112B9784G1	Operating arm for interlocks
5	78	1	1	147A5788P1	Operating pin
5	79	1	1	147A5811P1	Inner block for pin
5	80	1	1	147A5811P2	Outer block for pin
5	81	2	2	287A874P12	Spacer between operating arm and inner block for pin
5	82	2	2	2477688P1	Spacer between inner and outer blocks for pin
		†	†	575A555P1	Support bracket for interlock

† Quantity variable.

‡ As required.

IC2801-AY259 ENCLOSED CONTACTORS (FOR A-C CONTROL)

NOTE: These contactors consist of one IC2800-Y108 contactor mounted in a NEMA I ventilated enclosure.

The number following the form letter in the IC designation identifies the operating coils, rectifiers, and resistors. Each must be ordered separately from the table below.

EXAMPLE: IC2801-AY259-A202 contactor requires one Cat. No. 22D63G12 M1 contactor, two Cat. No. 6RS25PB3AHD1 REC rectifier, one Cat. No. IC9006A200J30EA/X103PG 2RS resistors, and one Cat. No. 22D135G2 MX coil.

CONTACTORS, RECTIFIERS, RESISTORS, AND COILS FOR IC2801-AY259 CONTACTORS

See Fig. 6 for reference numbers

Coil Group No.	Contactor-M1 (Ref. 104)		Rectifier-REC (Ref. 106)		Resistor-1RS (Ref. 107)		Resistor-2RS (Ref. 108)		Coil-MX (Ref. 105)	
	Catalog Number	No. Req.	Catalog Number	No. Req.	Catalog Number	No. Req.	Catalog Number	No. Req.	Catalog Number	No. Req.
202	22D63G12	1	6RS25PB3AHD1	2	---	---	IC9006A200J30EA/ X103AG	1	22D135G2	1
203	22D63G12	1	6RS25PB6AHD1	1	---	---	IC9006A200J180EA/ X103AG	1	22D135G3	1
204	22D63G3	1	6RS25PD12AHD1	2	IC9006A50E65DA/ X103AE	1	IC9006A200J550EA/ X103AG	1	22D135G4	1
205	22D63G8	1	6RS25PD12AHD1	2	IC9006A50E100DA/ X103AE	1	IC9006A200J1000 EA/X103AG	1	22D13565	1
206	22D63G8	1	6RS25PD12AHD1	2	IC9006A50E125DA/ X103AG	1	IC9006A200J1200 EA/X103AG	1	22D135G6	1
212	22D63G15A	1	6RS25PB3AHD1	2	151A398462	1	151A398462	3	22D135G2	1
213	22D63G12A	1	6RS25PB6AHD1	2	151A3984G2	1	151A3984G2	2	22D135G3	1
214	22D63G8A	1	6RS22PD12AHD1	2	151A3984G2	1	151A3984G2	3	22D135G4	1
215	22D63G29A	1	6RS22PD12AHD1	2	151A3984G2	1	151A3984G2	3	22D135G5	1
216	22D63G35A	1	6RS22PD12AHD1	2	---	---	151A3984G2	2	22D135G6	1

IC2800-Y108 CONTACTORS

GEF-4607

IC2801-AY259 ENCLOSURE LIST OF PARTS

Fig. No.	Ref. No.	Catalog Number	No. req. per Contactor	Description
6	100	162A2214AAG4	1	Case assembly
6	101	68J120200AE-XXXB	1	Back
6	102	68J220200CH-XXXP	1	Shell assembly
6	103	68J210251BA-PVXB	1	Door assembly
6	104	See table	1	Contactor Coil - ML
6	105	See table	1	Coil - MX
6	106	See table	†	Rectifier - REC
6	107	See table	†	Resistor - IRS
6	108	See table	†	Resistor - 2RS
6	109	106B7000G1	1	Terminal board
6	110	125A5978P1	1	Marking strip
6	111	125A4406P2	1	Mounting plate
6	112	9653189P22	1	Insulation
6	113	174A7301P1	1	Barrier
6	114	174A7300P1	1	Barrier bracket
6	115	174A7300P2	2	Barrier bracket
	*	68J110205AA	2	Conduit plate

† Quantity variable

* Not shown

IC2801-AY206 ENCLOSED CONTACTORS (FOR D-C CONTROL)

NOTE: These contactors consist of one IC2800-Y108 contactor mounted in a NEMA I enclosure. The number following the form letter in the IC designation identifies the operating coil and resistor. Each must be ordered separately from the table below.

EXAMPLE: IC2801-AY206-A2 contactor requires contactor coil No. 22D63G14 and resistor, Cat. No. A100G50EA/TH.

CONTACTORS AND RESISTORS FOR IC2801-AY206 CONTACTORS

See Fig. 6 for reference numbers

Coil Group No.	Contactor-ML (Ref. 104)		Resistor RES (Ref. 116)	
	Catalog Number	No. Req.	Catalog Number	No. Req.
2	22D63G14	1	A100G50EA/TH	1
3	22D63G14	1	A100G150EA/TH	1
4	22D63G15	1	A100G1000EA/TH	1
5	22D63G15	1	A100G1000EA/TH	1
6	22D63G12	1	A100G10EA/TH	1
101	22D63G36A	1	A100G25EA/TH	1
102	22D63G23A	1	A100G100EA/TH	2
104	22D63G15A	1	A100G500EA/TH	2
110	22D63G37A	1	---	---
130	22D63G35A	1	---	---

IC2801-AY206 ENCLOSURE LIST OF PARTS

Fig. No.	Ref. No.	Catalog Number	No. req. per Contactor	Description
6	100	162A2214G1	1	Case assembly
6	101	68J120200AE-XXXB	1	Back
6	102	68J220200CG-XXXP	1	Shell assembly
6	103	68J210251BA-PVXB	1	Door assembly
6	104	See table	1	Contactor coil - M1
6	116	See table	†	Resistor - RES
6	112	9653189P22	1	Insulation
6	113	174A7301P1	1	Barrier
6	114	174A7300P1	1	Barrier bracket
6	115	174A7300P2	2	Barrier bracket
	*	68J110205AA-CXXP	2	Conduit Plate

† Quantity variable

* Not shown

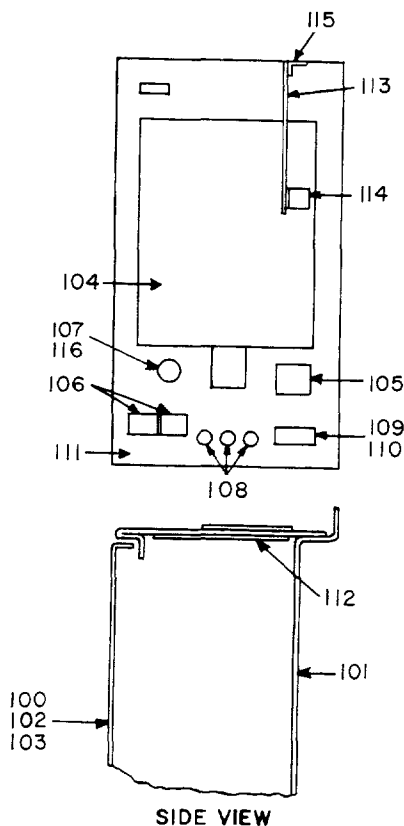


Fig. 6. IC2801-AY206 and -AY259 contactor parts

IC2800-Y108 CONTACTORS

COMPLETE LIST OF HARDWARE

PLAIN WASHERS

<u>Cat. No.</u>	<u>Description</u>
N402P8B6	For No. 8 screw
N402P11B6	For 1/4 in. screw
N402P12B6	For 5/16 in. screw, narrow
N402P42B6	For 5/16 in. screw, regular
N402P13B6	For 3/8 in. screw, narrow
N402P43B6	For 3/8 in. screw, regular
N402P15B6	For 1/2 in. screw
N402P17B6	For 5/8 in. screw

LOCK WASHERS

<u>Cat. No.</u>	<u>Description</u>
N405P38C6	For No. 8 screw
N405P9B6	For No. 10 screw, light
N405P39B6	For No. 10 screw, medium
N405P41B6	For 1/4 in. screw, zinc
N405P41C6	For 1/4 in. screw, cadmium
N405P42B6	For 5/16 in. screw, zinc
N405P42C6	For 5/16 in. screw, cadmium
N405P43B6	For 3/8 in. screw
N405P45B6	For 1/2 in. screw
N405P47B6	For 5/8 in. screw

NUTS

<u>Cat. No.</u>	<u>Description</u>
N210P15B6	8-32, hex
N210P16B6	10-32, hex
N245P16B6	10-32, hex
N218P21B6	1/4 in.-20, sq.
N245P21B6	1/4 in.-20, hex
N203P23B6	5/16 in.-18, hex
N213P23C6	5/16 in.-18, hex, cadmium
N218P23B6	5/16 in.-18, sq.
N245P23B6	5/16 in.-18, hex
N211P23	5/16 in.-18, hex, jam
N236P23	5/16 in.-18, wing
N245P25B6	3/8 in.-16, hex
N245P29B6	1/2 in.-13, hex
N245P33B6	5/8 in.-11, hex

COTTER PIN

<u>Cat. No.</u>	<u>Description</u>
N503P1212B6	1/8 in. by 3/4 in., steel

DOWEL PIN

<u>Cat. No.</u>	<u>Description</u>
N509P1920	3/16 in., 1 1/4 in. lg.

BOLTS AND SCREWS

<u>Cat. No.</u>	<u>Description</u>
N530P403C6	No. 4, 3/16 in., drive, cadmium
N112P15006B6	8-32, 3/8 in., thread cutting, pro. fin.
N57P15028B6	8-32, 1 3/4 in., machine
N57P15032B6	8-32, 2 in., pan hd. slot, pro. fin.
N51P16008B6	10-32, 1/2 in., flat hd., pro. fin.
N96P16012B	10-32, 3/4 in., pro. fin.
N57P16064B6	10-32, 4 in., pan hd. slot, pro. fin.
N22P21014B6	1/4 in.-20, 7/8 in., hex hd., pro. fin.
N22P21012B6	1/4 in.-20, 3/4 in., hex hd., pro. fin.
N26P21020B6	1/4 in.-20, 1 1/4 in., hex hd. slot, pro. fin.
N22P21032B6	1/4 in.-20, 2 in., hex hd., pro. fin.
N22P21036B6	1/4 in.-20, 2 1/4 in., hex hd., pro. fin.
N57P21044B6	1/4 in.-20, 2 3/4 in., pan. hd., pro. fin.
N22P23008B6	5/16 in.-18, 1/2 in., hex hd., pro. fin.
N26P23012B6	5/16 in.-18, 3/4 in., hex hd. slot, pro. fin.
N22P23014B6	5/16 in.-18, 7/8 in., hex hd., pro. fin.
N26P23014B6	5/16 in.-18, 7/8 in., hex hd. slot, pro. fin.
N22P23016B6	5/16 in.-18, 1 in., hex hd., pro. fin.
N26P23018B6	5/16 in.-18, 1 1/8 in., hexhd. slot, pro. fin.
N22P23036B6	5/16 in.-18, 2 1/4 in., hexhd., pro. fin.
N22P23040B6	5/16 in.-18, 2 1/2 in., hexhd., pro. fin.
N22P25012B6	3/8 in.-16, 3/4 in., hexhd., pro. fin.
N22P25016B6	3/8 in.-16, 1 in., hex hd., pro. fin.
N22P25032B6	3/8 in.-16, 2 in., hexhd., pro. fin.
N22P25036B6	3/8 in.-16, 2 1/4 in., hexhd., pro. fin.
N22P25040B6	3/8 in.-16, 2 1/2 in., hexhd., pro. fin.
N22P25048B6	3/8 in.-16, 3 in., hexhd., pro. fin.
N22P29020B6	1/2 in.-13, 1 1/4 in., hexhd., pro. fin.
N22P29052B6	1/2 in.-13, 3 1/4 in., hexhd., pro. fin.
N22P29054B6	1/2 in.-13, 3 3/8 in., hexhd., pro. fin.
N22P33024B6	5/8 in.-11, 1 1/2 in., hexhd., pro. fin.



**GENERAL ELECTRIC COMPANY
INDUSTRIAL CONTROL DEPARTMENT
SALEM, VA. 24153**

GENERAL  ELECTRIC