

Core & Coil (71A) MH 175W - 450W

CORE & COIL HID MH BAL 175W M57 120/220-240V
50HZ C&C

The basic ballast is the open core and coil which is most often used as a component within a lighting luminaire. The core and coil also forms the nucleus of Philips Advance's five other ballast configurations.

Product data

• General Characteristics

Lamp Type	175/150W MH
Number of Lamps	1 piece
Line Voltage	120/220-240 V
Input Current (Operating)	2/1.05 A
Line Frequency	50 Hz
Circuit Type	CWA
Ballast Type	Magnetic HID
Base Model	71A55N0
Core Size	3 X 4 (2 coil)
Suitable for Outdoor use?	Yes
Ignitor Catalog Number	NA
Ignitor Temp Rating	NA
Capacitor value [µF]	12 MFD
Capacitor Catalog Number	MD1204100
Capacitor Requirements	425V
Capacitor Temp Rating	90°C
Capacitor Dia/Oval Dim	1.75 in
Capacitor Height	2.9 in
Family Name	Core & Coil MH

• Operating Characteristics

Automatic restart	No
Input Voltage at Lamp Dropout	50/100 V
Nominal Open Circuit Voltage	310 V
Imp. Current (Open Circuit)	1.5/0.8 A

Input Current (Starting)	1.5/0.8 A
Input Current Short Circuit	2.5-3.7/1.3-1.9 A
Secondary ShortCircuit Current	2.3-2.8 A
Input Power Gear Constant wattage deviation	210 W 10%
Ballast factor	1 -
Power Factor	0.90

• Wiring Characteristics

Wire Striplength	0.5 mm
Wire Length by Color	12"
Wire Type	Stranded
Allowed Wiring Config(Remote)	Yes
Max Dist. Ball to Lamp(Remote)	Determined by AWG used
Recommended Fuse	5/3 A

• System Chars on driver level

Rated Lamp Watts	175/150W
------------------	----------

• Product Dimensions

Length A1	3.9 in
Length A2	3.5 in
Width B1	2.8 in
Coil Depth C1	4 in
Stack Height C2	2.75 in
Width B2	2.4 in

PHILIPS

Core & Coil (71A) MH 175W - 450W

• Approval & Application Chars

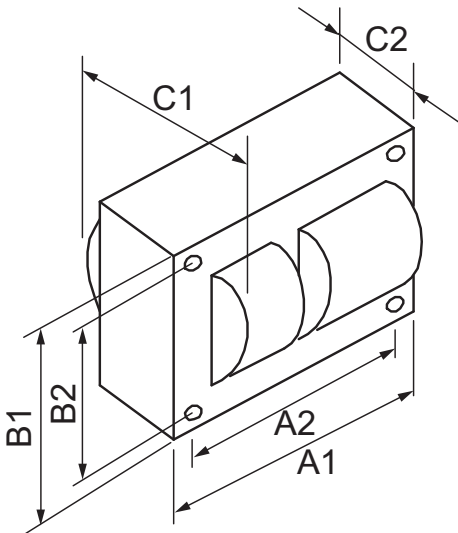
Approbation Marks	CSA, RoHS
CE marking	No
VDE certificate	No
UL Listed	No
CSA certificate	No
CCC certificate	No
Chia Quality Certificate	No
Temperature marking	C/C
CEC Listing	No
cUL certificate	No
EISA	No
ETL Certificate	No
FIDE Certificate	No
NOM certificate	No
RoHS Compliant	Yes
SASO Certificate	No
UL Recognized	Yes
ANSI Code	M57/M107
HiPot Test (1 minute)	2000 V

HiPot Test (2 seconds)	2500 V
Open Circ Voltage Test (Volts)	290-355 V
UL Insulation Class	H(180°C)
UL Temperature Code	1029C

• Product Data

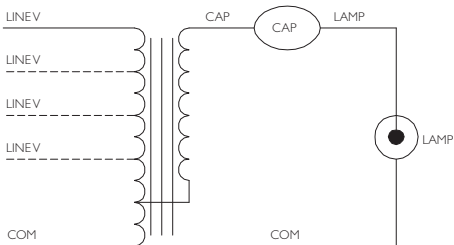
Product number	71A55N0500
Full product name	MH BAL 175W M57 120/220-240V 50HZ C&C
Short product name	MH BAL 175W M57 120/220-240V 50HZ C&C
Pieces per Sku	1
Skus/Case	4
Bar code on pack	781087018521
Bar code on case	50781087018526
Logistics code(s)	913700500209
eop_net_weight_pp	4.278 kg

Dimensional drawing



CORE & COIL HID MH BAL 175W M57 120/220-240V 50HZ C&C

Product	A1 (Norm)	A2 (Norm)	B1 (Norm)	B2 (Norm)	C1 (Norm)	C2 (Norm)
MH BAL 175W M57 120/220-240V 50HZ C&C	3.9	3.5	2.8	2.4	4	2.75





© 2015 Koninklijke Philips N.V. (Royal Philips)
All rights reserved.

Specifications are subject to change without notice. Trademarks are the property of
Koninklijke Philips N.V. (Royal Philips) or their respective owners.

www.philips.com/lighting

2015, August 29
data subject to change