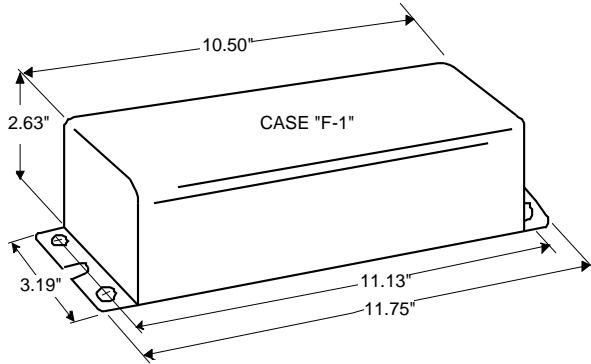




**High Pressure  
Sodium  
Lamp Ballast**

**Catalog Number 72C8084  
For 100W S54  
60 Hz HX-HPF  
Status: Active**

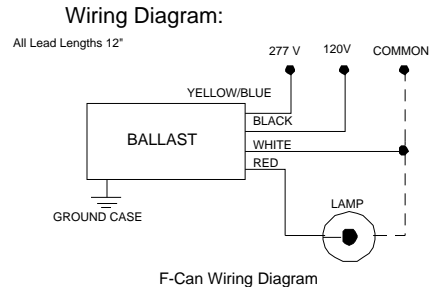
**DIMENSIONS AND DATA**



INPUT VOLTS	120	277			
CIRCUIT TYPE	HX-HPF				
POWER FACTOR (min)	90%				
REGULATION					
Line Volts	±5%				
Lamp Watts	WITHIN TRAPEZOID				
LINE CURRENT (Amps)					
Operating.....	1.10	0.50			
Open Circuit.....	1.85	0.80			
Starting.....	1.50	0.65			
UL TEMPERATURE RATINGS					
Insulation Class	A (105°C)				
Coil Temperature Code	1029	A	A		
MIN. AMBIENT STARTING TEMP.	-40°F or -40°C				
NOM. OPEN CIRCUIT VOLTAGE	120				
INPUT VOLTAGE AT LAMP DROPOUT.....	96	222			
INPUT WATTS	125				
RECOMMENDED FUSE (Amps).....	6	3			
CORE and COIL					
Dimension (A)					
Dimension (B)	11				
Weight (lbs.)	12"				
Lead Lengths					
CAPACITOR REQUIREMENT					
Microfarads					
Volts (min.)					
Fault Current Withstand (amps)					
60 Hz TEST PROCEDURES (Refer to Advance Test Procedure for HID Ballasts - Form 1270)					
High Potential Test (Volts)	1600				
1 minute	2000				
2 seconds	110-130				
Open Circuit Voltage Test (Volts)					
Short-Circuit Current Test (Amps)	2.70-3.35				
Secondary Current					
Input Current.....	1.40	0.60	-	-	-
	2.10	0.90			

Capacitor:

The capacitor is included as part of the potted assembly.



Ignitor: IN CAN

The ignitor is included as part of the potted assembly.

Ballast to Lamp Distance (BTL) = 15 feet  
Temp Rating: 90°C

**Typical Ordering Information**

(please call Advance for suffix availability)

Order Suffix	Description

Data is based upon tests performed by Advance Transformer in a controlled environment and representative of relative performance. Actual performance can vary depending on operating conditions. Specifications are subject to change without notice.

**ADVANCE**

O'HARE INTERNATIONAL CENTER · 10275 WEST HIGGINS ROAD · ROSEMONT, IL 60018  
Customer Support/Technical Service: Phone: 800-372-3331 · Fax: 630-307-3071  
Corporate Offices: Phone: 800-322-2086

09/03/99