



PAR38 LED with AirFlux Technology

19.5PAR38/END/4000/F36 DIM 6/1

Philips PAR38 Dimmable LED Lamps with AirFlux Technology provide optimal thermal efficiency in a sleek, lightweight design.

Product data

• General Characteristics

Cap-Base	E26
Bulb	PAR38 [PAR38 mm]
Rated Avg. Life (Hours)	45000 hr
Rated Lifetime (years)	41.1 an

• Light Technical Characteristics

Color Code	CW
Color Designation	Cool White
Beam Angle	36 D
Beam Description	36D [Medium beam]
Approx. MBCP	2520 cd
CRI	80
Color Temp. (Kelvin)	4000 K [CCT 4000K]
Rated Luminous Flux	1200 Lm

• Electrical Characteristics

Wattage	19.5 W
Wattage Technical	19.5 W
Voltage	120 V
Power Factor	0.72 -
Lamp Current mA	250 mA

Dimmable	Yes
Wattage Equivalent	100 W

• Measuring Conditions

Switching cycle	20000x
-----------------	--------

• Product Dimensions

Overall Length C	128.65 mm
Overall Length C [inch]	5.065 (max) in
Diameter D	121.3 mm

• Product Data

Product number	425504
Full product name	19.5PAR38/END/4000/F36 DIM 6/1
Short product name	19.5PAR38/END/4000/F36 DIM 6/1
Pieces per Sku	1
eop_pck_cfg	6
Skus/Case	6
Bar code on pack	46677425500
Bar code on case	50046677425505
Logistics code(s)	929000231704
eop_net_weight_pp	0.370 kg

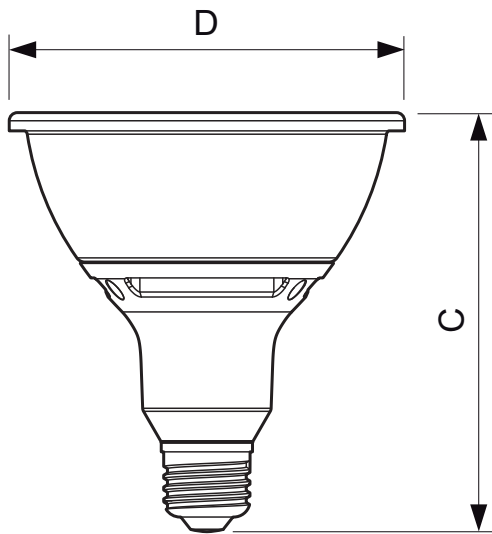
Dimensional drawing



PHILIPS
sense and simplicity

PAR38 LED with AirFlux Technology

Dimensional drawing



E26

19.5PAR38/END/4000/F36 DIM 6/1

Product	C (Norm)	C1 (Max)	D (Norm)	D1 (Norm)
LED 19.5W E26 4000K 120V PAR38 36D DIM	128.65	5.065	121.3	4.776



© 2013 Koninklijke Philips Electronics N.V.
All rights reserved.

Specifications are subject to change without notice. Trademarks are the property of Koninklijke Philips Electronics N.V. or their respective owners.

www.philips.com/lighting

2013, May 13
data subject to change