



MR16/GU10/PAR16

8.5MR16/LED/830/F25/DIM 12V 10/1FB

Philips MR16 Dimmable LED Lamps provide ambient level light to illuminate hard to maintain applications. Increased transformer compatibility allows for operation on a wider range of transformers. Available in dimmable and non-dimmable versions, these lamps are ideal for track and open recessed fixtures in retail, hospitality and residential spaces.

Product data

General Information	
Cap-Base	GU5.3 [GU5.3]
Nominal Lifetime (Nom)	25000 h
Switching Cycle	50000X
Technical Type	8.5-75W

Light Technical	
Color Code	830 [CCT of 3000K]
Beam Angle (Nom)	25 °
Luminous Flux (Nom)	620 lm
Luminous Flux (Rated) (Nom)	620 lm
Luminous Intensity (Nom)	3250 cd
Color Designation	White (WH)
Rated Beam Angle	25 °
Correlated Color Temperature (Nom)	3000 K
Luminous Efficacy (rated) (Nom)	72.00 lm/W
Color Consistency	<4
Color Rendering Index (Nom)	80
LLMF At End Of Nominal Lifetime (Nom)	70 %

Operating and Electrical	
Power (Rated) (Nom)	8.5 W
Lamp Current (Nom)	960 mA

Wattage Equivalent	75 W
Starting Time (Nom)	0.5 s
Warm Up Time to 60% Light (Nom)	0.5 s
Power Factor (Nom)	0.7
Voltage (Nom)	ac electronic 12 V

Temperature	
T-Case Maximum (Nom)	100 °C

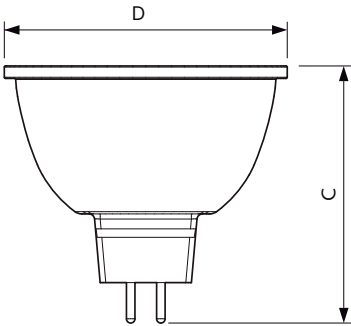
Controls and Dimming	
Dimmable	Yes

Approval and Application	
Suitable For Accent Lighting	Yes

Product Data	
Order product name	8.5MR16/LED/830/F25/DIM 12V 10/1FB
EAN/UPC - Product	046677533175
Order code	929001881404
Numerator - Quantity Per Pack	1
Numerator - Packs per outer box	10
Material Nr. (12NC)	929001881404
Net Weight (Piece)	0.052 kg

MR16/GU10/PAR16

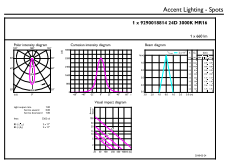
Dimensional drawing



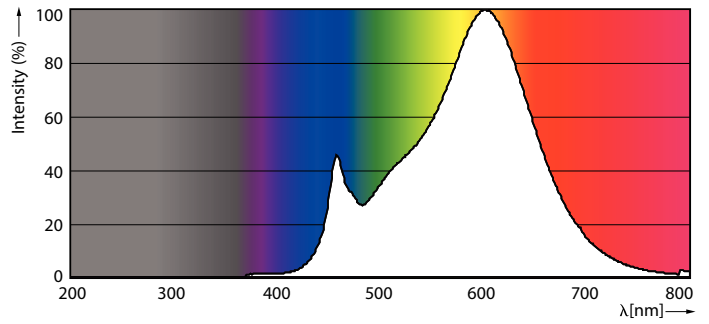
MR16 12V 8-50W 621lm 24D 3000K GU5.3 D

Product	D	C
8.5MR16/LED/830/F25/DIM 12V 10/1FB	50.5 mm	46.5 mm

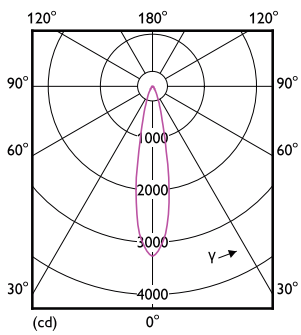
Photometric data



© 2018 Philips Lighting B.V. Page 11



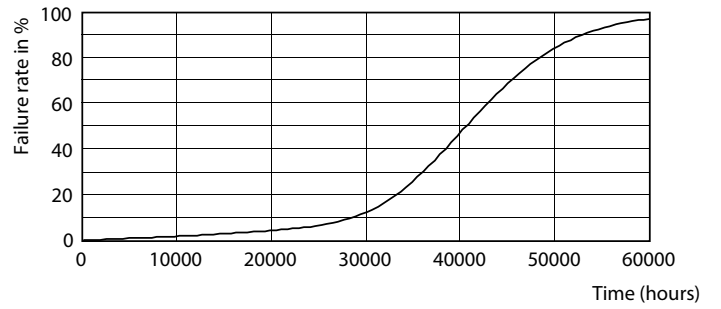
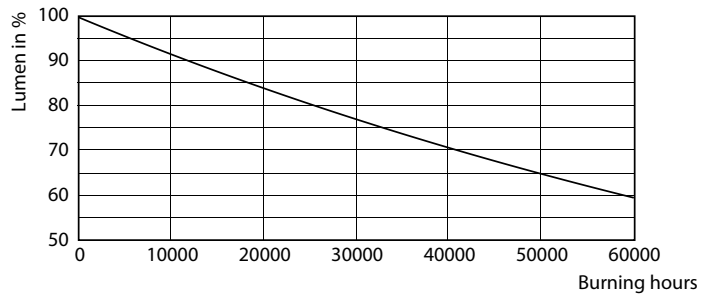
8-50W GU5-3 MR16



8-50W GU5-3 MR16 24D 827 2700K

MR16/GU10/PAR16

Lifetime



7-50W GU5-3 MR16

7-50W GU5-3 MR16

