



# LED Designer Deco

## 16UFO/PER/850/FR/P/E26/ND 4/1PF

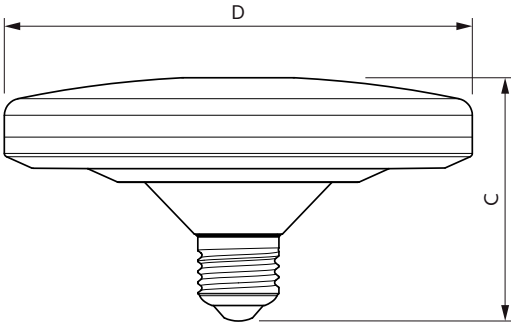
Philips LED Designer Deco lamps allow you to maintain a warm, classic light or a modern, chic effect while providing longer life and energy savings

### Product data

General Information	
Base	E26 [ Single Contact Medium Screw]
EU RoHS compliant	Yes
Nominal Lifetime (Nom)	15000 h
Switching Cycle	50000X
Technical Type	16-75W
Light Technical	
Color Code	850 [ CCT of 5000K]
Beam Angle (Nom)	120 °
Initial lumen (Nom)	1200 lm
Color Designation	Daylight
Correlated Color Temperature (Nom)	5000 K
Luminous Efficacy (rated) (Nom)	75.00 lm/W
Color Consistency	<6
Color Rendering Index (Nom)	80
LLMF At End Of Nominal Lifetime (Nom)	70 %
Operating and Electrical	
Input Frequency	50 to 60 Hz
Power (Rated) (Nom)	16 W
Lamp Current (Nom)	230 mA
Wattage Equivalent	75 W
Starting Time (Nom)	0.5 s
Warm Up Time to 60% Light (Nom)	0.5 s

Power Factor (Nom)	0.5
Voltage (Nom)	110-240 V
Temperature	
T-Case Maximum (Nom)	75 °C
Controls and Dimming	
Dimmable	No
Mechanical and Housing	
Bulb Finish	Frosted
Approval and Application	
Energy Efficiency Label (EEL)	Not applicable
Energy Consumption kWh/1000 h	- kWh
Product Data	
Order product name	16UFO/PER/850/FR/P/E26/ND 4/1PF
EAN/UPC - Product	046677561635
Order code	561639
Numerator - Quantity Per Pack	1
Numerator - Packs per outer box	4
Material Nr. (12NC)	929002441103
Net Weight (Piece)	0.138 kg

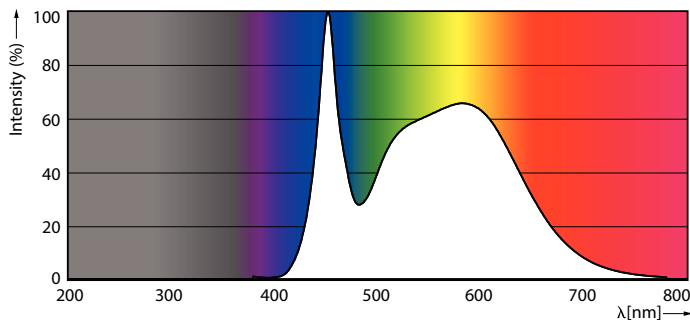
## Dimensional drawing



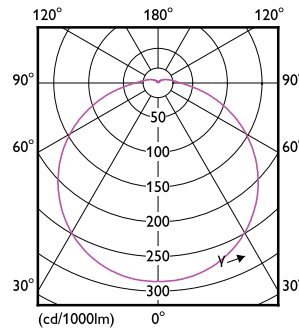
Bulb 220-240V 15-85W 1300lm 5000K E26

Product	D	C
16UFO/PER/850/FR/P/E26/ND 4/IPF	150 mm	77 mm

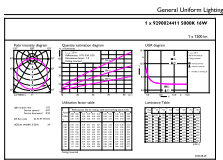
## Photometric data



LEDbulb UFO 16W Others E26 850 FR



LEDbulb UFO 16W Others E26 850 FR



LEDbulb UFO 16W Others E26 850 FR

# LED Designer Deco

## Lifetime



15K LED

15K LMP

