

# PLASTI-BOND REDH<sub>2</sub>OT KNOCKOUT HUBS

Print This Page

## KNOCKOUT HUBS

Return To Index



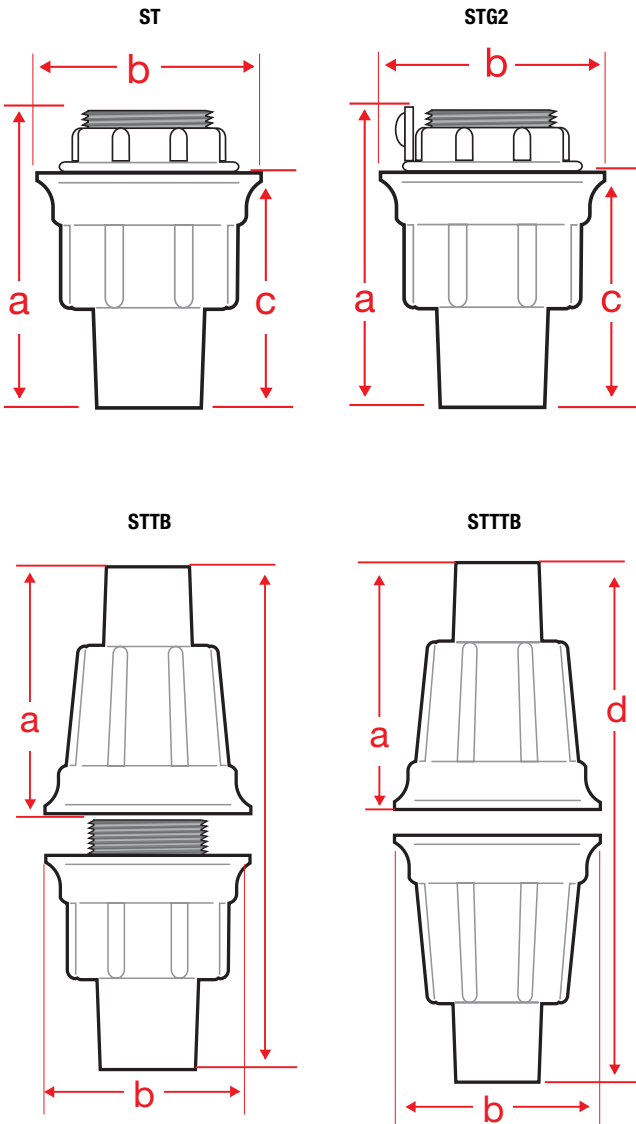
PRST2



PRSTG2

### Knockout Hubs Specifications

#### Knockout Hubs Configurations



#### APPLICATION

PLASTI-BOND REDH<sub>2</sub>OT ST style knockout hubs are used to terminate conduit runs through the wall of a sheet metal electrical enclosure. They are available with or without grounding lug. STTB style hubs are "Through-Bulkhead" fittings used to pass conduit runs through firewalls or bulkheads up to 1/8" thick. STTTB style hubs perform the same function for unlimited wall thicknesses, (furnished without nipples).

#### FEATURES

- 40 mil gray PVC exterior coating
- 2 mil red urethane interior coating
- ST and STTB available in 12 trade sizes from 1/2" through 6"
- STTTB in 6 trade sizes from 1/2" through 2".
- Sealing sleeves on conduit side of hub
- Molded PVC gasket seals flush with enclosure wall.
- O-ring gasket provides additional seal

#### COMPLIANCES

- UL
- CSA

**NOTE:**

- All Screw-tight Hubs are listed for NEMA type enclosures 2, 3, 3R, 4, 4x, 11 and 12
- Grounding and Bonding Hubs are listed for NEMA Enclosures 2, 3, 3R, 4 and 12

#### APPROVAL STAMP

(See online product submittal guide at [www.plastibond.com](http://www.plastibond.com))

**Knockout Hubs Technical Data**

**ST**

Pipe Size	Catalog #	Nominal Weight	A	B	C	MAX WALL THICK	Aluminum Catalog #
<input type="checkbox"/> 1/2"	PRST1	0.2	1.84	2.00	1.31	0.125	PRSTA1
<input type="checkbox"/> 3/4"	PRST2	0.3	2.22	2.25	1.66	0.125	PRSTA2
<input type="checkbox"/> 1"	PRST3	0.4	2.66	2.50	2.03	0.125	PRSTA3
<input type="checkbox"/> 1-1/4"	PRST4	0.4	2.94	3.25	2.28	0.125	PRSTA4
<input type="checkbox"/> 1-1/2"	PRST5	0.6	3.19	3.50	2.53	0.125	PRSTA5
<input type="checkbox"/> 2"	PRST6	1.2	3.75	4.25	3.09	0.125	PRSTA6
<input type="checkbox"/> 2-1/2"	PRST7	1.5	4.22	4.75	3.28	0.125	PRSTA7
<input type="checkbox"/> 3"	PRST8	2.1	4.31	5.25	3.38	0.125	PRSTA8
<input type="checkbox"/> 3-1/2"	PRST9	3.0	4.38	5.50	3.44	0.125	PRSTA9
<input type="checkbox"/> 4"	PRST10	3.5	4.44	6.25	3.50	0.125	PRSTA10
<input type="checkbox"/> 5"	PRST11	5.4	4.94	7.50	4.00	0.125	PRSTA11
<input type="checkbox"/> 6"	PRST12	6.9	5.00	8.50	4.00	0.125	PRSTA12

**STG**

Pipe Size	Catalog #	Nominal Weight	A	B	C	MAX WALL THICK	Aluminum Catalog #
<input type="checkbox"/> 1/2"	PRSTG1	0.2	1.84	2.00	1.31	0.125	PRSTAG1
<input type="checkbox"/> 3/4"	PRSTG2	0.3	2.22	2.25	1.66	0.125	PRSTAG2
<input type="checkbox"/> 1"	PRSTG3	0.4	2.66	2.50	2.03	0.125	PRSTAG3
<input type="checkbox"/> 1-1/4"	PRSTG4	0.4	2.94	3.25	2.28	0.125	PRSTAG4
<input type="checkbox"/> 1-1/2"	PRSTG5	0.6	3.19	3.50	2.53	0.125	PRSTAG5
<input type="checkbox"/> 2"	PRSTG6	1.2	3.75	4.25	3.09	0.125	PRSTAG6
<input type="checkbox"/> 2-1/2"	PRSTG7	1.5	4.22	4.75	3.28	0.125	PRSTAG7
<input type="checkbox"/> 3"	PRSTG8	2.1	4.31	5.25	3.38	0.125	PRSTAG8
<input type="checkbox"/> 3-1/2"	PRSTG9	3.0	4.38	5.50	3.44	0.125	PRSTAG9
<input type="checkbox"/> 4"	PRSTG10	3.5	4.44	6.25	3.50	0.125	PRSTAG10
<input type="checkbox"/> 5"	PRSTG11	5.4	4.94	7.50	4.00	0.125	PRSTAG11
<input type="checkbox"/> 6"	PRSTG12	6.9	5.00	8.50	4.00	0.125	PRSTAG12

**STTB**

Pipe Size	Catalog #	Nominal Weight	A	B	D	MAX WALL THICK	Aluminum Catalog #
<input type="checkbox"/> 1/2"	PRSTTB1	0.5	1.84	2.00	3.68	0.19	PRSTTB1
<input type="checkbox"/> 3/4"	PRSTTB2	0.5	2.22	2.25	4.44	0.19	PRSTTB2
<input type="checkbox"/> 1"	PRSTTB3	0.7	2.66	2.50	5.32	0.25	PRSTTB3
<input type="checkbox"/> 1-1/4"	PRSTTB4	1.0	2.94	3.25	5.88	0.25	PRSTTB4
<input type="checkbox"/> 1-1/2"	PRSTTB5	1.2	3.19	3.50	6.38	0.25	PRSTTB5
<input type="checkbox"/> 2"	PRSTTB6	1.7	3.75	4.25	7.50	0.25	PRSTTB6
<input type="checkbox"/> 2-1/2"	PRSTTB7	2.5	4.22	4.75	8.44	0.25	PRSTTB7
<input type="checkbox"/> 3"	PRSTTB8	3.0	4.31	5.25	8.62	0.25	PRSTTB8
<input type="checkbox"/> 3-1/2"	PRSTTB9	4.2	4.38	5.50	8.76	0.25	PRSTTB9
<input type="checkbox"/> 4"	PRSTTB10	5.9	4.44	6.25	8.88	0.25	PRSTTB10

**STTTB**

Pipe Size	Catalog #	Nominal Weight	A	B	D	MAX WALL THICK	Aluminum Catalog #
<input type="checkbox"/> 1/2"	PRSTTTB1	1.0	1.84	2.00	3.68	*	PRSTTTB1
<input type="checkbox"/> 3/4"	PRSTTTB2	1.0	2.22	2.25	4.44	*	PRSTTTB2
<input type="checkbox"/> 1"	PRSTTTB3	1.4	2.66	2.50	5.32	*	PRSTTTB3
<input type="checkbox"/> 1-1/4"	PRSTTTB4	2.0	2.94	3.25	5.88	*	PRSTTTB4
<input type="checkbox"/> 1-1/2"	PRSTTTB5	2.4	3.19	3.50	6.38	*	PRSTTTB5
<input type="checkbox"/> 2"	PRSTTTB6	3.4	3.75	4.25	7.50	*	PRSTTTB6

\* Unlimited wall thickness – determined by nipple used.



**REDH<sub>2</sub>OT PRODUCT FLASH**

**Proper Product Performance Depends On Proper Installation... And We Can Help!**

We support proper installation of Plasti-Bond REDH<sub>2</sub>OT in many ways. **First:** we make available to you, at no charge, a comprehensive installation manual plus an installation video (available in English and Spanish). **Second,** we recommend Corrosion College, an intense, two day educational experience that covers installation procedures in addition to topics related to corrosion theory and prevention.

**Third:** we provide specialized tools to ensure that installation can be performed quickly, easily, and without damage. **Fourth:** we provide an installer certification program that teaches proper installation techniques for maximum conduit performance.