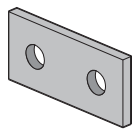


PICTORIAL TABLE OF CONTENTS



General Fittings (cont.)						
PS 732..... 63	PS 838 R or L..... 64	PS 3282..... 64	PS 825 R or L..... 64	PS 826..... 64	PS 2404 thru PS 2408..... 64	PS 2421..... 65
PS 855..... 65	PS 2651..... 65	PS 2657..... 65	PS 2656..... 65	PS 685..... 65	PS 686..... 66	PS 2653..... 66
PS 907, PS 998..... 66	PS 916..... 66	PS 684..... 66	PS 2622..... 66	PS 736..... 66	PS 3201..... 67	PS 2624..... 66
PS 871..... 67	PS 858..... 67	PS 865..... 67	PS 2654 & A..... 68	PS 135X..... 67	PS 85..... 67	PS 95..... 68
PS 86..... 68	PS 93..... 68	PS 94..... 68				

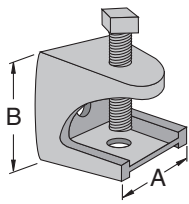
Pipe & Conduit Clamps					
PS 1000.....70	PS 1100 Series.....70	PS 1300.....70	PS 1200.....71	PS 3138.....72	PS 3126.....72
PS 3792.....75	PS 67.....70	PS 69.....71	PS 137.....71	PS 51.....72	PS 004T.....74
PS 004M.....75	PS 270.....72	PS 52E.....75	PS MU.....76	PS TP.....73	PS CT.....73
PS UB.....76	PS 815.....77	PS 1911.....77	PS 816.....77	PS 1902.....78	PS 1901.....77



Finish: Painted Green, or Electro-galvanized **Order By:** No. and Finish

Note: Use in pairs or with other support

PS 85 - Rod or Insulator Support

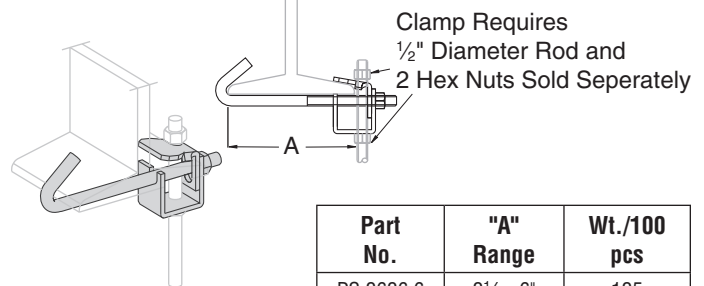


Rod Size	A	B	Load Ratings	Wt./100 pcs
1/4"	1 1/8"	1 1/4"	150	23
3/8"	2"	2"	350	95
1/2"	2 5/8"	2 1/4"	400	195

Flange Thickness: 7/8" Maximum

Material: Malleable Iron

PS 2626 - Beam Clamp

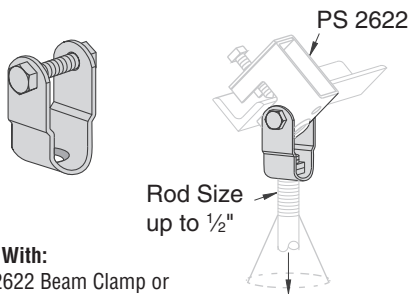


Part No.	"A" Range	Wt./100 pcs
PS 2626 6	2 1/2" - 6"	125
PS 2626 9	5 1/2" - 9"	140
PS 2626 12	8 1/2" - 12"	171

Finish: Plain, painted green or electro-galvanized

Load Rating: 500 lbs.

PS 2623 - Swivel Adaptor

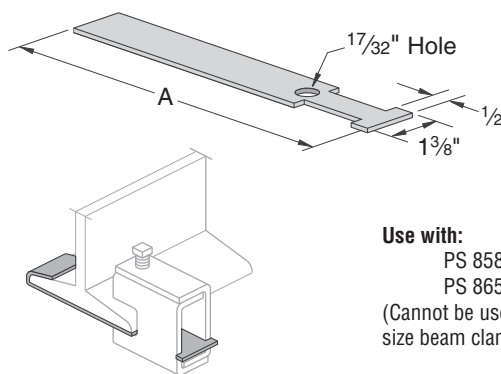


Use With:
PS 2622 Beam Clamp or
PS 2624 Wood Beam Hanger

**Rod Swivel 15
All Directions**

Load Rating: 300 lbs.

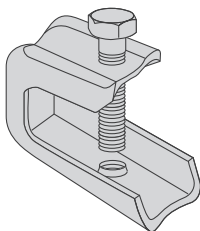
PS 871 - Safety Anchor Strap



"A" Length	Wt./100 pcs
9"	33
12"	45
15"	57

Use with:
PS 858,
PS 865
(Cannot be used with 5/8" rod size beam clamps and larger)

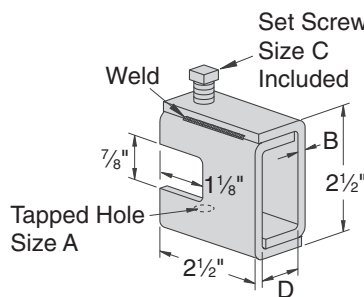
PS 135X - Light Duty Beam Clamp



Material: Steel
Use With: 1/4" rod
Load Rating: 75 lbs.

Weight/100 pcs: 14 lbs.

PS 858 - Heavy Duty Beam Clamp

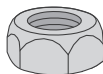


Part No.	"A" Rod Size	B	C	D	Load Ratings lbs.	Wt./100 pcs
PS 858 1/4	1/4" - 20	1 1/8"	3/8" x 1 1/2"	7/8"	650	67
PS 858 5/16	5/16" - 18	1 1/8"	3/8" x 1 1/2"	7/8"	650	67
PS 858 3/8	3/8" - 16	3/16"	1/2" x 1 1/2"	1 5/16"	1,100	100
PS 858 1/2	1/2" - 13	1/4"	1/2" x 1 1/2"	1 5/16"	1,600	130
PS 858 5/8	5/8" - 11	5/16"	5/8" x 1 1/2"	1 5/16"	2,400	160
PS 858 3/4	3/4" - 10	5/16"	5/8" x 1 1/2"	1 5/16"	2,400	160

Weld is not continuous it is either 1 1/4" - 1 3/4" long or 2 spot welds. All welds are on the top and bottom.

For beams under 7/8" thick flange.

PS 3201 - Swivel Nut

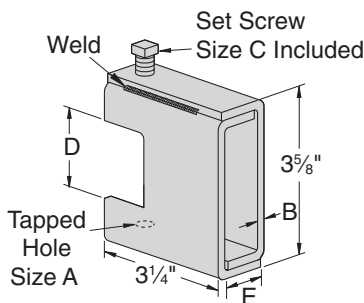


Use With:
PS 2622 Beam Clamp

Rod Size	Wt./100 pcs
1/4"	4
3/8"	4
1/2"	3

Weight/100 pcs: 31 lbs.

PS 865 - Wide Throat Heavy Duty Beam Clamp



Part No.	Rod Size	B	C	D	E	Load Ratings lbs.	Wt./100 pcs
PS 865 3/8	3/8"	3/16"	1/2"	1 1/16"	29/32"	1,100	151
PS 865 1/2	1/2"	1/4"	1/2"	1 1/16"	15/16"	1,600	195
PS 865 5/8	5/8"	5/16"	5/8"	1 1/16"	1 5/16"	2,400	225

For beams between 3/4" (19) to 1 5/8" (41) thick flanges.

Weld is not continuous it is either 1 1/4" - 1 3/4" long or 2 spot welds. All welds are on the top and bottom.

Metal Channel
Fasteners
Fittings
Pipe & Conduit Clamps
Pipe Hangers
Electrical
Concrete Inserts
Solar Components
Unipier®
Jr. Channel
Power-Angle
Fiberglass
Tech. Data