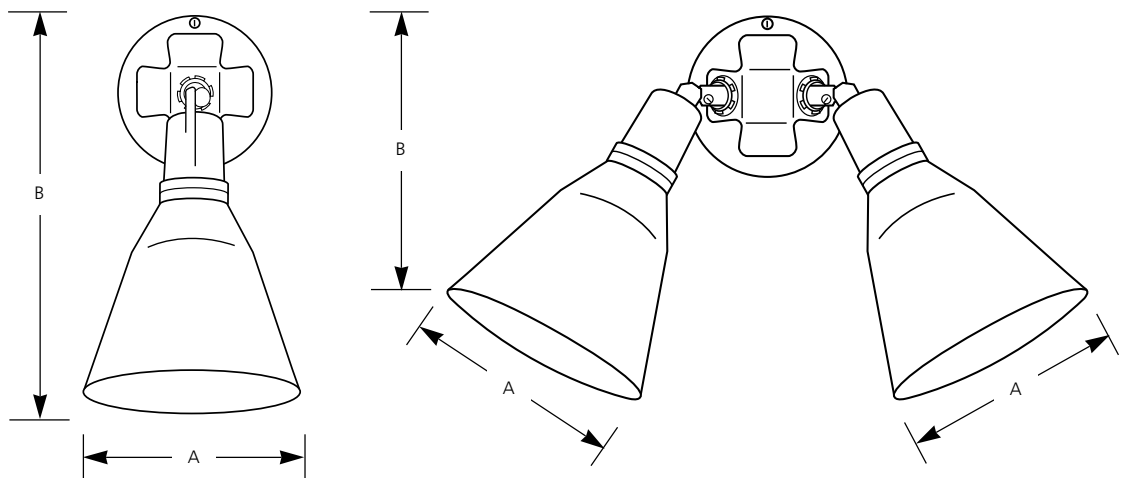


Type	-20	-30	-31
P5202	<input type="checkbox"/>	<input type="checkbox"/>	<input type="checkbox"/>
P5203	<input type="checkbox"/>	<input type="checkbox"/>	<input type="checkbox"/>

Catalog No.	Finish			Lamping	Dimensions (Inches)	
	Bronze	White	Black		A	B
P5202	-20	-30	-31	1-150w PAR38	6-1/4	9
P5203	-20	-30	-31	2-150w PAR38	6-1/4	9

Extends from wall: 11-1/8



**Specifications:**

General

- Bronze, White and Black finishes
- All aluminum construction
- Positive lock swivel
  - Single stainless steel screw lock

Mounting

- Wall or ceiling mount
- Covers outlet box
- Stainless screws furnished to mount to ears of box
- Gasket supplied for back plate

Electrical

- Medium based sockets
  - Phenolic with brass screw shell

Labeling

- UL-CUL wet location listed

Photometrics

- Refer to Lamp Application Data for:
  - PAR20 & PAR16
  - PAR30
  - PAR38