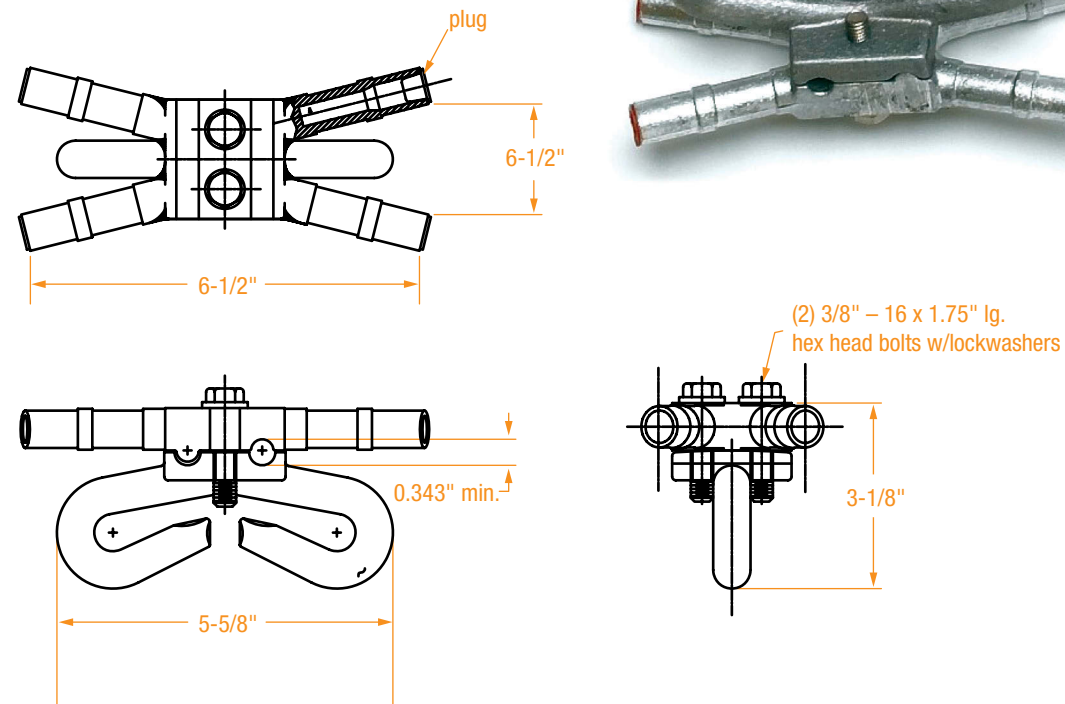


NEUTRAL-SPAN CLAMPS

R07-1285 Series

- Used for mid-span taps.
- Made of high-strength aluminum.
- Filled with oxide-inhibiting grease.



PART NUMBER	HEIGHT
R07-1285	3-1/8"

FOR OTHER SIZES, CONTACT YOUR SALES REPRESENTATIVE OR THE FACTORY.

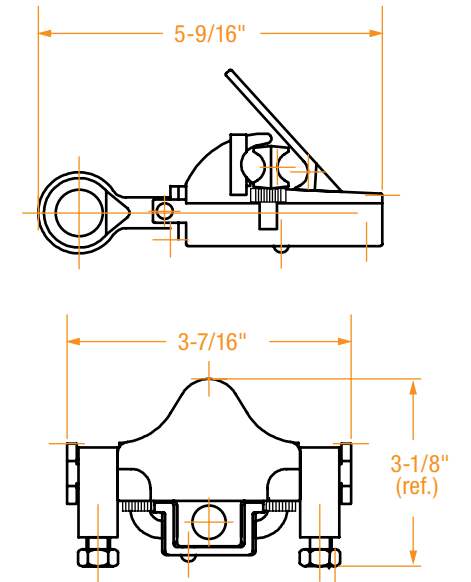
ALUMINUM HOT-LINE CLAMPS

AHLC-397 Series

- A full duty connector designed to replace the function of hot-line taps in heavily loaded applications.
- Acorn clamps allow secure taps to exit from either side.
- Clamp is made of high-strength aluminum.
- Center piece is made from soft, high-conductive pure aluminum.
- Filled with oxide-inhibiting grease.
- Easily installed using a hot stick.



AHLC-397



PART NUMBER	CONDUCTOR RANGE RUN SIZE		CONDUCTOR RANGE TAP SIZE	
	MIN	MAX	MIN	MAX
AHLC-397	3/0 ACSR / 4/0 Str. Al	336,400 ACSR / 397,500 Al	3/0 ACSR / 4/0 Str. Al	336,400 ACSR / 397,500 Al