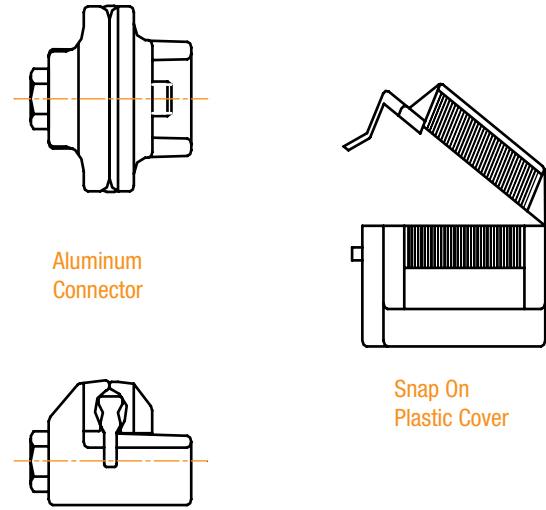
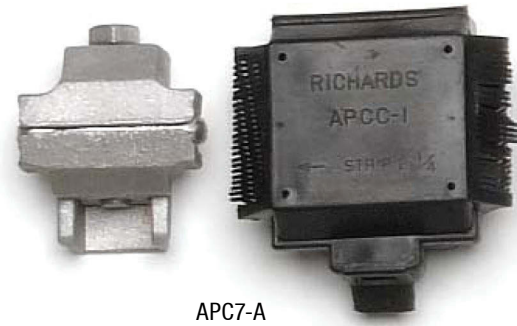


ALUMINUM PARALLEL CLAMPS WITH PLASTIC COVERS

APC Series

- Taps overhead secondary for connection to customer.
- Easily installed on energized or de-energized cables.
- Designed to withstand vibrations.
- Low torque provides high pressure on conductor.



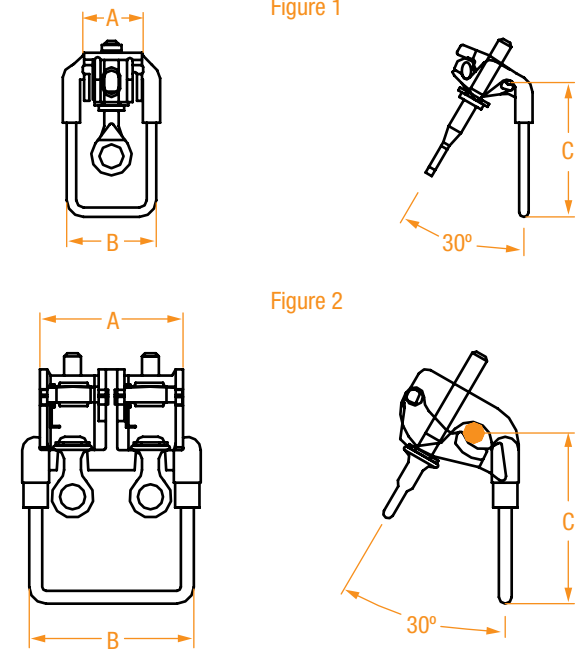
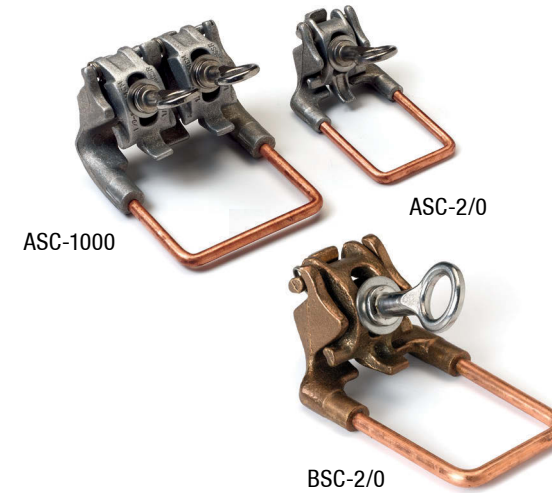
PART NUMBER*	RUN SIZE		TAP SIZE		SNAP-ON COVER
	ACSR	AL	ACSR	AL OR CU	
APC5	#6-#4 ACSR	#2 Sol. #8 Sol. Al	#6-#4 ACSR	#2 Sol.-#8 Sol.	APCC-1
APC7	#6-#2 ACSR	#1 Str. #6 Sol. Al	#6-#2 ACSR	#1 Str.-#12 Sol.	APCC-1
APC10	#6-1/0 ACSR	#6 Sol. 2/0 Str. Al	#6-1/0 ACSR	#6 Sol.-2/0 Str.	APCC-1
APC11	#2-4/0 ACSR	#1 Str. 4/0 Str. Al	#2-4/0 ACSR	#1 Str.-4/0 Str.	APCC-2
APC12	#2-4/0 ACSR	#1 Str. 4/0 Str. Al	#6-2/0 ACSR	#6 Sol.-2/0 Str.	APCC-2
APC13	4/0-666,000 ACSR	266,800-800,000 Al	#2-4/0 ACSR	#1 Str.-4/0	APCC-2
APC14	3/0-336,400 ACSR	4/0-397,500 Al	#6-4/0 ACSR	#6 Sol.-266,800	APCC-2
APC15	3/0-336,400 ACSR	4/0-397,500 Al	3/0-336,400 ACSR	4/0-397,500	APCC-2

* For a rubber grommet on the spacer, add "-G" to the part number.
For connector and cover shipped together, add "-A" to the part number.

ALUMINUM & BRONZE STIRRUP CONNECTORS

ASC & BSC Series

- ASC connector has a pure aluminum body and pure copper bail.
- BSC connector has a bronze body and pure copper bail.
- Bail is knurled prior to insertion into aluminum connector to prevent pull-out.



PART NUMBER*	CABLE RANGE	# OF EYEBOLTS	DIMENSIONS IN INCHES			BAIL DIA.
			A	B	C	
ASC-2/0**	AAC: #6 Sol. - 2/0 ACSR: #8 - 2/0	1	1-13/16	2-5/8	4-1/8	.289"
BSC-2/0***	#6 Sol. - 2/0 Cu #8 - 2/0 Cu	1	1-7/8	2-5/8	4-1/4	.289"
ASC-500**	AAC: 1/0 - 500 MCM ACSR: 1/0 - 397.5 MCM	2	4	4-3/8	4-13/16	.332"
ASC-1000**	AAC: 350 - 1000 MCM ACSR: 336.4 - 954 MCM	2	4-1/4	4-13/16	5-1/8	.385"

* For tin plated bails, add "-TN" to the part number.
** ASC-2/0, ASC-500 and ASC-1000 come with inhibitor applied to the clamp and individually bagged.
*** BSC-2/0 is not greased or bagged. Please add "-I" for inhibitor, "-B" for individually bagged or "-IB" for both.