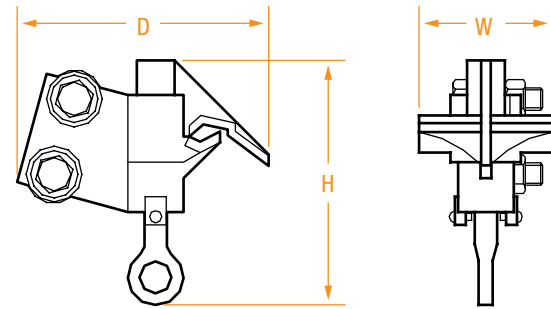
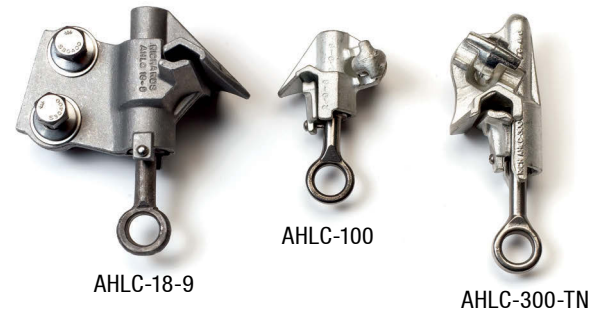
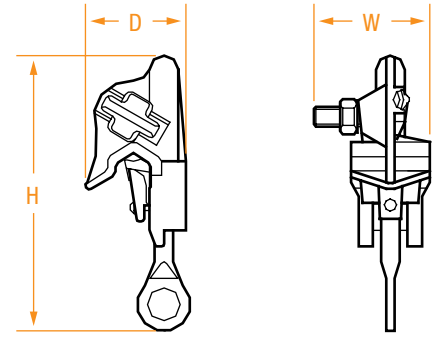


## ALUMINUM HOT-LINE CLAMPS

- Designed to be used for distribution service connections with hot sticks.
- Eyebolts are made from forged stainless steel.
- Eyelets and keepers are made from aluminum bronze.
- Bodies are made from high-strength aluminum.
- Wide jaws provide a greater surface contact, reducing twisting of the conductor during installation.
- Jaws are precoated with an oxide-inhibiting compound.
- Spring-loaded with a sturdy steel spring to compensate for temperature changes.

### AHLC Series



PART NUMBER*	RUN RANGE		TAP RANGE		DIMENSIONS IN INCHES		
	MIN.	MAX.	MIN.	MAX.	H	D	W
	AHLC-100-TN	#8	2/0	#8	2/0	5	2-3/4
AHLC-300-TN**	#6	400	#6	3/0	6	2-1/4	1-3/4
AHLC-18-9	1/0	500	two-hole NEMA Spade		6-1/2	4-1/2	3
AHLC-700	#4 Str	800	#4 Sol	300	7	3	3

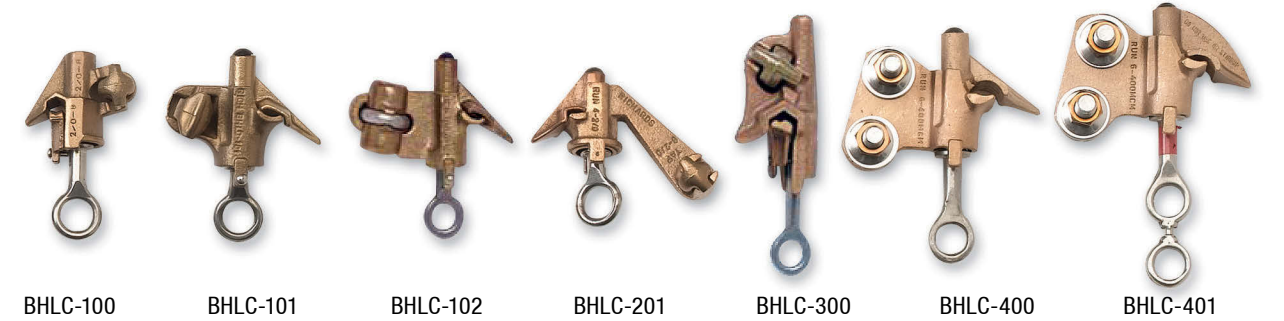
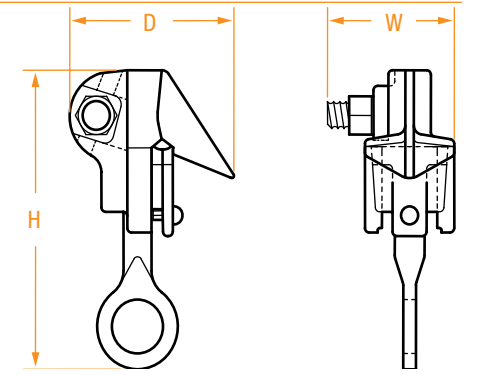
\* For tin plated connectors, add "-TN" to the part number.  
 For inhibitor in the clamp's jaws, add "-I" to the part number.  
 For parts individually bagged, add "-B" to the part number.  
 \*\* For 3/4" eyelet, add "-3/4" to the part number.

FOR OTHER SIZES, CONTACT YOUR SALES REPRESENTATIVE OR THE FACTORY.

## BRONZE HOT-LINE CLAMPS

- Designed to be used for distribution service connections with hot sticks.
- Bodies are made from silicon bronze.
- Eyebolts are made from forged stainless steel.
- Eyelets and keepers are made from aluminum bronze.
- Wide jaws provide a greater area of surface contact reducing twisting of the conductor during installation.
- Spring-loaded with a sturdy steel spring to compensate for temperature change.

### BHLC Series



PART NUMBER*	RUN RANGE		TAP RANGE		DIMENSIONS IN INCHES		
	MIN.	MAX.	MIN.	MAX.	H	D	W
BHLC-100	#8	2/0	#8	2/0	5	2-3/4	2
BHLC-101	#6	400	#6	4/0	5-3/4	3-5/8	2-3/8
BHLC-102	#6	400	2/0 - 500 (U-Bolt Tap)		5-3/4	4-1/2	2-3/4
BHLC-201	#4	2/0	#6	2/0	3-7/8	4-1/2	1-7/8
BHLC-300	#6	400	#6	4/0	6-1/2	2-1/2	2-1/2
BHLC-400	#6	400	two-hole NEMA Spade		6-3/8	4-1/2	2-3/8
BHLC-401	#6	400	two-hole NEMA Spade		5-1/4	4-5/8	1-7/8

\* For tin plated connectors, add "-TN" to the part number.  
 For inhibitor in the clamp's jaws, add "-I" to the part number.  
 For parts individually bagged, add "-B" to the part number.

FOR OTHER SIZES, CONTACT YOUR SALES REPRESENTATIVE OR THE FACTORY.