

COMMERCIAL & RESIDENTIAL UNIT HEATER

ARUH SERIES

OXFORD™
SERIES | SÉRIE

A VERSATILE WORKHORSE

The ARUH unit heater is small on price and big on heat. These heavy-duty units are well suited to situations where large amounts of heat must be provided in wide open spaces such as garages, workshops, commercial warehouses and construction sites. This unit has a powerful output up to 5000 W with a voltage of 240/208. The ARUH has adjustable louvers that allow you to direct heat right from the source. With or without a built-in thermostat, it provides instant heat. Quiet, lightweight and easy-to-install with a universal wall or ceiling mounting bracket, this unit heater is everything you expect for less. Guaranteed productivity!



INSTANT HEAT

ADJUSTABLE LOUVERS ALLOW YOU TO DIRECT HEAT

THERMAL PROTECTION

WALL OR CEILING INSTALLATION
SUPPORT BRACKET INCLUDED

ENCLOSED & PERMANENTLY LUBRICATED MOTOR

2 KW TO 5 KW MODELS AVAILABLE

IDEAL FOR:

CONSTRUCTION SITES, GARAGES, WORKSHOPS,
SMALL COMMERCIAL SPACES

COLOR

charcoal

FINISH

epoxy-polyester powdercoat

MANUFACTURING

- 20-gauge steel cabinet
- totally enclosed and factory lubricated motor
- 350 CFM quiet helicoidal fan
- adjustable louvers
- thermal protection with automatic reset

ELEMENT

nichrome element produces instant heat

CONTROL

- built-in thermostat (included with T series)
- wall thermostat (not included)

INSTALLATION

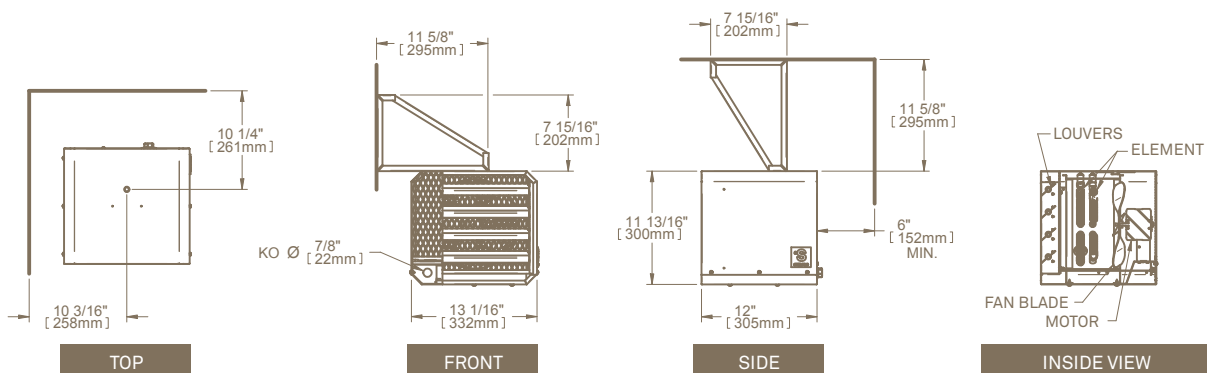
wall or ceiling mounted with universal mounting bracket (included with unit)



TECHNICAL SPECIFICATIONS

| WITHOUT CONTROL | BUILT-IN THERMOSTAT | 24 V CONTROL | POWER | | PHASE | FLOW | VOLTAGE | THROW DISTANCE | HEAT RISE | WEIGHT |
|-----------------|---------------------|--------------|-----------|--------|-------|------|---------|----------------|-----------|--------|
| CODE | CODE | CODE | WATTS | BTU/H | NB | CFM | VOLTS | FT. | °F | LB |
| ARUH2CHAR | ARUH2TCHAR | ARUH2C24CHAR | 2000/1500 | 6825 | 1 | 350 | 240/208 | 10 | 48 | 20 |
| ARUH3CHAR | ARUH3TCHAR | ARUH3C24CHAR | 3000/2250 | 10 238 | 1 | 350 | 240/208 | 10 | 60 | 20 |
| ARUH4CHAR | ARUH4TCHAR | ARUH4C24CHAR | 4000/3000 | 13 651 | 1 | 350 | 240/208 | 10 | 82 | 20 |
| ARUH5CHAR | ARUH5TCHAR | ARUH5C24CHAR | 5000/3750 | 17 064 | 1 | 350 | 240/208 | 10 | 114 | 20 |

TECHNICAL DRAWINGS



*STELPRO reserves the right to modify descriptions or manufacturing specifications without prior notice. Returns are not accepted for orders of products with optional colors. For all the latest models and prices, please refer to our website at www.stelpro.com.