

Heavy-Duty Battery Connectors

Tin-Plated Straight Battery Connectors

Material: High-Conductivity Copper

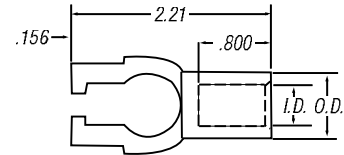
Finish: Electro-Tin Plate

Installing Tools: TBM5-SV, TBM5V, TBM8250, TBM8250S

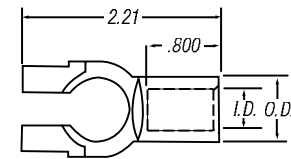
CAT. NO.	BULK CAT. NO.	SAE CABLE SIZE AND COLOR	DESCRIPTION	I.D.	O.D.	PKG. QTY.	BULK PKG. QTY.	COLOR KEY
BAC4SUBT	BAC4SUBT-C	4 Gauge	Straight Universal	.261	.430	5	100	GRAY
BAC2SUBT	BAC2SUBT-C	2 Gauge	Straight Universal	.340	.550	5	100	GREEN
BAC1SUBT	BAC1SUBT-C	1 Gauge	Straight Universal	.340	.550	5	100	PINK
BAC10SUBT	BAC10SUBT-C	1/0 Gauge	Straight Universal	.455	.625	5	100	BLACK
BAC20SUBT	BAC20SUBT-C	2/0 Gauge	Straight Universal	.502	.676	5	100	ORANGE
BAC30SUBT	BAC30SUBT-C	3/0 Gauge	Straight Universal	.530	.730	5	100	PURPLE
BAC40SUBT	BAC40SUBT-C	4/0 Gauge	Straight Universal	.600	.844	5	100	YELLOW
BAC4SPBT	BAC4SPBT-C	4 Gauge	Straight Positive	.261	.430	5	100	GRAY
BAC4SNBT	BAC4SNBT-C	4 Gauge	Straight Negative	.261	.430	5	100	GRAY
BAC2SPBT	BAC2SPBT-C	2 Gauge	Straight Positive	.340	.550	5	100	GREEN
BAC2SNBT	BAC2SNBT-C	2 Gauge	Straight Negative	.340	.550	5	100	GREEN
BAC1SPBT	BAC1SPBT-C	1 Gauge	Straight Positive	.340	.550	5	100	PINK
BAC1SNBT	BAC1SNBT-C	1 Gauge	Straight Negative	.340	.550	5	100	PINK
BAC10SPBT	BAC10SPBT-C	1/0 Gauge	Straight Positive	.455	.625	5	100	BLACK
BAC10SNBT	BAC10SNBT-C	1/0 Gauge	Straight Negative	.455	.625	5	100	BLACK
BAC20SPBT	BAC20SPBT-C	2/0 Gauge	Straight Positive	.502	.676	5	100	ORANGE
BAC20SNBT	BAC20SNBT-C	2/0 Gauge	Straight Negative	.502	.676	5	100	ORANGE
BAC30SPBT	BAC30SPBT-C	3/0 Gauge	Straight Positive	.530	.730	5	100	PURPLE
BAC30SNBT	BAC30SNBT-C	3/0 Gauge	Straight Negative	.530	.730	5	100	PURPLE
BAC40SPBT	BAC40SPBT-C	4/0 Gauge	Straight Positive	.600	.844	5	100	YELLOW
BAC40SNBT	BAC40SNBT-C	4/0 Gauge	Straight Negative	.600	.844	5	100	YELLOW



BAC10SUBT



BAC10SPBT



Tin-Plated Flag Battery Connectors

Material: High-Conductivity Copper

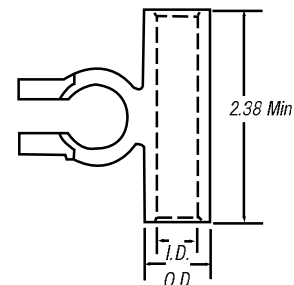
Finish: Electro-Tin Plate

Installing Tools: TBM5-SV, TBM5V, TBM8250, TBM8250S

CAT. NO.	BULK CAT. NO.	SAE CABLE SIZE AND COLOR	DESCRIPTION	I.D.	O.D.	PKG. QTY.	BULK PKG. QTY.	COLOR KEY
BAC10FU	BAC10FNBL	1/0 Gauge	Flag Universal	.455	.625	5	100	BLACK
BAC20FU	BAC20FNBL	2/0 Gauge	Flag Universal	.502	.676	5	100	ORANGE
BAC30FU	BAC30FNBL	3/0 Gauge	Flag Universal	.530	.730	5	100	PURPLE
BAC40FU	BAC40FNBL	4/0 Gauge	Flag Universal	.600	.844	5	100	YELLOW
BAC10FPBT	BAC10FPBT-C	1/0 Gauge	Flag Positive	.455	.625	5	100	BLACK
BAC10FNBT	BAC10FNBT-C	1/0 Gauge	Flag Negative	.455	.625	5	100	BLACK
BAC20FPBT	BAC20FPBT-C	2/0 Gauge	Flag Positive	.502	.676	5	100	ORANGE
BAC20FNBT	BAC20FNBT-C	2/0 Gauge	Flag Negative	.502	.676	5	100	ORANGE
BAC30FPBT	BAC30FPBT-C	3/0 Gauge	Flag Positive	.530	.730	5	100	PURPLE
BAC30FNBT	BAC30FNBT-C	3/0 Gauge	Flag Negative	.530	.730	5	100	PURPLE
BAC40FPBT	BAC40FPBT-C	4/0 Gauge	Flag Positive	.600	.844	5	100	YELLOW
BAC40FNBT	BAC40FNBT-C	4/0 Gauge	Flag Negative	.600	.844	5	100	YELLOW



BAC10FNBT



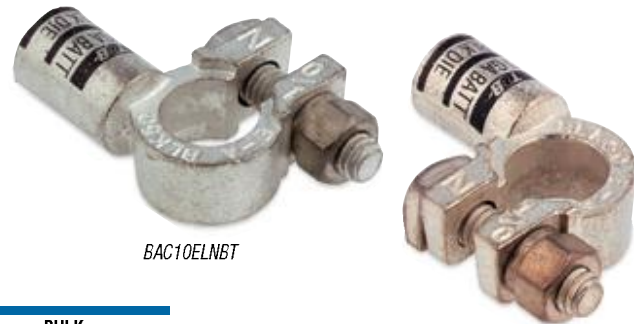
Heavy-Duty Battery Connectors

Tin-Plated Elbow Battery Connectors

Material: High-Conductivity Copper

Finish: Electro-Tin Plate

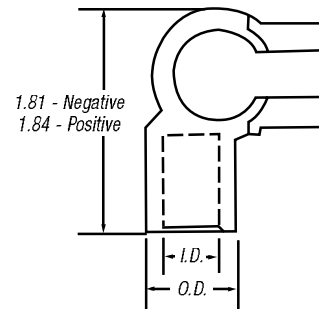
Installing Tools: TBM5-SV, TBM5V, TBM8250, TBM8250S



BAC10ELNBT

BAC10ERNBT

CAT. NO.	BULK CAT. NO.	SAE CABLE SIZE AND COLOR	DESCRIPTION	I.D.	O.D.	PKG. QTY.	BULK PKG. QTY.	COLOR KEY
BAC10ERNBT	BAC10ERNBT-C	1/0 Gauge	Right Elbow - Negative	.455	.625	5	100	BLACK
BAC10ERPBT	BAC10ERPBT-C	1/0 Gauge	Right Elbow - Positive	.455	.625	5	100	BLACK
BAC20ERNBT	BAC20ERNBT-C	2/0 Gauge	Right Elbow - Negative	.502	.676	5	100	ORANGE
BAC20ERPBT	BAC20ERPBT-C	2/0 Gauge	Right Elbow - Positive	.502	.676	5	100	ORANGE
BAC30ERNBT	BAC30ERNBT-C	3/0 Gauge	Right Elbow - Negative	.530	.730	5	100	PURPLE
BAC30ERPBT	BAC30ERPBT-C	3/0 Gauge	Right Elbow - Positive	.530	.730	5	100	PURPLE
BAC40ERNBT	BAC40ERNBT-C	4/0 Gauge	Right Elbow - Negative	.600	.844	5	100	YELLOW
BAC40ERPBT	BAC40ERPBT-C	4/0 Gauge	Right Elbow - Positive	.600	.844	5	100	YELLOW
BAC10ELNBT	BAC10ELNBT-C	1/0 Gauge	Left Elbow - Negative	.455	.625	5	100	BLACK
BAC10ELPBT	BAC10ELPBT-C	1/0 Gauge	Left Elbow - Positive	.455	.625	5	100	BLACK
BAC20ELNBT	BAC20ELNBT-C	2/0 Gauge	Left Elbow - Negative	.502	.676	5	100	ORANGE
BAC20ELPBT	BAC20ELPBT-C	2/0 Gauge	Left Elbow - Positive	.502	.676	5	100	ORANGE
BAC30ELNBT	BAC30ELNBT-C	3/0 Gauge	Left Elbow - Negative	.530	.730	5	100	PURPLE
BAC30ELPBT	BAC30ELPBT-C	3/0 Gauge	Left Elbow - Positive	.530	.730	5	100	PURPLE
BAC40ELNBT	BAC40ELNBT-C	4/0 Gauge	Left Elbow - Negative	.600	.844	5	100	YELLOW
BAC40ELPBT	BAC40ELPBT-C	4/0 Gauge	Left Elbow - Positive	.600	.844	5	100	YELLOW



Tin-Plated Stackable Battery Connector

Material: High-Conductivity Copper

Finish: Electro-Tin Plate

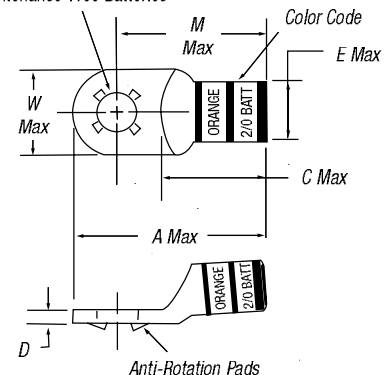
Installing Tools: TBM5-SV or TBM5V



BAC1038

CAT. NO.	BULK CAT. NO.	SAE CABLE SIZE AND COLOR	A	M	W	C	E	STUD SIZE	PKG. QTY.	BULK PKG. QTY.	COLOR KEY
BAC438	273-31853-1	4 Gauge	1.455 ±.040	1.143 ±.020	.615 ±.020	.750 ±.020	.365 ±.010	3/8"	10	100	GRAY
BAC238	273-31853-2	2 Gauge	1.775 ±.040	1.400 ±.020	.675 ±.020	.850 ±.020	.467 ±.010	3/8"	10	100	GREEN
BAC138	273-31853-3	1 Gauge	1.875 ±.040	1.500 ±.020	.750 ±.020	.950 ±.020	.521 ±.010	3/8"	10	100	PINK
BAC1038	273-31853-4	1/0 Gauge	1.925 ±.040	1.550 ±.020	.825 ±.020	1.000 ±.020	.571 ±.010	3/8"	10	100	BLACK
BAC2038	273-31853-5	2/0 Gauge	2.110 ±.040	1.645 ±.020	.930 ±.020	1.100 ±.020	.632 ±.010	3/8"	10	100	ORANGE
BAC3038	273-31853-6	3/0 Gauge	2.025 ±.040	1.650 ±.020	1.025 ±.020	1.100 ±.020	.701 ±.010	3/8"	10	100	PURPLE
BAC4038	273-31853-7	4/0 Gauge	2.275 ±.040	1.900 ±.020	1.125 ±.020	1.350 ±.020	.766 ±.010	3/8"	10	100	YELLOW

For 3/8" Threaded Stud
Maintenance-Free Batteries



Connectors & Grounding — Blackburn® Compression Connectors Featuring the Color-Keyed® System

Heavy-Duty Battery Connectors

Blackburn® Starter Lugs

Material: High-Conductivity Copper

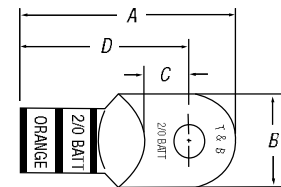
Finish: Electro-Tin Plate

Installing Tools: TBM5-SV or TBM5V



BAL414

CAT. NO.	BULK CAT. NO.	SAE CABLE SIZE	STUD SIZE (IN.)	A ±.04	B ±.02	C ±.02	D ±.02	PKG. QTY.	BULK PKG. QTY.	COLOR KEY
BAL414	273-31852-1	4 Gauge	¼	1.40	.52	.40	1.15	10	100	GRAY
BAL4516	273-31852-2	4 Gauge	⅝	1.45	.61	.36	1.14	10	100	
BAL438	273-31852-3	4 Gauge	¾	1.45	.61	.36	1.14	10	100	GREEN
BAL2516	—	2 Gauge	⅝	1.59	.69	.40	1.25	10	100	
BAL238	273-31852-4	2 Gauge	¾	1.78	.67	.55	1.40	10	100	PINK
BAL212	273-31852-5	2 Gauge	½	1.77	.76	.54	1.40	10	100	
BAL1516	—	1 Gauge	⅝	1.83	.76	.49	1.50	10	100	BLACK
BAL138	273-31852-6	1 Gauge	¾	1.85	.75	.55	1.50	10	100	
BAL112	273-31852-7	1 Gauge	½	2.20	.75	.75	1.70	10	100	ORANGE
BAL10516	—	1/0 Gauge	⅝	1.92	.83	.50	1.50	10	100	
BAL1038	273-31852-8	1/0 Gauge	¾	1.93	.83	.55	1.55	10	100	PURPLE
BAL1012	273-31852-9	1/0 Gauge	½	1.97	.88	.53	1.53	10	100	
BAL20516	—	2/0 Gauge	⅝	2.06	.93	.50	1.60	10	100	YELLOW
BAL2038	273-31852-10	2/0 Gauge	¾	2.11	.93	.55	1.65	10	100	
BAL2012	273-31852-11	2/0 Gauge	½	2.11	.93	.55	1.65	10	100	
BAL30516	—	3/0 Gauge	⅝	2.16	1.03	.55	1.65	10	100	
BAL3038	273-31852-12	3/0 Gauge	¾	2.03	1.03	.55	1.65	10	100	
BAL3012	273-31852-13	3/0 Gauge	½	2.35	1.03	.75	1.85	10	100	
BAL40516	—	4/0 Gauge	⅝	2.40	1.13	.59	1.84	10	100	
BAL4038	273-31852-14	4/0 Gauge	¾	2.28	1.12	.55	1.90	10	100	
BAL4012	273-31852-15	4/0 Gauge	½	2.60	1.12	.75	2.10	10	100	



Splices (Two-Way Connectors)

Material: High-Conductivity Copper

Finish: Electro-Tin Plate

Installing Tools: TBM5-SV or TBM5V



BAS4

CAT. NO.	BULK CAT. NO.	SAE CABLE SIZE	PKG. QTY.	BULK PKG. QTY.	COLOR KEY
BAS4	273-31852-16	4 Gauge	10	100	GRAY
BAS2	273-31852-17	2 Gauge	10	100	GREEN
BAS1	273-31852-18	1 Gauge	10	100	PINK
BAS10	273-31852-19	1/0 Gauge	10	100	BLACK
BAS20	273-31852-20	2/0 Gauge	10	100	ORANGE
BAS30	273-31852-21	3/0 Gauge	10	100	PURPLE
BAS40	273-31852-22	4/0 Gauge	10	100	YELLOW

“Y” Splices

Material: High-Conductivity Copper

Finish: Electro-Tin Plate

Installing Tools: TBM5-SV or TBM5V

Insulating Cover: AC5X3



BASY30

CAT. NO.	STRIP CABLE SIZE	SAE CABLE SIZE AND COLOR	LENGTH	COLOR KEY
BASY20	2/0-(2) #2	2/0 Gauge	¾"	ORANGE
BASY30	3/0-(2) #1	3/0 Gauge	¾"	PURPLE
BASY40	4/0-(2) 1/0	4/0 Gauge	¾"	YELLOW

Heavy-Duty Battery Connectors

Abrasion resistant and engineered for optimum performance at both high and low temperatures.

Blackburn® Battery/Starter Cables

- Fine flexible copper rope stranding PVC jacket conforms to SAE J1127 specifications
- Layer of paper separates insulation from copper, providing easy stripping with no stranding damage
- Temperature rated for 80° C
- Flexibility ideal for tight spaces and cold environments
- Blackburn® Color-Keyed® system markings for fast and accurate identification
- Marked in 1-ft. increments for easy measurement
- Available in red or black jacket color

CAT. NO.	SAE CABLE SIZE	CABLE LENGTH	CABLE COLOR
BC4-100	4 Gauge	100 ft.	BLACK
BC2-100	2 Gauge	100 ft.	
BC1-100	1 Gauge	100 ft.	
BC10-100	1/0 Gauge	100 ft.	
BC20-100	2/0 Gauge	100 ft.	
BC30-100	3/0 Gauge	100 ft.	
BC40-100	4/0 Gauge	100 ft.	
BC4-1000	4 Gauge	1000 ft.	
BC2-500	2 Gauge	500 ft.	
BC1-500	1 Gauge	500 ft.	
BC10-500	1/0 Gauge	500 ft.	RED
BC20-500	2/0 Gauge	500 ft.	
BC30-500	3/0 Gauge	500 ft.	
BC40-500	4/0 Gauge	500 ft.	
BC4-1000R	4 Gauge	1000 ft.	
BC2-500R	2 Gauge	500 ft.	
BC1-500R	1 Gauge	500 ft.	
BC10-500R	1/0 Gauge	500 ft.	
BC20-500R	2/0 Gauge	500 ft.	
BC30-500R	3/0 Gauge	500 ft.	
BC40-500R	4/0 Gauge	500 ft.	

CAT. NO.	SAE CABLE SIZE	CABLE LENGTH	CABLE COLOR	
BC4-25	4 Gauge	25 ft.	BLACK	
BC2-25	2 Gauge	25 ft.		
BC1-25	1 Gauge	25 ft.		
BC10-25	1/0 Gauge	25 ft.		
BC20-25	2/0 Gauge	25 ft.		
BC30-25	3/0 Gauge	25 ft.		
BC40-25	4/0 Gauge	25 ft.		
BC4-25R	4 Gauge	25 ft.		RED
BC2-25R	2 Gauge	25 ft.		
BC1-25R	1 Gauge	25 ft.		
BC10-25R	1/0 Gauge	25 ft.		
BC20-25R	2/0 Gauge	25 ft.		
BC30-25R	3/0 Gauge	25 ft.		
BC40-25R	4/0 Gauge	25 ft.		



Material: High-Conductivity Copper

Finish: Electro-Tin Plate

Installing Tools: TBM5-SV or TBM5V



Connectors & Grounding — Blackburn® Compression Connectors Featuring the Color-Keyed® System

Specially designed for demanding industrial and OEM requirements.

Heavy-Duty Battery Cable

- 105° C temperature rated and UL® recognized
- Heavier PVC jacket conforms to SAE J1127 specifications
- Blackburn® Color-Keyed® system markings for fast and accurate identification
- Marked in 1-ft. increments for easy measurement
- Layer of paper separates insulation from copper for easy stripping with no strand damage
- 600V rated available in bulk only
- Application specific — call to order

