

# KDR Optimized Line Reactors

**480 Volt Output**

Part Number	NEC Motor HP	NEC Motor Current	Standard Terms	Dimensions (in.)	Open		NEMA 1 Enclosed	
				Height x Width x Depth	Weight	List Price	Part Number *	List Price
KDRA1P	2	3.4	TB	4.00 x 4.18 x 3.75	4	\$ 140.00	KDRA1PC1	\$ 265.00
KDRA2P	3	4.8	TB	4.00 x 4.18 x 3.75	4	\$ 168.00	KDRA2PC1	\$ 293.00
KDRA3P	5	7.6	TB	4.00 x 4.18 x 3.75	4	\$ 173.00	KDRA3PC1	\$ 297.00
KDRA4P	7.5	11	TB	4.00 x 4.18 x 3.75	5	\$ 180.00	KDRA4PC1	\$ 303.00
KDRB1P	10	14	TB	5.00 x 6.00 x 4.00	7	\$ 248.00	KDRB1PC1	\$ 372.00
KDRD1P	15	21	TB	6.00 x 7.20 x 4.25	10	\$ 254.00	KDRD1PC2	\$ 402.00
KDRD2P	20	27	TB	6.00 x 7.20 x 4.25	10	\$ 265.00	KDRD2PC2	\$ 414.00
KDRD3P	25	34	TB	6.00 x 7.20 x 4.25	12	\$ 274.00	KDRD3PC2	\$ 423.00
KDRD4P	30	40	TB	6.00 x 7.20 x 4.25	12	\$ 346.00	KDRD4PC2	\$ 495.00
KDRC1P	40	52	TB	5.75 x 7.20 x 5.00	15	\$ 381.00	KDRC1PC2	\$ 530.00
KDRF1P	50	65	TB	7.00 x 9.00 x 6.00	25	\$ 447.00	KDRF1PC3	\$ 657.00
KDRF2P	60	77	TB	7.00 x 9.00 x 6.00	25	\$ 461.00	KDRF2PC3	\$ 671.00
KDRF3P	75	96	CB	7.00 x 9.00 x 6.00	30	\$ 614.00	KDRF3PC4	\$ 967.00
KDRH1P	100	124	CB	9.00 x 11.00 x 7.00	40	\$ 710.00	KDRH1PC4	\$ 1,063.00
KDRI1P	125	156	CB	9.00 x 11.00 x 7.00	50	\$ 877.00	KDRI1PC4	\$ 1,230.00
KDRI2P	150	180	CB	9.00 x 11.00 x 7.00	45	\$ 1,030.00	KDRI2PC4	\$ 1,383.00
KDRG1P	200	240	CB	9.00 x 11.00 x 8.00	60	\$ 1,306.00	KDRG1PC4	\$ 1,660.00
KDRJ1P	250	302	CB	9.00 x 11.00 x 9.00	70	\$ 1,438.00	KDRJ1PC5	\$ 1,911.00
KDRJ2P	300	361	CB	9.00 x 11.00 x 9.00	70	\$ 1,471.00	KDRJ2PC5	\$ 1,944.00
KDRL1P	350	414	CB	11.38 x 14.50 x 9.31	85	\$ 1,703.00	KDRL1PC5	\$ 2,176.00
KDRL2P	400	477	CB	11.38 x 14.50 x 9.31	95	\$ 1,880.00	KDRL2PC5	\$ 2,351.00
KDRL3P	450	515	CB	11.38 x 14.50 x 9.31	100	\$ 2,180.00	KDRL3PC5	\$ 2,652.00
KDRL4P	500	590	CB	11.38 x 14.50 x 9.31	100	\$ 3,314.00	KDRL4PC5	\$ 3,785.00

**575 Volt Output**

Part Number	NEC Motor HP	NEC Motor Current	Standard Terms	Dimensions (in.)	Open		NEMA 1 Enclosed	
				Height x Width x Depth	Weight	List Price	Part Number *	List Price
KDRA31P	2	2.7	TB	4.00 x 4.18 x 3.75	4	\$ 166.00	KDRA31PC1	\$ 290.00
KDRA35P	3	3.9	TB	4.00 x 4.18 x 3.75	4	\$ 203.00	KDRA35PC1	\$ 327.00
KDRA33P	5	6.1	TB	4.00 x 4.18 x 3.75	4	\$ 211.00	KDRA33PC1	\$ 335.00
KDRA34P	7.5	9	TB	4.00 x 4.18 x 3.75	5	\$ 237.00	KDRA34PC1	\$ 362.00
KDRA36P	10	11	TB	4.00 x 4.18 x 3.75	5	\$ 297.00	KDRA36PC1	\$ 421.00
KDRD31P	15	17	TB	5.75 x 7.20 x 4.25	10	\$ 302.00	KDRD31PC2	\$ 451.00
KDRD32P	20	22	TB	5.75 x 7.20 x 4.25	10	\$ 340.00	KDRD32PC2	\$ 488.00
KDRD35P	25	27	TB	5.75 x 7.20 x 4.25	10	\$ 407.00	KDRD35PC2	\$ 556.00
KDRD33P	30	32	TB	5.75 x 7.20 x 4.25	12	\$ 463.00	KDRD33PC2	\$ 612.00
KDRD34P	40	41	TB	5.75 x 7.20 x 4.25	12	\$ 484.00	KDRD34PC2	\$ 633.00
KDRC31P	50	52	TB	5.75 x 7.20 x 5.00	15	\$ 666.00	KDRC31PC2	\$ 815.00
KDRF31P	60	62	TB	7.00 x 9.00 x 6.00	25	\$ 690.00	KDRF31PC3	\$ 901.00
KDRF32P	75	77	TB	7.00 x 9.00 x 6.00	25	\$ 783.00	KDRF32PC3	\$ 994.00
KDRF33P	100	99	CB	7.00 x 9.00 x 6.00	30	\$ 938.00	KDRF33PC4	\$ 1,293.00
KDRH31P	125	125	CB	9.00 x 11.00 x 7.00	40	\$ 1,056.00	KDRH31PC4	\$ 1,410.00
KDRI31P	150	144	CB	9.00 x 11.00 x 7.00	50	\$ 1,288.00	KDRI31PC4	\$ 1,643.00
KDRI32P	200	192	CB	9.00 x 11.00 x 7.00	45	\$ 1,714.00	KDRI32PC4	\$ 2,068.00
KDRG31P	250	242	CB	9.00 x 11.00 x 8.00	60	\$ 1,867.00	KDRG31PC4	\$ 2,221.00
KDRJ31P	300	289	CB	9.00 x 11.00 x 9.00	70	\$ 1,880.00	KDRJ31PC5	\$ 2,351.00
KDRJ32P	350	336	CB	9.00 x 11.00 x 9.00	70	\$ 2,144.00	KDRJ32PC5	\$ 2,615.00
KDRL31P	400	382	CB	11.38 x 14.50 x 9.31	85	\$ 2,839.00	KDRL31PC5	\$ 3,312.00
KDRL35P	450	412	CB	11.38 x 14.50 x 9.31	85	\$ 2,960.00	KDRL35PC5	\$ 3,432.00
KDRL32P	500	472	CB	11.38 x 14.50 x 9.31	95	\$ 3,741.00	KDRL32PC5	\$ 4,213.00

# KDR Optimized Line Reactors

**480 Volt Output**

Part Number	NEC Motor HP	Open		UL Type 1 Enclosed		UL Type 3R Enclosed	
		Weight	List Price	Part Number *	List Price	Part Number *	List Price
KDRULA1P	2	4	\$146.00	KDRULA1PE01	\$368.00	KDRULA1PE3R	\$482.00
KDRULA2P	3	4	\$176.00	KDRULA2PE01	\$397.00	KDRULA2PE3R	\$512.00
KDRULA3P	5	4	\$182.00	KDRULA3PE01	\$404.00	KDRULA3PE3R	\$518.00
KDRULA4P	7.5	5	\$187.00	KDRULA4PE01	\$409.00	KDRULA4PE3R	\$522.00
KDRULB1P	10	7	\$260.00	KDRULB1PE01	\$481.00	KDRULB1PE3R	\$596.00
KDRULD1P	15	10	\$264.00	KDRULD1PE01	\$485.00	KDRULD1PE3R	\$600.00
KDRULD2P	20	10	\$277.00	KDRULD2PE01	\$498.00	KDRULD2PE3R	\$613.00
KDRULD3P	25	12	\$286.00	KDRULD3PE01	\$509.00	KDRULD3PE3R	\$622.00
KDRULD4P	30	12	\$360.00	KDRULD4PE01	\$582.00	KDRULD4PE3R	\$696.00
KDRULC1P	40	15	\$396.00	KDRULC1PE01	\$618.00	KDRULC1PE3R	\$732.00
KDRULF1P	50	25	\$465.00	KDRULF1PE01	\$897.00	KDRULF1PE3R	\$986.00
KDRULF2P	60	25	\$480.00	KDRULF2PE01	\$911.00	KDRULF2PE3R	\$1,000.00
KDRULF3P	75	33	\$710.00	KDRULF3PE01	\$1,140.00	KDRULF3PE3R	\$1,230.00
KDRULH1P	100	43	\$810.00	KDRULH1PE01	\$1,240.00	KDRULH1PE3R	\$1,330.00
KDRULI1P	125	56	\$989.00	KDRULI1PE01	\$1,420.00	KDRULI1PE3R	\$1,510.00
KDRULI2P	150	56	\$1,149.00	KDRULI2PE01	\$1,940.00	KDRULI2PE3R	\$2,068.00
KDRULG1P	200	69	\$1,527.00	KDRULG1PE01	\$2,319.00	KDRULG1PE3R	\$2,446.00
KDRULJ1P	250	79	\$1,646.00	KDRULJ1PE01	\$2,437.00	KDRULJ1PE3R	\$2,565.00
KDRULJ2P	300	79	\$1,663.00	KDRULJ2PE01	\$2,454.00	KDRULJ2PE3R	\$2,582.00
KDRULL1P	350	95	\$2,026.00	KDRULL1PE01	\$2,818.00	KDRULL1PE3R	\$2,945.00
KDRULL2P	400	104	\$2,210.00	KDRULL2PE01	\$3,001.00	KDRULL2PE3R	\$3,128.00
KDRULL3P	450	109	\$2,523.00	KDRULL3PE01	\$3,316.00	KDRULL3PE3R	\$3,443.00
KDRULL4P	500	109	\$3,663.00	KDRULL4PE01	\$4,454.00	KDRULL4PE3R	\$4,581.00

**575 Volt Output**

Part Number	NEC Motor HP	Open		UL Type 1 Enclosed		UL Type 3R Enclosed	
		Weight	List Price	Part Number *	List Price	Part Number *	List Price
KDRULA31P	2	4	\$173.00	KDRULA31PE01	\$395.00	KDRULA31PE3R	\$510.00
KDRULA35P	3	4	\$211.00	KDRULA35PE01	\$432.00	KDRULA35PE3R	\$547.00
KDRULA33P	5	4	\$219.00	KDRULA33PE01	\$441.00	KDRULA33PE3R	\$555.00
KDRULA34P	7.5	4	\$247.00	KDRULA34PE01	\$468.00	KDRULA34PE3R	\$583.00
KDRULA36P	10	5	\$309.00	KDRULA36PE01	\$531.00	KDRULA36PE3R	\$645.00
KDRULD31P	15	10	\$316.00	KDRULD31PE01	\$537.00	KDRULD31PE3R	\$652.00
KDRULD32P	20	10	\$356.00	KDRULD32PE01	\$579.00	KDRULD32PE3R	\$693.00
KDRULD35P	25	10	\$427.00	KDRULD35PE01	\$649.00	KDRULD35PE3R	\$763.00
KDRULD33P	30	12	\$483.00	KDRULD33PE01	\$705.00	KDRULD33PE3R	\$819.00
KDRULD34P	40	12	\$504.00	KDRULD34PE01	\$727.00	KDRULD34PE3R	\$840.00
KDRULC31P	50	15	\$695.00	KDRULC31PE01	\$917.00	KDRULC31PE3R	\$1,031.00
KDRULF31P	60	25	\$720.00	KDRULF31PE01	\$1,151.00	KDRULF31PE3R	\$1,240.00
KDRULF32P	75	25	\$817.00	KDRULF32PE01	\$1,248.00	KDRULF32PE3R	\$1,337.00
KDRULF33P	100	33	\$1,046.00	KDRULF33PE01	\$1,477.00	KDRULF33PE3R	\$1,566.00
KDRULH31P	125	43	\$1,151.00	KDRULH31PE01	\$1,625.00	KDRULH31PE3R	\$1,723.00
KDRULI31P	150	56	\$1,418.00	KDRULI31PE01	\$1,849.00	KDRULI31PE3R	\$1,938.00
KDRULI32P	200	51	\$1,862.00	KDRULI32PE01	\$2,654.00	KDRULI32PE3R	\$2,781.00
KDRULG31P	250	69	\$2,111.00	KDRULG31PE01	\$2,903.00	KDRULG31PE3R	\$3,030.00
KDRULJ31P	300	75	\$2,123.00	KDRULJ31PE01	\$2,915.00	KDRULJ31PE3R	\$3,043.00
KDRULJ32P	350	79	\$2,362.00	KDRULJ32PE01	\$3,154.00	KDRULJ32PE3R	\$3,281.00
KDRULL31P	400	104	\$3,210.00	KDRULL31PE01	\$4,002.00	KDRULL31PE3R	\$4,129.00
KDRULL35P	450	109	\$3,336.00	KDRULL35PE01	\$4,129.00	KDRULL35PE3R	\$4,255.00
KDRULL32P	500	109	\$4,149.00	KDRULL32PE01	\$4,941.00	KDRULL32PE3R	\$5,068.00

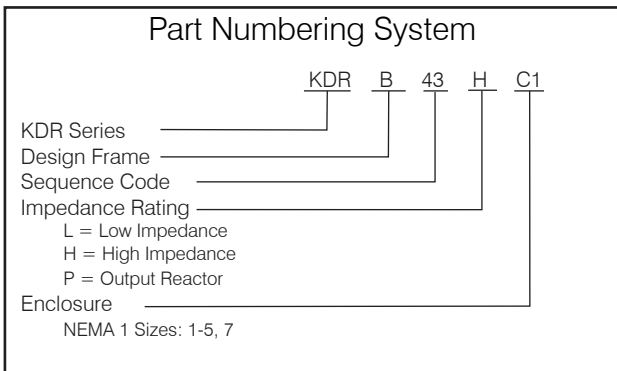
**KDR Output**

\* For enclosed unit dimensions and added weight, please refer to the Reactor Enclosure Price Page

# KDR Optimized Line Reactors

**690 Volt Output**

Part Number	NEC	NEC Motor	Standard	Dimensions (in.)	Open		NEMA 1 Enclosed	
	Motor HP	Current		Terms	Height x Width x Depth	Weight	List Price	Part Number *
KDRA31PV	2	2.7	QD	4.00 x 4.18 x 3.75	4	\$ 166.00	KDRA31PC1V	\$ 290.00
KDRA35PV	3	3.9	QD	4.00 x 4.18 x 3.75	4	\$ 203.00	KDRA35PC1V	\$ 327.00
KDRA33PV	5	6.1	QD	4.00 x 4.18 x 3.75	4	\$ 211.00	KDRA33PC1V	\$ 335.00
KDRA34PV	7.5	9	QD	4.00 x 4.18 x 3.75	4	\$ 237.00	KDRA34PC1V	\$ 362.00
KDRA36PV	10	11	QD	4.00 x 4.18 x 3.75	5	\$ 297.00	KDRA36PC1V	\$ 421.00
KDRD31PV	15	17	RL	5.75 x 7.20 x 4.50	10	\$ 302.00	KDRD31PC2V	\$ 451.00
KDRD32PV	20	22	RL	5.75 x 7.20 x 4.50	10	\$ 340.00	KDRD32PC2V	\$ 488.00
KDRD35PV	25	27	RL	5.75 x 7.20 x 4.50	12	\$ 407.00	KDRD35PC2V	\$ 556.00
KDRD33PV	30	32	RL	5.75 x 7.20 x 4.50	10	\$ 463.00	KDRD33PC2V	\$ 612.00
KDRD34PV	40	41	RL	5.75 x 7.20 x 4.50	12	\$ 484.00	KDRD34PC2V	\$ 633.00
KDRC31PV	50	52	RL	5.75 x 7.20 x 5.00	15	\$ 666.00	KDRC31PC2V	\$ 815.00
KDRF31PV	60	62	RL	7.00 x 9.00 x 6.00	25	\$ 690.00	KDRF31PC3V	\$ 901.00
KDRF32PV	75	77	RL	7.00 x 9.00 x 6.00	25	\$ 783.00	KDRF32PC3V	\$ 994.00
KDRF33PV	100	99	CB	7.00 x 9.00 x 6.00	30	\$ 938.00	KDRF33PC4V	\$ 1,293.00
KDRH31PV	125	125	CB	8.50 x 11.00 x 6.25	40	\$ 1,056.00	KDRH31PC4V	\$ 1,410.00
KDRI31PV	150	144	CB	9.00 x 11.00 x 7.00	50	\$ 1,288.00	KDRI31PC4V	\$ 1,643.00
KDRI32PV	200	192	CB	9.00 x 11.00 x 7.00	45	\$ 1,714.00	KDRI32PC4V	\$ 2,068.00
KDRG31PV	250	242	CB	9.00 x 11.00 x 8.00	60	\$ 1,867.00	KDRG31PC4V	\$ 2,221.00
KDRJ31PV	300	289	CB	9.00 x 11.00 x 9.00	70	\$ 1,880.00	KDRJ31PC5V	\$ 2,351.00
KDRJ32PV	350	336	CB	9.00 x 11.00 x 9.00	70	\$ 2,144.00	KDRJ32PC5V	\$ 2,615.00
KDRL31PV	400	382	CB	11.38 x 14.50 x 9.31	75	\$ 2,839.00	KDRL31PC5V	\$ 3,312.00
KDRL35PV	450	412	CB	11.38 x 14.50 x 9.31	95	\$ 2,960.00	KDRL35PC5V	\$ 3,432.00
KDRL32PV	500	472	CB	11.38 x 14.50 x 9.31	85	\$ 3,741.00	KDRL32PC5V	\$ 4,213.00



\* For enclosed unit dimensions and added weight, please refer to the Reactor Enclosure Price Page

UL Listed available upon request.

# DIN Rail Line Reactors KDR Series: OUTPUT

Output 480 Volt	Part Number	NEC Motor HP	NEC Motor Current	Standard Terms	Dimensions (in.)			Weight	List Price
					Height	Width	Depth		
	KDRA1PDR	2	3.4	TB	4.00	4.18	3.75	4	\$ 162.00
	KDRA2PDR	3	4.8	TB	4.00	4.18	3.75	4	\$ 188.00
	KDRA3PDR	5	7.6	TB	4.00	4.18	3.75	4	\$ 193.00
	KDRA4PDR	7.5	11	TB	4.00	4.18	3.75	5	\$ 198.00
	KDRB1PDR	10	14	TB	5.00	6.00	4.00	7	\$ 265.00

Output 575 Volt	Part Number	NEC Motor HP	NEC Motor Current	Standard Terms	Dimensions (in.)			Weight	List Price
					Height	Width	Depth		
	KDRA31PDR	2	2.7	TB	4.00	4.18	3.75	4	\$ 186.00
	KDRA35PDR	3	3.9	TB	4.00	4.18	3.75	4	\$ 220.00
	KDRA33PDR	5	6.1	TB	4.00	4.18	3.75	4	\$ 230.00
	KDRA34PDR	7.5	9	TB	4.00	4.18	3.75	4	\$ 255.00
	KDRA36PDR	10	11	TB	4.00	4.18	3.75	5	\$ 313.00

Output 690 Volt	Part Number	NEC Motor HP	NEC Motor Current	Standard Terms	Dimensions (in.)			Weight	List Price
					Height	Width	Depth		
	KDRA31PDRV	2	2.7	QD	4.31	4.18	4.75	4	\$ 186.00
	KDRA35PDRV	3	3.9	QD	4.31	4.18	4.75	4	\$ 220.00
	KDRA33PDRV	5	6.1	QD	4.31	4.18	4.75	4	\$ 230.00
	KDRA34PDRV	7.5	9	QD	4.31	4.18	4.75	4	\$ 255.00
	KDRA36PDRV	10	11	QD	4.31	4.18	4.75	5	\$ 313.00

DIN Rail Output