

Line Reactors

KDR Optimized Line Reactors • KLR Series Three Phase Line Reactors • DIN-Rail Line Reactors

KDR At The Input Of The Drive

KDR Optimized Load Reactors applied to the line side of a PWM drive will greatly improve the overall performance of the drive. The additional circuit inductance will reduce AC voltage waveform line notching, DC bus overvoltage trips, inverter overvoltage, poor total power factor, and cross-talk.

Use KDR Low “Z” Units For:

These units can be used in any applications where traditionally either a 1.5% or 3% reactor would be applied.

Reduction of nuisance tripping caused by:

- Transient voltages caused by capacitor switching
- Line notching
- DC bus overvoltage tripping
- Inverter overcurrent and overvoltage

Additional benefits include:

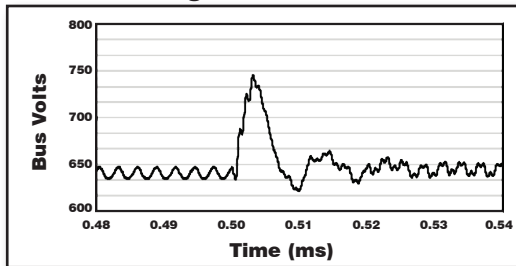
- Lowering injected percentage of harmonic current
- Improving true power factor
- Reducing cross-talk between drives

Use KDR High “Z” Units For:

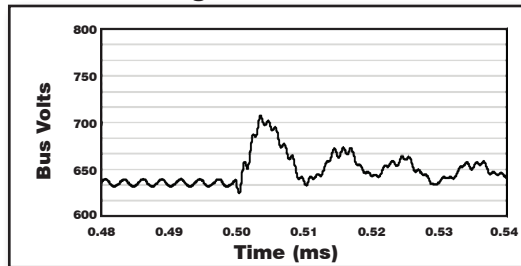
These units can be used in any rugged application where traditionally a 5% reactor would be applied. KDR High “Z” offers the same superior benefits as Low “Z” plus additional benefits which include:

- Helping prevent drive component damage
- Providing maximum harmonic mitigation without adding capacitance
- Further improving true power factor
- Adding impedance to drives with or without DC link chokes/reactors when more impedance is desired due to a relatively stiff source.

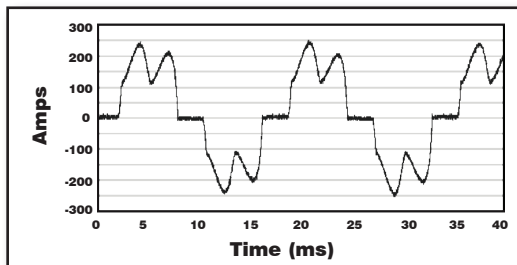
Transient Voltage Without KDR



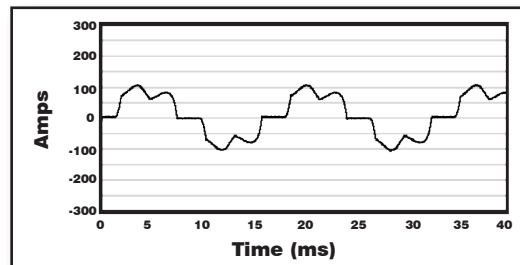
Transient Voltage With KDR



Harmonic Current Distortion Without KDR



Harmonic Current Distortion With KDR



Watts Loss

The watts loss shown above are based on the effects of increased losses in both the core steel laminations and wire due to the presence of harmonic currents. Consideration of eddy currents in the watts loss calculation is important. The watt losses in the reactor core caused by eddy currents are proportional to the harmonic frequency squared. The harmonic current levels were derived from a typical 6 pulse converter as seen in the following table:

KDR Optimized Line Reactors

| 208/240 Volt Low - Z | Part Number | NEC Motor HP | NEC Motor Current | Watts Loss | Standard Terms | Dimensions (in.) | Open | | NEMA 1 Enclosed | |
|----------------------|-------------|--------------|-------------------|------------|---------------------|------------------------|--------|------------|-----------------|------------|
| | | | | | | Height x Width x Depth | Weight | List Price | Part Number | List Price |
| KDRA54L | 0.5 | 2.4 | 7 | TB | 4.00 x 4.18 x 3.75 | 4 | | KDRA54LC1 | | |
| KDRA53L | 0.75 | 3.5 | 12 | TB | 4.00 x 4.18 x 3.75 | 4 | | KDRA53LC1 | | |
| KDRA25L | 1 | 4.6 | 11 | TB | 4.00 x 4.18 x 3.75 | 4 | | KDRA25LC1 | | |
| KDRA26L | 1.5 | 6.6 | 18 | TB | 4.00 x 4.18 x 3.75 | 4 | | KDRA26LC1 | | |
| KDRA27L | 2 | 7.5 | 21 | TB | 4.00 x 4.18 x 3.75 | 8 | | KDRA27LC1 | | |
| KDRA28L | 3 | 10.6 | 29 | TB | 4.00 x 4.18 x 3.75 | 4 | | KDRA28LC1 | | |
| KDRB22L | 5 | 16.7 | 38 | TB | 5.00 x 6.00 x 4.00 | 8 | | KDRB22LC1 | | |
| KDRB23L | 7.5 | 24.2 | 48 | TB | 5.00 x 6.00 x 4.00 | 8 | | KDRB23LC2 | | |
| KDRD25L | 10 | 30.8 | 64 | TB | 5.75 x 7.20 x 4.25 | 12 | | KDRD25LC2 | | |
| KDRD24L | 15 | 46.2 | 85 | TB | 5.75 x 7.20 x 4.25 | 12 | | KDRD24LC2 | | |
| KDRD26L | 20 | 59.4 | 94 | TB | 5.75 x 7.20 x 4.25 | 12 | | KDRD26LC2 | | |
| KDRC22L | 25 | 74.8 | 114 | TB | 5.75 x 7.20 x 5.00 | 15 | | KDRC22LC2 | | |
| KDRF24L | 30 | 88 | 135 | CB | 7.00 x 9.00 x 6.00 | 30 | | KDRF24LC4 | | |
| KDRF25L | 40 | 114 | 149 | CB | 7.00 x 9.00 x 6.00 | 30 | | KDRF25LC4 | | |
| KDRF26L | 50 | 143 | 154 | CB | 7.00 x 9.00 x 6.00 | 30 | | KDRF26LC4 | | |
| KDRH22L | 60 | 169 | 209 | CB | 9.00 x 11.00 x 7.00 | 45 | | KDRH22LC4 | | |
| KDRI23L | 75 | 211 | 294 | CB | 9.00 x 11.00 x 7.00 | 50 | | KDRI23LC4 | | |
| KDRI24L | 100 | 273 | 276 | CB | 9.00 x 11.00 x 7.00 | 50 | | KDRI24LC4 | | |
| KDRG22L | 125 | 343 | 370 | CB | 9.00 x 11.00 x 8.00 | 65 | | KDRG22LC4 | | |
| KDRJ23L | 150 | 396 | 401 | CB | 9.00 x 11.00 x 9.00 | 70 | | KDRJ23LC5 | | |
| KDRJ24L | 200 | 528 | 442 | CB | 9.00 x 11.00 x 9.00 | 70 | | KDRJ24LC5 | | |

| 208/240 Volt High - Z | Part Number | NEC Motor HP | NEC Motor Current | Watts Loss | Standard Terms | Dimensions (in.) | Open | | NEMA 1 Enclosed | |
|-----------------------|-------------|--------------|-------------------|------------|---------------------|------------------------|--------|------------|-----------------|------------|
| | | | | | | Height x Width x Depth | Weight | List Price | Part Number | List Price |
| KDRA54H | 0.5 | 2.4 | 14 | TB | 4.00 x 4.18 x 3.75 | 4 | | KDRA54HC1 | | |
| KDRA53H | 0.75 | 3.5 | 16.8 | TB | 4.00 x 4.18 x 3.75 | 4 | | KDRA53HC1 | | |
| KDRA25H | 1 | 4.6 | 23.6 | TB | 4.00 x 4.18 x 3.75 | 4 | | KDRA25HC1 | | |
| KDRA27H | 1.5 | 6.6 | 30.6 | TB | 4.00 x 4.18 x 3.75 | 4 | | KDRA27HC1 | | |
| KDRA26H | 2 | 7.5 | 30.5 | TB | 4.00 x 4.18 x 3.75 | 4 | | KDRA26HC1 | | |
| KDRA28H | 3 | 10.6 | 43.1 | TB | 4.00 x 4.18 x 3.75 | 4 | | KDRA28HC1 | | |
| KDRB25H | 5 | 16.7 | 53.1 | TB | 5.00 x 6.00 x 4.00 | 8 | | KDRB25HC1 | | |
| KDRB26H | 7.5 | 24.2 | 66.5 | TB | 5.00 x 6.00 x 4.00 | 8 | | KDRB26HC1 | | |
| KDRD21H | 10 | 30.8 | 91.8 | TB | 5.75 x 7.20 x 4.25 | 12 | | KDRD21HC2 | | |
| KDRD22H | 15 | 46.2 | 107.8 | TB | 5.75 x 7.20 x 4.25 | 12 | | KDRD22HC2 | | |
| KDRC22H | 20 | 59.4 | 113.1 | TB | 5.75 x 7.20 x 5.00 | 15 | | KDRC22HC2 | | |
| KDRF28H | 25 | 74.8 | 151 | TB | 7.00 x 9.00 x 6.00 | 30 | | KDRF28HC3 | | |
| KDRF25H | 30 | 88 | 179.2 | CB | 7.00 x 9.00 x 6.00 | 30 | | KDRF25HC4 | | |
| KDRF26H | 40 | 114 | 192.8 | CB | 7.00 x 9.00 x 6.00 | 30 | | KDRF26HC4 | | |
| KDRH24H | 50 | 143 | 201 | CB | 9.00 x 11.00 x 7.00 | 38 | | KDRH24HC4 | | |
| KDRH23H | 60 | 169 | 220 | CB | 9.00 x 11.00 x 7.00 | 45 | | KDRH23HC4 | | |
| KDRI22H | 75 | 211 | 311.5 | CB | 9.00 x 11.00 x 7.00 | 50 | | KDRI22HC4 | | |
| KDRI21H | 100 | 273 | 296.4 | CB | 9.00 x 11.00 x 7.00 | 50 | | KDRI21HC4 | | |
| KDRG25H | 125 | 343 | 346.5 | CB | 9.00 x 11.00 x 8.00 | 65 | | KDRG25HC4 | | |
| KDRJ22H | 150 | 396 | 465.3 | CB | 9.00 x 11.00 x 9.00 | 70 | | KDRJ22HC5 | | |
| KDRJ21H | 200 | 528 | 516.2 | CB | 9.00 x 11.00 x 9.00 | 70 | | KDRJ21HC5 | | |

*For enclosed unit dimensions and added weight, please refer to the Reactor Enclosure Price page.

Revision B

KDR Optimized Line Reactors

| 208/240 Volt Low - Z | Part Number | NEC Motor HP | Open | | UL Type 1 Enclosed | | UL Type 3R Enclosed | |
|----------------------|-------------|--------------|--------|------------|--------------------|------------|---------------------|------------|
| | | | Weight | List Price | Part Number * | List Price | Part Number * | List Price |
| | KDRULA54L | 0.5 | 4 | | KDRULA54LE01 | | KDRULA54LE3R | |
| | KDRULA53L | 0.75 | 4 | | KDRULA53LE01 | | KDRULA53LE3R | |
| | KDRULA25L | 1 | 4 | | KDRULA25LE01 | | KDRULA25LE3R | |
| | KDRULA26L | 1.5 | 4 | | KDRULA26LE01 | | KDRULA26LE3R | |
| | KDRULA27L | 2 | 4 | | KDRULA27LE01 | | KDRULA27LE3R | |
| | KDRULA28L | 3 | 4 | | KDRULA28LE01 | | KDRULA28LE3R | |
| | KDRULB22L | 5 | 8 | | KDRULB22LE01 | | KDRULB22LE3R | |
| | KDRULB23L | 7.5 | 8 | | KDRULB23LE01 | | KDRULB23LE3R | |
| | KDRULD25L | 10 | 12 | | KDRULD25LE01 | | KDRULD25LE3R | |
| | KDRULD24L | 15 | 12 | | KDRULD24LE01 | | KDRULD24LE3R | |
| | KDRULD26L | 20 | 12 | | KDRULD26LE01 | | KDRULD26LE3R | |
| | KDRULC22L | 25 | 15 | | KDRULC22LE01 | | KDRULC22LE3R | |
| | KDRULF24L | 30 | 33 | | KDRULF24LE01 | | KDRULF24LE3R | |
| | KDRULF25L | 40 | 33 | | KDRULF25LE01 | | KDRULF25LE3R | |
| | KDRULF26L | 50 | 36 | | KDRULF26LE01 | | KDRULF26LE3R | |
| | KDRULH22L | 60 | 51 | | KDRULH22LE01 | | KDRULH22LE3R | |
| | KDRULI23L | 75 | 56 | | KDRULI23LE01 | | KDRULI23LE3R | |
| | KDRULI24L | 100 | 56 | | KDRULI24LE01 | | KDRULI24LE3R | |
| | KDRULG22L | 125 | 74 | | KDRULG22LE01 | | KDRULG22LE3R | |
| | KDRULJ23L | 150 | 80 | | KDRULJ23LE01 | | KDRULJ23LE3R | |
| | KDRULJ24L | 200 | 80 | | KDRULJ24LE01 | | KDRULJ24LE3R | |

| 208/240 Volt High - Z | Part Number | NEC Motor HP | Open | | UL Type 1 Enclosed | | UL Type 3R Enclosed | |
|-----------------------|-------------|--------------|--------|------------|--------------------|------------|---------------------|------------|
| | | | Weight | List Price | Part Number * | List Price | Part Number * | List Price |
| | KDRULA54H | 0.5 | 4 | | KDRULA54HE01 | | KDRULA54HE3R | |
| | KDRULA53H | 0.75 | 4 | | KDRULA53HE01 | | KDRULA53HE3R | |
| | KDRULA25H | 1 | 4 | | KDRULA25HE01 | | KDRULA25HE3R | |
| | KDRULA27H | 1.5 | 4 | | KDRULA27HE01 | | KDRULA27HE3R | |
| | KDRULA26H | 2 | 4 | | KDRULA26HE01 | | KDRULA26HE3R | |
| | KDRULA28H | 3 | 4 | | KDRULA28HE01 | | KDRULA28HE3R | |
| | KDRULB25H | 5 | 8 | | KDRULB25HE01 | | KDRULB25HE3R | |
| | KDRULB26H | 7.5 | 8 | | KDRULB26HE01 | | KDRULB26HE3R | |
| | KDRULD21H | 10 | 12 | | KDRULD21HE01 | | KDRULD21HE3R | |
| | KDRULD22H | 15 | 12 | | KDRULD22HE01 | | KDRULD22HE3R | |
| | KDRULC22H | 20 | 15 | | KDRULC22HE01 | | KDRULC22HE3R | |
| | KDRULF28H | 25 | 30 | | KDRULF28HE01 | | KDRULF28HE3R | |
| | KDRULF25H | 30 | 67 | | KDRULF25HE01 | | KDRULF25HE3R | |
| | KDRULF26H | 40 | 33 | | KDRULF26HE01 | | KDRULF26HE3R | |
| | KDRULH24H | 50 | 40 | | KDRULH24HE01 | | KDRULH24HE3R | |
| | KDRULH23H | 60 | 51 | | KDRULH23HE01 | | KDRULH23HE3R | |
| | KDRULI22H | 75 | 56 | | KDRULI22HE01 | | KDRULI22HE3R | |
| | KDRULI21H | 100 | 56 | | KDRULI21HE01 | | KDRULI21HE3R | |
| | KDRULG25H | 125 | 74 | | KDRULG25HE01 | | KDRULG25HE3R | |
| | KDRULJ22H | 150 | 79 | | KDRULJ22HE01 | | KDRULJ22HE3R | |
| | KDRULJ21H | 200 | 80 | | KDRULJ21HE01 | | KDRULJ21HE3R | |

*For enclosed unit dimensions and added weight, please refer to the Reactor Enclosure Price page.

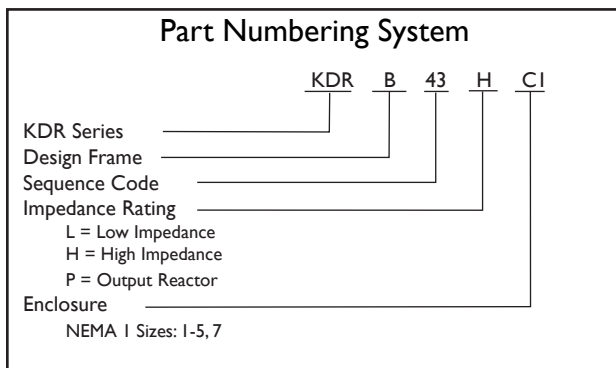
Revision B

KDR Optimized Line Reactors

| Part Number | NEC Motor HP | NEC Motor Current | Watts Loss | Standard Terms | Dimensions (in.) | | Open | | NEMA 1 Enclosed | |
|-------------|--------------|-------------------|------------|----------------|------------------------|--------|------------|-------------|-----------------|--|
| | | | | | Height x Width x Depth | Weight | List Price | Part Number | List Price | |
| KDRA6L | 0.5 | 1.1 | 5.6 | TB | 4.00 x 4.18 x 3.75 | 4 | | | KDRA6LC1 | |
| KDRA7L | 0.75 | 1.6 | 10 | TB | 4.00 x 4.18 x 3.75 | 4 | | | KDRA7LC1 | |
| KDRA8L | 1 | 2.1 | 10.4 | TB | 4.00 x 4.18 x 3.75 | 4 | | | KDRA8LC1 | |
| KDRA9L | 1.5 | 3 | 17 | TB | 4.00 x 4.18 x 3.75 | 4 | | | KDRA9LC1 | |
| KDRA1L | 2 | 3.4 | 19 | TB | 4.00 x 4.18 x 3.75 | 4 | | | KDRA1LC1 | |
| KDRA2L | 3 | 4.8 | 23 | TB | 4.00 x 4.18 x 3.75 | 4 | | | KDRA2LC1 | |
| KDRA3L | 5 | 7.6 | 49 | TB | 4.00 x 4.18 x 3.75 | 4 | | | KDRA3LC1 | |
| KDRA4L | 7.5 | 11 | 40 | TB | 4.00 x 4.18 x 3.75 | 4 | | | KDRA4LC1 | |
| KDRA5L | 10 | 14 | 64 | TB | 4.00 x 4.18 x 3.75 | 5 | | | KDRA5LC1 | |
| KDRB2L | 15 | 21 | 65 | TB | 5.00 x 6.00 x 4.00 | 8 | | | KDRB2LC1 | |
| KDRB1L | 20 | 27 | 79 | TB | 5.00 x 6.00 x 4.00 | 8 | | | KDRB1LC1 | |
| KDRD1L | 25 | 34 | 96 | TB | 5.75 x 7.20 x 4.25 | 10 | | | KDRD1LC2 | |
| KDRD2L | 30 | 40 | 105 | TB | 5.75 x 7.20 x 4.25 | 10 | | | KDRD2LC2 | |
| KDRC1L | 40 | 52 | 114 | TB | 5.75 x 7.20 x 5.00 | 15 | | | KDRC1LC2 | |
| KDRF2L | 50 | 65 | 114 | TB | 7.00 x 9.00 x 6.00 | 25 | | | KDRF2LC3 | |
| KDRF4L | 60 | 77 | 169 | TB | 7.00 x 9.00 x 6.00 | 25 | | | KDRF4LC3 | |
| KDRF3L | 75 | 96 | 193 | CB | 7.00 x 9.00 x 6.00 | 30 | | | KDRF3LC4 | |
| KDRH3L | 100 | 124 | 225 | CB | 9.00 x 11.00 x 7.00 | 40 | | | KDRH3LC4 | |
| KDRH2L | 125 | 156 | 254 | CB | 9.00 x 11.00 x 7.00 | 40 | | | KDRH2LC4 | |
| KDRH1L | 150 | 180 | 299 | CB | 9.00 x 11.00 x 7.00 | 40 | | | KDRH1LC4 | |
| KDRG3L | 200 | 240 | 280 | CB | 9.00 x 11.00 x 8.00 | 65 | | | KDRG3LC4 | |
| KDRG1L | 250 | 302 | 337 | CB | 9.00 x 11.00 x 8.00 | 65 | | | KDRG1LC4 | |
| KDRG2L | 300 | 361 | 381 | CB | 9.00 x 11.00 x 8.00 | 65 | | | KDRG2LC4 | |
| KDRJ2L | 350 | 414 | 465 | CB | 9.00 x 11.00 x 9.00 | 70 | | | KDRJ2LC5 | |
| KDRJ1L | 400 | 477 | 470 | CB | 9.00 x 11.00 x 9.00 | 70 | | | KDRJ1LC5 | |
| KDRL1L | 450 | 515 | 509 | CB | 11.38 x 14.50 x 9.50 | 110 | | | KDRL1LC5 | |
| KDRL2L | 500 | 590 | 518 | CB | 11.38 x 14.50 x 9.50 | 110 | | | KDRL2LC5 | |
| KDRL3L | 600 | 720 | 748 | CB | 11.38 x 14.50 x 9.50 | 155 | | | KDRL3LC5 | |
| KDRS1L | 700 | 840 | 872 | CB | 11.38 x 15.00 x 12.50 | 158 | | | KDRS1LC7 | |
| KDRX2L | 800 | 960 | 997 | CB | 18.50 x 18.25 x 12.50 | 280 | | | KDRX2LC7 | |
| KDRX3L | 900 | 1080 | 1121 | CB | 18.50 x 18.25 x 12.50 | 275 | | | KDRX3LC7 | |
| KDRX1L | 1000 | 1200 | 1246 | CB | 18.50 x 18.25 x 12.50 | 290 | | | KDRX1LC7 | |
| KDRY1L | 1100 | 1320 | 1371 | CB | 20.00 x 21.00 x 16.00 | 475 | | | KDRY1LC7 | |
| KDRY2L | 1250 | 1500 | 1558 | CB | 20.00 x 21.00 x 16.00 | 500 | | | KDRY2LC7 | |

480 VOLT Low-Z

*For enclosed unit dimensions and added weight, please refer to the Reactor Enclosure Price page.

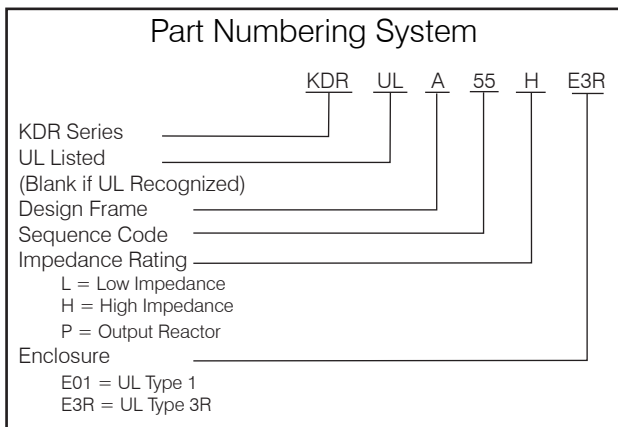


KDR Optimized Line Reactors

| Part Number | NEC Motor HP | Open | | UL Type 1 Enclosed | | UL Type 3R Enclosed | |
|-------------|--------------|--------|------------|--------------------|------------|---------------------|------------|
| | | Weight | List Price | Part Number * | List Price | Part Number * | List Price |
| KDRULA6L | 0.5 | 4 | | KDRULA6LE01 | | KDRULA6LE3R | |
| KDRULA7L | 0.75 | 4 | | KDRULA7LE01 | | KDRULA7LE3R | |
| KDRULA8L | 1 | 4 | | KDRULA8LE01 | | KDRULA8LE3R | |
| KDRULA9L | 1.5 | 4 | | KDRULA9LE01 | | KDRULA9LE3R | |
| KDRULA1L | 2 | 4 | | KDRULA1LE01 | | KDRULA1LE3R | |
| KDRULA2L | 3 | 4 | | KDRULA2LE01 | | KDRULA2LE3R | |
| KDRULA3L | 5 | 4 | | KDRULA3LE01 | | KDRULA3LE3R | |
| KDRULA4L | 7.5 | 4 | | KDRULA4LE01 | | KDRULA4LE3R | |
| KDRULA5L | 10 | 5 | | KDRULA5LE01 | | KDRULA5LE3R | |
| KDRULB2L | 15 | 8 | | KDRULB2LE01 | | KDRULB2LE3R | |
| KDRULB1L | 20 | 8 | | KDRULB1LE01 | | KDRULB1LE3R | |
| KDRULD1L | 25 | 10 | | KDRULD1LE01 | | KDRULD1LE3R | |
| KDRULD2L | 30 | 10 | | KDRULD2LE01 | | KDRULD2LE3R | |
| KDRULC1L | 40 | 15 | | KDRULC1LE01 | | KDRULC1LE3R | |
| KDRULF2L | 50 | 25 | | KDRULF2LE01 | | KDRULF2LE3R | |
| KDRULF4L | 60 | 25 | | KDRULF4LE01 | | KDRULF4LE3R | |
| KDRULF3L | 75 | 33 | | KDRULF3LE01 | | KDRULF3LE3R | |
| KDRULH3L | 100 | 46 | | KDRULH3LE01 | | KDRULH3LE3R | |
| KDRULH2L | 125 | 46 | | KDRULH2LE01 | | KDRULH2LE3R | |
| KDRULH1L | 150 | 46 | | KDRULH1LE01 | | KDRULH1LE3R | |
| KDRULG3L | 200 | 74 | | KDRULG3LE01 | | KDRULG3LE3R | |
| KDRULG1L | 250 | 74 | | KDRULG1LE01 | | KDRULG1LE3R | |
| KDRULG2L | 300 | 74 | | KDRULG2LE01 | | KDRULG2LE3R | |
| KDRULJ2L | 350 | 80 | | KDRULJ2LE01 | | KDRULJ2LE3R | |
| KDRULJ1L | 400 | 80 | | KDRULJ1LE01 | | KDRULJ1LE3R | |
| KDRULL1L | 450 | 120 | | KDRULL1LE01 | | KDRULL1LE3R | |
| KDRULL2L | 500 | 120 | | KDRULL2LE01 | | KDRULL2LE3R | |
| KDRULL3L | 600 | 164 | | KDRULL3LE01 | | | |
| KDRULS1L | 700 | 180 | | KDRULS1LE01 | | | |
| KDRULX2L | 800 | 290 | | KDRULX2LE01 | | | |
| KDRULX3L | 900 | 305 | | KDRULX3LE01 | | | |
| KDRULX1L | 1000 | 317 | | KDRULX1LE01 | | | |
| KDRULY1L | 1100 | 502 | | KDRULY1LE01 | | | |
| KDRULY2L | 1250 | 524 | | KDRULY2LE01 | | | |

480 Volt Low-Z

Consult Factory for Assistance

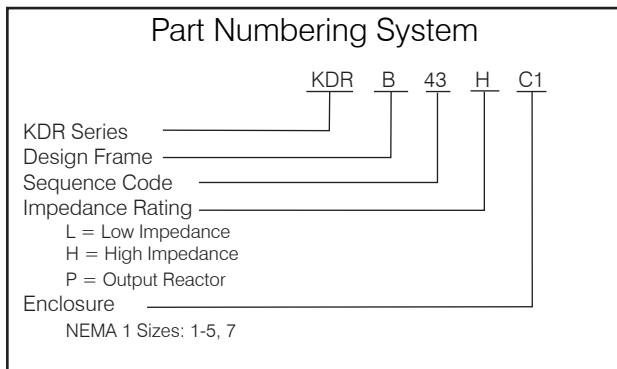


KDR Optimized Line Reactors

| Part Number | NEC Motor HP | NEC Motor Current | Watts Loss | Standard Terms | Dimensions (in.) Height x Width x Depth | Open | | NEMA 1 Enclosed | |
|-------------|--------------|-------------------|------------|----------------|--|--------|------------|-----------------|------------|
| | | | | | | Weight | List Price | Part Number | List Price |
| KDRA6H | 0.5 | 1.1 | 9 | TB | 4.00 x 4.18 x 3.75 | 4 | | KDRA6HC1 | |
| KDRA7H | 0.75 | 1.6 | 15 | TB | 4.00 x 4.18 x 3.75 | 4 | | KDRA7HC1 | |
| KDRA8H | 1 | 2.1 | 12 | TB | 4.00 x 4.18 x 3.75 | 4 | | KDRA8HC1 | |
| KDRA9H | 1.5 | 3 | 23 | TB | 4.00 x 4.18 x 3.75 | 4 | | KDRA9HC1 | |
| KDRA1H | 2 | 3.4 | 33 | TB | 4.00 x 4.18 x 3.75 | 4 | | KDRA1HC1 | |
| KDRA2H | 3 | 4.8 | 38 | TB | 4.00 x 4.18 x 3.75 | 4 | | KDRA2HC1 | |
| KDRA3H | 5 | 7.6 | 80 | TB | 4.00 x 4.18 x 3.75 | 4 | | KDRA3HC1 | |
| KDRA4H | 7.5 | 11 | 77 | TB | 4.00 x 4.18 x 3.75 | 5 | | KDRA4HC1 | |
| KDRA5H | 10 | 14 | 111 | TB | 4.00 x 4.18 x 3.75 | 5 | | KDRA5HC1 | |
| KDRB2H | 15 | 21 | 133 | TB | 5.00 x 6.00 x 4.00 | 7 | | KDRB2HC1 | |
| KDRC3H | 20 | 27 | 108 | TB | 5.75 x 7.20 x 5.00 | 15 | | KDRC3HC2 | |
| KDRC1H | 25 | 34 | 112 | TB | 5.75 x 7.20 x 5.00 | 15 | | KDRC1HC2 | |
| KDRE2H | 30 | 40 | 141 | TB | 5.75 x 7.20 x 5.00 | 16 | | KDRE2HC2 | |
| KDRF4H | 40 | 52 | 169 | TB | 7.00 x 9.00 x 6.00 | 25 | | KDRF4HC3 | |
| KDRF1H | 50 | 65 | 191 | TB | 7.00 x 9.00 x 6.00 | 25 | | KDRF1HC3 | |
| KDRF2H | 60 | 77 | 226 | TB | 7.00 x 9.00 x 6.00 | 25 | | KDRF2HC3 | |
| KDRH2H | 75 | 96 | 212 | CB | 9.00 x 11.00 x 7.00 | 45 | | KDRH2HC4 | |
| KDRI2H | 100 | 124 | 362 | CB | 9.00 x 11.00 x 7.00 | 52 | | KDRI2HC4 | |
| KDRG3H | 125 | 156 | 274 | CB | 9.00 x 11.00 x 8.00 | 55 | | KDRG3HC4 | |
| KDRG1H | 150 | 180 | 359 | CB | 9.00 x 11.00 x 8.00 | 55 | | KDRG1HC4 | |
| KDRJ1H | 200 | 240 | 420 | CB | 9.00 x 11.00 x 9.00 | 70 | | KDRJ1HC5 | |
| KDRL1H | 250 | 302 | 548 | CB | 11.38 x 14.50 x 9.50 | 110 | | KDRL1HC5 | |
| KDRL2H | 300 | 361 | 786 | CB | 11.38 x 14.50 x 9.31 | 95 | | KDRL2HC5 | |
| KDRL3H | 350 | 414 | 750 | CB | 11.38 x 14.50 x 9.31 | 100 | | KDRL3HC5 | |
| KDRL4H | 400 | 477 | 730 | CB | 11.38 x 14.50 x 9.50 | 110 | | KDRL4HC5 | |
| KDRL5H | 450 | 515 | 774 | CB | 11.38 x 14.50 x 11.00 | 120 | | KDRL5HC5 | |
| KDRL6H | 500 | 590 | 697 | CB | 11.38 x 14.50 x 11.00 | 120 | | KDRL6HC5 | |
| KDRS1H | 600 | 720 | 1246 | CB | 11.38 x 15.00 x 13.00 | 260 | | KDRS1HC7 | |
| KDRS2H | 700 | 840 | 1454 | CB | 11.38 x 15.00 x 13.00 | 260 | | KDRS2HC7 | |
| KDRX2H | 800 | 960 | 1661 | CB | 18.50 x 18.25 x 12.50 | 290 | | KDRX2HC7 | |
| KDRX3H | 900 | 1080 | 1869 | CB | 18.50 x 18.25 x 12.50 | 290 | | KDRX3HC7 | |
| KDRX4H | 1000 | 1200 | 1337 | CB | 18.50 x 18.25 x 12.50 | 274 | | KDRX4HC7 | |
| KDRY2H | 1100 | 1320 | 2284 | CB | 20.00 x 21.00 x 16.00 | 525 | | KDRY2HC7 | |
| KDRY1H | 1250 | 1500 | 2596 | CB | 20.00 x 21.00 x 16.00 | 575 | | KDRY1HC7 | |

480 Volt High-Z

*For enclosed unit dimensions and added weight, please refer to the Reactor Enclosure Price page.



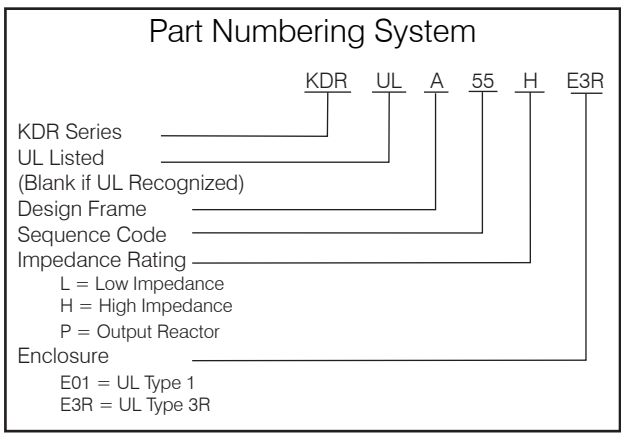
Revision B

KDR Optimized Line Reactors

| Part Number | NEC Motor HP | Open | | UL Type 1 Enclosed | | UL Type 3R Enclosed | |
|-------------|--------------|--------|------------|--------------------|------------|---------------------|------------|
| | | Weight | List Price | Part Number * | List Price | Part Number * | List Price |
| KDRULA6H | 0.5 | 4 | | KDRULA6HE01 | | KDRULA6HE3R | |
| KDRULA7H | 0.75 | 4 | | KDRULA7HE01 | | KDRULA7HE3R | |
| KDRULA8H | 1 | 4 | | KDRULA8HE01 | | KDRULA8HE3R | |
| KDRULA9H | 1.5 | 4 | | KDRULA9HE01 | | KDRULA9HE3R | |
| KDRULA1H | 2 | 4 | | KDRULA1HE01 | | KDRULA1HE3R | |
| KDRULA2H | 3 | 4 | | KDRULA2HE01 | | KDRULA2HE3R | |
| KDRULA3H | 5 | 4 | | KDRULA3HE01 | | KDRULA3HE3R | |
| KDRULA4H | 7.5 | 5 | | KDRULA4HE01 | | KDRULA4HE3R | |
| KDRULA5H | 10 | 5 | | KDRULA5HE01 | | KDRULA5HE3R | |
| KDRULB2H | 15 | 7 | | KDRULB2HE01 | | KDRULB2HE3R | |
| KDRULC3H | 20 | 15 | | KDRULC3HE01 | | KDRULC3HE3R | |
| KDRULC1H | 25 | 15 | | KDRULC1HE01 | | KDRULC1HE3R | |
| KDRULE2H | 30 | 16 | | KDRULE2HE01 | | KDRULE2HE3R | |
| KDRULF4H | 40 | 25 | | KDRULF4HE01 | | KDRULF4HE3R | |
| KDRULF1H | 50 | 25 | | KDRULF1HE01 | | KDRULF1HE3R | |
| KDRULF2H | 60 | 25 | | KDRULF2HE01 | | KDRULF2HE3R | |
| KDRULH2H | 75 | 52 | | KDRULH2HE01 | | KDRULH2HE3R | |
| KDRULI2H | 100 | 52 | | KDRULI2HE01 | | KDRULI2HE3R | |
| KDRULG3H | 125 | 57 | | KDRULG3HE01 | | KDRULG3HE3R | |
| KDRULG1H | 150 | 60 | | KDRULG1HE01 | | KDRULG1HE3R | |
| KDRULJ1H | 200 | 75 | | KDRULJ1HE01 | | KDRULJ1HE3R | |
| KDRULL1H | 250 | 105 | | KDRULL1HE01 | | KDRULL1HE3R | |
| KDRULL2H | 300 | 105 | | KDRULL2HE01 | | KDRULL2HE3R | |
| KDRULL3H | 350 | 109 | | KDRULL3HE01 | | KDRULL3HE3R | |
| KDRULL4H | 400 | 135 | | KDRULL4HE01 | | KDRULL4HE3R | |
| KDRULL5H | 450 | 135 | | KDRULL5HE01 | | KDRULL5HE3R | |
| KDRULL6H | 500 | 135 | | KDRULL6HE01 | | KDRULL6HE3R | |
| KDRULS1H | 600 | 272 | | KDRULS1HE01 | | | |
| KDRULS2H | 700 | 280 | | KDRULS2HE01 | | | |
| KDRULX2H | 800 | 305 | | KDRULX2HE01 | | | |
| KDRULX3H | 900 | 308 | | KDRULX3HE01 | | | |
| KDRULX4H | 1000 | 317 | | KDRULX4HE01 | | | |
| KDRULY2H | 1100 | 550 | | KDRULY2HE01 | | | |
| KDRULY1H | 1250 | 695 | | KDRULY1HE01 | | | |

480 Volt High-Z

Consult Factory for Assistance

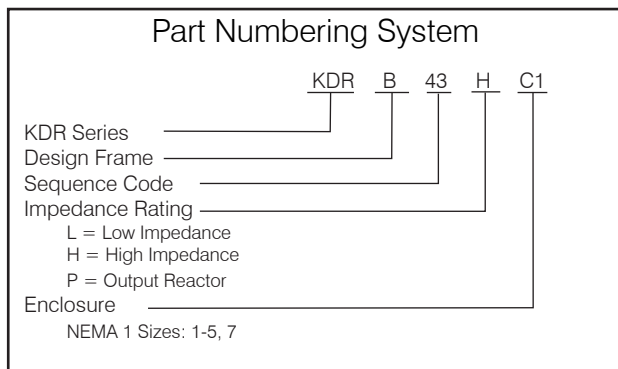


KDR Optimized Line Reactors

| Part Number | NEC Motor HP | NEC Motor Current | Watts Loss | Standard Terms | Dimensions (in.) | | Open | | NEMA 1 Enclosed | |
|-------------|--------------|-------------------|------------|----------------|------------------------|--------|------------|-------------|-----------------|--|
| | | | | | Height x Width x Depth | Weight | List Price | Part Number | List Price | |
| KDRA55L | 0.5 | 0.9 | 6 | TB | 4.00 x 4.18 x 3.75 | 4 | | KDRA55LC1 | | |
| KDRA56L | 0.75 | 1.3 | 9.3 | TB | 4.00 x 4.18 x 3.75 | 4 | | KDRA56LC1 | | |
| KDRA50L | 1 | 1.7 | 12 | TB | 4.00 x 4.18 x 3.75 | 4 | | KDRA50LC1 | | |
| KDRA51L | 1.5 | 2.4 | 19 | TB | 4.00 x 4.18 x 3.75 | 4 | | KDRA51LC1 | | |
| KDRA46L | 2 | 2.7 | 22 | TB | 4.00 x 4.18 x 3.75 | 4 | | KDRA46LC1 | | |
| KDRA52L | 3 | 3.9 | 23.3 | TB | 4.00 x 4.18 x 3.75 | 4 | | KDRA52LC1 | | |
| KDRA47L | 5 | 6.1 | 34.7 | TB | 4.00 x 4.18 x 3.75 | 4 | | KDRA47LC1 | | |
| KDRA48L | 7.5 | 9 | 42.9 | TB | 4.00 x 4.18 x 3.75 | 4 | | KDRA48LC1 | | |
| KDRA49L | 10 | 11 | 43.8 | TB | 4.00 x 4.18 x 3.75 | 5 | | KDRA49LC1 | | |
| KDRB45L | 15 | 17 | 66.2 | TB | 5.00 x 6.00 x 4.00 | 8 | | KDRB45LC1 | | |
| KDRB44L | 20 | 22 | 71.2 | TB | 5.00 x 6.00 x 4.00 | 8 | | KDRB44LC1 | | |
| KDRB43L | 25 | 27 | 76.7 | TB | 5.00 x 6.00 x 4.00 | 8 | | KDRB43LC1 | | |
| KDRD42L | 30 | 32 | 106 | TB | 5.75 x 7.20 x 4.25 | 12 | | KDRD42LC2 | | |
| KDRC43L | 40 | 41 | 109 | TB | 5.75 x 7.20 x 5.00 | 15 | | KDRC43LC2 | | |
| KDRC44L | 50 | 52 | 123 | TB | 5.75 x 7.20 x 5.00 | 15 | | KDRC44LC2 | | |
| KDRF46L | 60 | 62 | 181 | TB | 7.00 x 9.00 x 6.00 | 30 | | KDRF46LC3 | | |
| KDRF47L | 75 | 77 | 194 | TB | 7.00 x 9.00 x 6.00 | 30 | | KDRF47LC3 | | |
| KDRF45L | 100 | 99 | 194 | CB | 7.00 x 9.00 x 6.00 | 30 | | KDRF45LC4 | | |
| KDRH43L | 125 | 125 | 261 | CB | 9.00 x 11.00 x 7.00 | 45 | | KDRH43LC4 | | |
| KDRH44L | 150 | 144 | 253 | CB | 9.00 x 11.00 x 7.00 | 45 | | KDRH44LC4 | | |
| KDRI42L | 200 | 192 | 342 | CB | 9.00 x 11.00 x 7.00 | 50 | | KDRI42LC4 | | |
| KDRG47L | 250 | 242 | 394 | CB | 9.00 x 11.00 x 8.00 | 65 | | KDRG47LC4 | | |
| KDRG45L | 300 | 289 | 374 | CB | 9.00 x 11.00 x 8.00 | 65 | | KDRG45LC4 | | |
| KDRJ45L | 350 | 336 | 474 | CB | 9.00 x 11.00 x 9.00 | 70 | | KDRJ45LC5 | | |
| KDRJ43L | 400 | 382 | 463 | CB | 9.00 x 11.00 x 9.00 | 70 | | KDRJ43LC5 | | |
| KDRJ44L | 450 | 412 | 473 | CB | 9.00 x 11.00 x 9.00 | 70 | | KDRJ44LC5 | | |
| KDRL45L | 500 | 472 | 587 | CB | 11.38 x 15.00 x 11.00 | 110 | | KDRL45LC5 | | |
| KDRL42L | 600 | 576 | 716 | CB | 11.38 x 15.00 x 11.00 | 150 | | KDRL42LC5 | | |
| KDRL43L | 700 | 672 | 836 | CB | 11.38 x 15.00 x 11.00 | 160 | | KDRL43LC5 | | |
| KDRS41L | 800 | 768 | 685 | CB | 11.38 x 15.00 x 13.00 | 185 | | KDRS41LC7 | | |
| KDRX41L | 900 | 864 | 1075 | CB | 18.50 x 18.25 x 12.50 | 280 | | KDRX41LC7 | | |
| KDRX42L | 1000 | 960 | 1194 | CB | 18.50 x 18.25 x 12.50 | 280 | | KDRX42LC7 | | |
| KDRX43L | 1100 | 1056 | 1313 | CB | 18.50 x 18.25 x 12.50 | 315 | | KDRX43LC7 | | |
| KDRX44L | 1250 | 1200 | 1493 | CB | 18.50 x 18.25 x 12.50 | 300 | | KDRX44LC7 | | |
| KDRY41L | 1500 | 1440 | 1791 | CB | 20.00 x 21.00 x 16.00 | 465 | | KDRY41LC7 | | |

575/600 Volt Low-Z

*For enclosed unit dimensions and added weight, please refer to the Reactor Enclosure Price page.

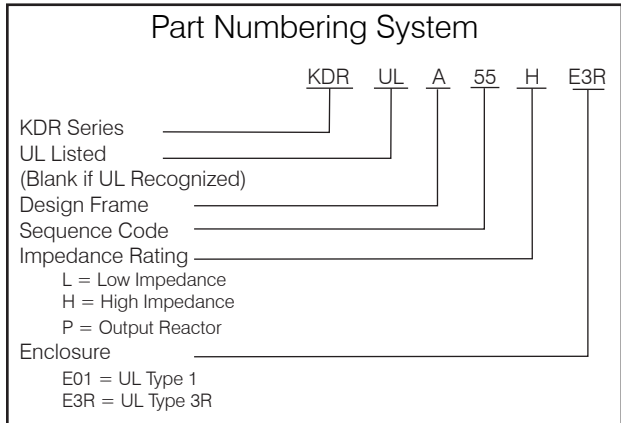


KDR Optimized Line Reactors

| Part Number | NEC Motor HP | Open | | UL Type 1 Enclosed | | UL Type 3R Enclosed | |
|-------------|--------------|--------|------------|--------------------|------------|---------------------|------------|
| | | Weight | List Price | Part Number * | List Price | Part Number * | List Price |
| KDRULA55L | 0.5 | 4 | | KDRULA55LE01 | | KDRULA55LE3R | |
| KDRULA56L | 0.75 | 4 | | KDRULA56LE01 | | KDRULA56LE3R | |
| KDRULA50L | 1 | 4 | | KDRULA50LE01 | | KDRULA50LE3R | |
| KDRULA51L | 1.5 | 4 | | KDRULA51LE01 | | KDRULA51LE3R | |
| KDRULA46L | 2 | 4 | | KDRULA46LE01 | | KDRULA46LE3R | |
| KDRULA52L | 3 | 4 | | KDRULA52LE01 | | KDRULA52LE3R | |
| KDRULA47L | 5 | 4 | | KDRULA47LE01 | | KDRULA47LE3R | |
| KDRULA48L | 7.5 | 4 | | KDRULA48LE01 | | KDRULA48LE3R | |
| KDRULA49L | 10 | 5 | | KDRULA49LE01 | | KDRULA49LE3R | |
| KDRULB45L | 15 | 8 | | KDRULB45LE01 | | KDRULB45LE3R | |
| KDRULB44L | 20 | 8 | | KDRULB44LE01 | | KDRULB44LE3R | |
| KDRULB43L | 25 | 8 | | KDRULB43LE01 | | KDRULB43LE3R | |
| KDRULD42L | 30 | 12 | | KDRULD42LE01 | | KDRULD42LE3R | |
| KDRULC43L | 40 | 15 | | KDRULC43LE01 | | KDRULC43LE3R | |
| KDRULC44L | 50 | 15 | | KDRULC44LE01 | | KDRULC44LE3R | |
| KDRULF46L | 60 | 30 | | KDRULF46LE01 | | KDRULF46LE3R | |
| KDRULF47L | 75 | 30 | | KDRULF47LE01 | | KDRULF47LE3R | |
| KDRULF45L | 100 | 33 | | KDRULF45LE01 | | KDRULF45LE3R | |
| KDRULH43L | 125 | 48 | | KDRULH43LE01 | | KDRULH43LE3R | |
| KDRULH44L | 150 | 51 | | KDRULH44LE01 | | KDRULH44LE3R | |
| KDRULI42L | 200 | 56 | | KDRULI42LE01 | | KDRULI42LE3R | |
| KDRULG47L | 250 | 74 | | KDRULG47LE01 | | KDRULG47LE3R | |
| KDRULG45L | 300 | 74 | | KDRULG45LE01 | | KDRULG45LE3R | |
| KDRULJ45L | 350 | 79 | | KDRULJ45LE01 | | KDRULJ45LE3R | |
| KDRULJ43L | 400 | 79 | | KDRULJ43LE01 | | KDRULJ43LE3R | |
| KDRULJ44L | 450 | 79 | | KDRULJ44LE01 | | KDRULJ44LE3R | |
| KDRULL45L | 500 | 125 | | KDRULL45LE01 | | KDRULL45LE3R | |
| KDRULL42L | 600 | 165 | | KDRULL42LE01 | | KDRULL42LE3R | |
| KDRULL43L | 700 | 288 | | KDRULL43LE01 | | | |
| KDRULS41L | 800 | 293 | | KDRULS41LE01 | | | |
| KDRULX41L | 900 | 280 | | KDRULX41LE01 | | | |
| KDRULX42L | 1000 | 314 | | KDRULX42LE01 | | | |
| KDRULX43L | 1100 | 340 | | KDRULX43LE01 | | | |
| KDRULX44L | 1250 | 350 | | KDRULX44LE01 | | | |
| KDRULY41L | 1500 | 525 | | KDRULY41LE01 | | | |

575/600 Volt Low-Z

Consult Factory for Assistance

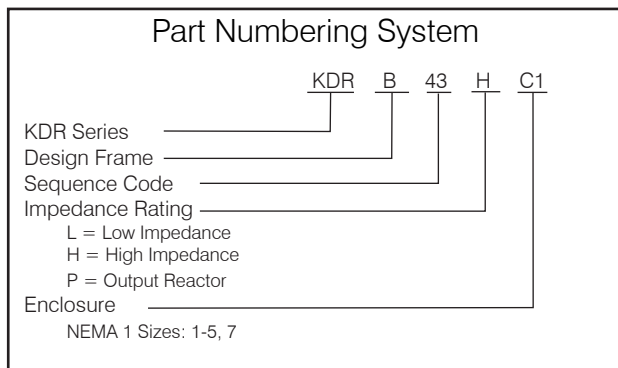


KDR Optimized Line Reactors

| Part Number | NEC Motor HP | NEC Motor Current | Watts Loss | Standard Terms | Dimensions (in.) | | Open | | NEMA 1 Enclosed | |
|-------------|--------------|-------------------|------------|----------------|------------------------|--------|------------|-------------|-----------------|--|
| | | | | | Height x Width x Depth | Weight | List Price | Part Number | List Price | |
| KDRA55H | 0.5 | 0.9 | 9 | TB | 4.00 x 4.18 x 3.75 | 4 | | | KDRA55HC1 | |
| KDRA52H | 0.75 | 1.3 | 13 | TB | 4.00 x 4.18 x 3.75 | 4 | | | KDRA52HC1 | |
| KDRA50H | 1 | 1.7 | 17 | TB | 4.00 x 4.18 x 3.75 | 4 | | | KDRA50HC1 | |
| KDRA51H | 1.5 | 2.4 | 26 | TB | 4.00 x 4.18 x 3.75 | 4 | | | KDRA51HC1 | |
| KDRA43H | 2 | 2.7 | 24 | TB | 4.00 x 4.18 x 3.75 | 4 | | | KDRA43HC1 | |
| KDRA44H | 3 | 3.9 | 35 | TB | 4.00 x 4.18 x 3.75 | 4 | | | KDRA44HC1 | |
| KDRA45H | 5 | 6.1 | 48 | TB | 4.00 x 4.18 x 3.75 | 4 | | | KDRA45HC1 | |
| KDRB42H | 7.5 | 9 | 61 | TB | 5.00 x 6.00 x 4.00 | 8 | | | KDRB42HC2 | |
| KDRB43H | 10 | 11 | 71 | TB | 5.00 x 6.00 x 4.00 | 8 | | | KDRB43HC2 | |
| KDRB44H | 15 | 17 | 73 | TB | 5.00 x 6.00 x 4.00 | 8 | | | KDRB44HC2 | |
| KDRD41H | 20 | 22 | 106 | TB | 5.75 x 7.20 x 4.25 | 12 | | | KDRD41HC2 | |
| KDRC43H | 25 | 27 | 107 | TB | 5.75 x 7.20 x 5.00 | 15 | | | KDRC43HC2 | |
| KDRE42H | 30 | 32 | 140 | TB | 5.75 x 7.20 x 5.00 | 16 | | | KDRE42HC2 | |
| KDRF44H | 40 | 41 | 172 | TB | 7.00 x 9.00 x 6.00 | 30 | | | KDRF44HC3 | |
| KDRF45H | 50 | 52 | 166 | TB | 7.00 x 9.00 x 6.00 | 30 | | | KDRF45HC3 | |
| KDRH43H | 60 | 62 | 205 | TB | 9.00 x 11.00 x 6.00 | 45 | | | KDRH43HC4 | |
| KDRH42H | 75 | 77 | 251 | TB | 9.00 x 11.00 x 6.00 | 45 | | | KDRH42HC4 | |
| KDRI41H | 100 | 99 | 268 | CB | 9.00 x 11.00 x 7.00 | 50 | | | KDRI41HC4 | |
| KDRG44H | 125 | 125 | 381 | CB | 9.00 x 11.00 x 7.50 | 65 | | | KDRG44HC4 | |
| KDRG45H | 150 | 144 | 406 | CB | 9.00 x 11.00 x 8.00 | 65 | | | KDRG45HC4 | |
| KDRJ41H | 200 | 192 | 466 | CB | 9.00 x 11.00 x 9.00 | 70 | | | KDRJ41HC5 | |
| KDRL46H | 250 | 242 | 472 | CB | 11.38 x 15.00 x 11.00 | 110 | | | KDRL46HC5 | |
| KDRL47H | 300 | 289 | 490 | CB | 11.38 x 15.00 x 11.00 | 110 | | | KDRL47HC5 | |
| KDRL48H | 350 | 336 | 539 | CB | 11.38 x 15.00 x 11.00 | 110 | | | KDRL48HC5 | |
| KDRL49H | 400 | 382 | 603 | CB | 11.38 x 15.00 x 11.00 | 110 | | | KDRL49HC5 | |
| KDRS47H | 450 | 412 | 521 | CB | 11.38 x 15.00 x 13.00 | 150 | | | KDRS47HC5 | |
| KDRS46H | 500 | 472 | 661 | CB | 11.38 x 15.00 x 13.00 | 150 | | | KDRS46HC5 | |
| KDRS49H | 600 | 576 | 1194 | CB | 11.38 x 15.00 x 13.00 | 176 | | | KDRS49HC5 | |
| KDRS48H | 700 | 672 | 1393 | CB | 11.38 x 15.00 x 13.00 | 200 | | | KDRS48HC5 | |
| KDRX44H | 800 | 768 | 1592 | CB | 18.50 x 18.25 x 12.50 | 310 | | | KDRX44HC7 | |
| KDRX41H | 900 | 864 | 1791 | CB | 18.50 x 18.25 x 12.50 | 310 | | | KDRX41HC7 | |
| KDRX42H | 1000 | 960 | 1990 | CB | 18.50 x 18.25 x 12.50 | 375 | | | KDRX42HC7 | |
| KDRX43H | 1100 | 1056 | 2189 | CB | 18.50 x 18.25 x 12.50 | 450 | | | KDRX43HC7 | |
| KDRY41H | 1250 | 1200 | 2488 | CB | 20.00 x 21.00 x 16.00 | 475 | | | KDRY41HC7 | |
| KDRY42H | 1500 | 1440 | 2985 | CB | 20.00 x 21.00 x 16.00 | 575 | | | KDRY42HC7 | |

575/600 Volt High-Z

*For enclosed unit dimensions and added weight, please refer to the Reactor Enclosure Price page.

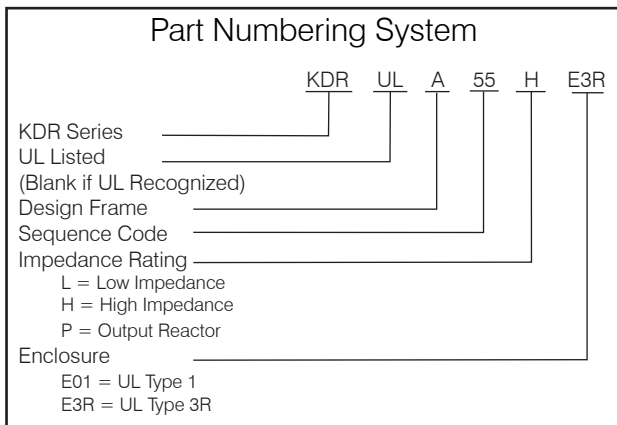


KDR Optimized Line Reactors

| Part Number | NEC Motor HP | Open | | UL Type 1 Enclosed | | UL Type 3R Enclosed | |
|-------------|--------------|--------|------------|--------------------|------------|---------------------|------------|
| | | Weight | List Price | Part Number * | List Price | Part Number * | List Price |
| KDRULA55H | 0.5 | 4 | | KDRULA55HE01 | | KDRULA55HE3R | |
| KDRULA52H | 0.75 | 4 | | KDRULA52HE01 | | KDRULA52HE3R | |
| KDRULA50H | 1 | 4 | | KDRULA50HE01 | | KDRULA50HE3R | |
| KDRULA51H | 1.5 | 4 | | KDRULA51HE01 | | KDRULA51HE3R | |
| KDRULA43H | 2 | 4 | | KDRULA43HE01 | | KDRULA43HE3R | |
| KDRULA44H | 3 | 4 | | KDRULA44HE01 | | KDRULA44HE3R | |
| KDRULA45H | 5 | 4 | | KDRULA45HE01 | | KDRULA45HE3R | |
| KDRULB42H | 7.5 | 8 | | KDRULB42HE01 | | KDRULB42HE3R | |
| KDRULB43H | 10 | 8 | | KDRULB43HE01 | | KDRULB43HE3R | |
| KDRULB44H | 15 | 8 | | KDRULB44HE01 | | KDRULB44HE3R | |
| KDRULD41H | 20 | 12 | | KDRULD41HE01 | | KDRULD41HE3R | |
| KDRULC43H | 25 | 15 | | KDRULC43HE01 | | KDRULC43HE3R | |
| KDRULE42H | 30 | 16 | | KDRULE42HE01 | | KDRULE42HE3R | |
| KDRULF44H | 40 | 30 | | KDRULF44HE01 | | KDRULF44HE3R | |
| KDRULF45H | 50 | 30 | | KDRULF45HE01 | | KDRULF45HE3R | |
| KDRULH43H | 60 | 45 | | KDRULH43HE01 | | KDRULH43HE3R | |
| KDRULH42H | 75 | 45 | | KDRULH42HE01 | | KDRULH42HE3R | |
| KDRULI41H | 100 | 53 | | KDRULI41HE01 | | KDRULI41HE3R | |
| KDRULG44H | 125 | 68 | | KDRULG44HE01 | | KDRULG44HE3R | |
| KDRULG45H | 150 | 71 | | KDRULG45HE01 | | KDRULG45HE3R | |
| KDRULJ41H | 200 | 76 | | KDRULJ41HE01 | | KDRULJ41HE3R | |
| KDRULL46H | 250 | 120 | | KDRULL46HE01 | | KDRULL46HE3R | |
| KDRULL47H | 300 | 120 | | KDRULL47HE01 | | KDRULL47HE3R | |
| KDRULL48H | 350 | 120 | | KDRULL48HE01 | | KDRULL48HE3R | |
| KDRULL49H | 400 | 120 | | KDRULL49HE01 | | KDRULL49HE3R | |
| KDRULS47H | 450 | 175 | | KDRULS47HE01 | | KDRULS47HE3R | |
| KDRULS46H | 500 | 175 | | KDRULS46HE01 | | KDRULS46HE3R | |
| KDRULS49H | 600 | 187 | | KDRULS49HE01 | | KDRULS49HE3R | |
| KDRULS48H | 700 | 215 | | KDRULS48HE01 | | KDRULS48HE3R | |
| KDRULX44H | 800 | 298 | | KDRULX44HE01 | | | |
| KDRULX41H | 900 | 308 | | KDRULX41HE01 | | | |
| KDRULX42H | 1000 | 393 | | KDRULX42HE01 | | | |
| KDRULX43H | 1100 | 468 | | KDRULX43HE01 | | | |
| KDRULY41H | 1250 | 505 | | KDRULY41HE01 | | | |
| KDRULY42H | 1500 | 600 | | KDRULY42HE01 | | | |

575/600 Volt High-Z

Consult Factory for Assistance



Revision B

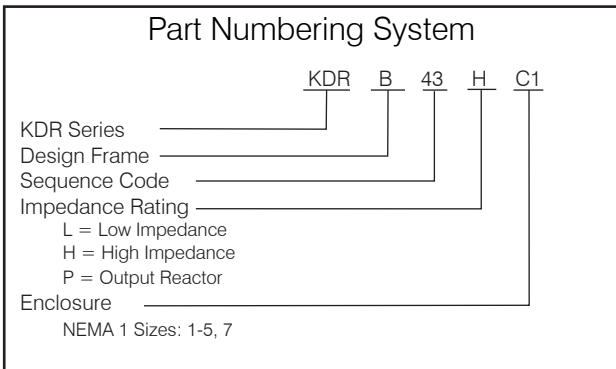
KDR Optimized Line Reactors

| Part Number | NEC | NEC Motor | Watts | Standard | Dimensions (in.) | | Open | | NEMA 1 Enclosed | |
|-------------|----------|-----------|-------|----------|------------------------|--|--------|------------|-----------------|------------|
| | Motor HP | Current | Loss | Terms | Height x Width x Depth | | Weight | List Price | Part Number * | List Price |
| KDRA55LV | 0.5 | 0.9 | 6 | QD | 4.00 x 4.18 x 3.75 | | 4 | | KDRA55LC1V | |
| KDRA56LV | 0.75 | 1.3 | 9.3 | QD | 4.00 x 4.18 x 3.75 | | 4 | | KDRA56LC1V | |
| KDRA50LV | 1 | 1.7 | 12 | QD | 4.00 x 4.18 x 3.75 | | 4 | | KDRA50LC1V | |
| KDRA51LV | 1.5 | 2.4 | 19 | QD | 4.00 x 4.18 x 3.75 | | 4 | | KDRA51LC1V | |
| KDRA46LV | 2 | 2.7 | 22 | QD | 4.00 x 4.18 x 3.75 | | 4 | | KDRA46LC1V | |
| KDRA52LV | 3 | 3.9 | 23.3 | QD | 4.00 x 4.18 x 3.75 | | 4 | | KDRA52LC1V | |
| KDRA47LV | 5 | 6.1 | 34.7 | QD | 4.00 x 4.18 x 3.75 | | 4 | | KDRA47LC1V | |
| KDRA48LV | 7.5 | 9 | 42.9 | QD | 4.00 x 4.18 x 3.75 | | 4 | | KDRA48LC1V | |
| KDRA49LV | 10 | 11 | 43.8 | QD | 4.00 x 4.18 x 3.75 | | 5 | | KDRA49LC1V | |
| KDRB45LV | 15 | 17 | 66.2 | RL | 5.00 x 6.00 x 4.50 | | 8 | | KDRB45LC2V | |
| KDRB44LV | 20 | 22 | 71.2 | RL | 5.00 x 6.00 x 4.50 | | 8 | | KDRB44LC2V | |
| KDRB43LV | 25 | 27 | 76.7 | RL | 5.00 x 6.00 x 4.50 | | 8 | | KDRB43LC2V | |
| KDRD42LV | 30 | 32 | 106 | RL | 5.75 x 7.20 x 4.50 | | 15 | | KDRD42LC2V | |
| KDRC43LV | 40 | 41 | 109 | RL | 5.75 x 7.20 x 5.00 | | 12 | | KDRC43LC2V | |
| KDRC44LV | 50 | 52 | 123 | RL | 5.75 x 7.20 x 5.00 | | 15 | | KDRC44LC2V | |
| KDRF46LV | 60 | 62 | 181 | RL | 7.00 x 9.00 x 6.00 | | 30 | | KDRF46LC3V | |
| KDRF47LV | 75 | 77 | 194 | RL | 7.00 x 9.00 x 6.00 | | 30 | | KDRF47LC3V | |
| KDRF45LV | 100 | 99 | 194 | CB | 7.00 x 9.00 x 6.00 | | 30 | | KDRF45LC4V | |
| KDRH43LV | 125 | 125 | 261 | CB | 8.50 x 11.00 x 6.25 | | 45 | | KDRH43LC4V | |
| KDRH44LV | 150 | 144 | 253 | CB | 8.50 x 11.00 x 6.25 | | 45 | | KDRH44LC4V | |
| KDRI42LV | 200 | 192 | 342 | CB | 9.00 x 11.00 x 7.00 | | 50 | | KDRI42LC4V | |
| KDRG47LV | 250 | 242 | 394 | CB | 9.00 x 11.00 x 8.00 | | 65 | | KDRG47LC4V | |
| KDRG45LV | 300 | 289 | 374 | CB | 9.00 x 11.00 x 8.00 | | 65 | | KDRG45LC4V | |
| KDRJ45LV | 350 | 336 | 474 | CB | 9.00 x 11.00 x 9.00 | | 70 | | KDRJ45LC5V | |
| KDRJ43LV | 400 | 382 | 463 | CB | 9.00 x 11.00 x 9.00 | | 70 | | KDRJ43LC5V | |
| KDRJ44LV | 450 | 412 | 473 | CB | 9.00 x 11.00 x 9.00 | | 70 | | KDRJ44LC5V | |
| KDRL45LV | 500 | 472 | 587 | CB | 11.38 x 15.00 x 11.00 | | 110 | | KDRL45LC5V | |
| KDRL42LV | 600 | 576 | 716 | CB | 11.38 x 15.00 x 11.00 | | 150 | | KDRL42LC5V | |
| KDRL43LV | 700 | 672 | 836 | CB | 11.38 x 15.00 x 11.00 | | 270 | | KDRL43LC5V | |
| KDRS41LV | 800 | 768 | 955 | CB | 11.38 x 15.00 x 11.00 | | 275 | | KDRS41LC7V | |
| KDRX41LV | 900 | 864 | 1075 | CB | 18.50 x 18.25 x 12.50 | | 280 | | KDRX41LC7V | |
| KDRX42LV | 1000 | 960 | 1194 | CB | 18.50 x 18.25 x 12.50 | | 290 | | KDRX42LC7V | |
| KDRX43LV | 1100 | 1056 | 1313 | CB | 18.50 x 18.25 x 12.50 | | 315 | | KDRX43LC7V | |
| KDRX44LV | 1250 | 1200 | 1493 | CB | 18.50 x 18.25 x 12.50 | | 325 | | KDRX44LC7V | |
| KDRY41LV | 1500 | 1440 | 1791 | CB | 20.00 x 21.00 x 16.00 | | 465 | | KDRY41LC7V | |

690 Volt Low-Z

*For enclosed unit dimensions and added weight, please refer to the Reactor Enclosure Price page.

**UL Listed available upon request.

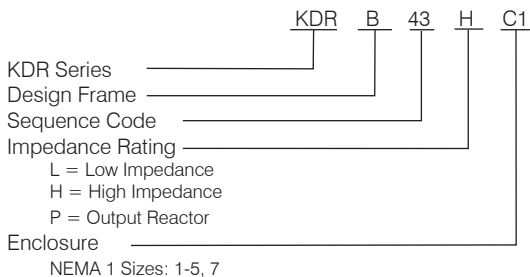


KDR Optimized Line Reactors

| Part Number | NEC | NEC Motor | Watts | Standard | Dimensions (in.) | | Open | | NEMA 1 Enclosed | |
|-------------|----------|-----------|-------|----------|------------------------|--------|------------|---------------|-----------------|--|
| | Motor HP | Current | Loss | Terms | Height x Width x Depth | Weight | List Price | Part Number * | List Price | |
| KDRA55HV | 0.5 | 0.9 | 9 | QD | 4.00 x 4.18 x 3.75 | 4 | | KDRA55HC1V | | |
| KDRA52HV | 0.75 | 1.3 | 13 | QD | 4.00 x 4.18 x 3.75 | 4 | | KDRA52HC1V | | |
| KDRA50HV | 1 | 1.7 | 17 | QD | 4.00 x 4.18 x 3.75 | 4 | | KDRA50HC1V | | |
| KDRA51HV | 1.5 | 2.4 | 26 | QD | 4.00 x 4.18 x 3.75 | 4 | | KDRA51HC1V | | |
| KDRA43HV | 2 | 2.7 | 24 | QD | 4.00 x 4.18 x 3.75 | 4 | | KDRA43HC1V | | |
| KDRA44HV | 3 | 3.9 | 35 | QD | 4.00 x 4.18 x 3.75 | 4 | | KDRA44HC1V | | |
| KDRA45HV | 5 | 6.1 | 48 | QD | 4.00 x 4.18 x 3.75 | 4 | | KDRA45HC1V | | |
| KDRB42HV | 7.5 | 9 | 61 | QD | 5.00 x 6.00 x 4.00 | 8 | | KDRB42HC2V | | |
| KDRB43HV | 10 | 11 | 71 | QD | 5.00 x 6.00 x 4.00 | 8 | | KDRB43HC2V | | |
| KDRB44HV | 15 | 17 | 73 | RL | 5.00 x 6.00 x 4.50 | 8 | | KDRB44HC2V | | |
| KDRD41HV | 20 | 22 | 106 | RL | 5.75 x 7.20 x 4.50 | 12 | | KDRD41HC2V | | |
| KDRC43HV | 25 | 27 | 107 | RL | 5.75 x 7.20 x 5.00 | 15 | | KDRC43HC2V | | |
| KDRE42HV | 30 | 32 | 140 | RL | 5.75 x 7.20 x 5.12 | 16 | | KDRE42HC3V | | |
| KDRF44HV | 40 | 41 | 172 | RL | 7.00 x 9.00 x 6.00 | 30 | | KDRF44HC3V | | |
| KDRF45HV | 50 | 52 | 166 | RL | 7.00 x 9.00 x 6.00 | 30 | | KDRF45HC3V | | |
| KDRH43HV | 60 | 62 | 205 | RL | 8.50 x 11.00 x 6.50 | 45 | | KDRH43HC4V | | |
| KDRH42HV | 75 | 77 | 251 | RL | 8.50 x 11.00 x 6.50 | 45 | | KDRH42HC4V | | |
| KDRI41HV | 100 | 99 | 268 | CB | 9.00 x 11.00 x 7.00 | 50 | | KDRI41HC4V | | |
| KDRG44HV | 125 | 125 | 381 | CB | 9.00 x 11.00 x 7.50 | 65 | | KDRG44HC4V | | |
| KDRG45HV | 150 | 144 | 406 | CB | 9.00 x 11.00 x 8.00 | 65 | | KDRG45HC4V | | |
| KDRJ41HV | 200 | 192 | 466 | CB | 9.00 x 11.00 x 9.00 | 70 | | KDRJ41HC5V | | |
| KDRL46HV | 250 | 242 | 472 | CB | 11.38 x 15.00 x 11.00 | 110 | | KDRL46HC5V | | |
| KDRL47HV | 300 | 289 | 490 | CB | 11.38 x 15.00 x 11.00 | 110 | | KDRL47HC5V | | |
| KDRL48HV | 350 | 336 | 539 | CB | 11.38 x 15.00 x 11.00 | 110 | | KDRL48HC5V | | |
| KDRL49HV | 400 | 382 | 603 | CB | 11.38 x 15.00 x 11.00 | 110 | | KDRL49HC5V | | |
| KDRS47HV | 450 | 412 | 521 | CB | 11.38 x 15.00 x 13.00 | 165 | | KDRS47HC5V | | |
| KDRS46HV | 500 | 472 | 661 | CB | 11.38 x 15.00 x 13.00 | 165 | | KDRS46HC5V | | |
| KDRS49HV | 600 | 576 | 1194 | CB | 11.38 x 15.00 x 13.00 | 175 | | KDRS49HC5V | | |
| KDRS48HV | 700 | 672 | 1393 | CB | 11.38 x 15.00 x 13.00 | 200 | | KDRS48HC5V | | |
| KDRX44HV | 800 | 768 | 1592 | CB | 18.50 x 18.25 x 12.50 | 280 | | KDRX44HC7V | | |
| KDRX41HV | 900 | 864 | 1791 | CB | 18.50 x 18.25 x 12.50 | 290 | | KDRX41HC7V | | |
| KDRX42HV | 1000 | 960 | 1990 | CB | 18.50 x 18.25 x 12.50 | 375 | | KDRX42HC7V | | |
| KDRX43HV | 1100 | 1056 | 2189 | CB | 18.50 x 18.25 x 12.50 | 450 | | KDRX43HC7V | | |
| KDRY41HV | 1250 | 1200 | 2488 | CB | 20.00 x 21.00 x 16.00 | 475 | | KDRY41HC7V | | |
| KDRY42HV | 1500 | 1440 | 2985 | CB | 20.00 x 21.00 x 16.00 | 575 | | KDRY42HC7V | | |

690 Volt High-Z

Part Numbering System



Revision B