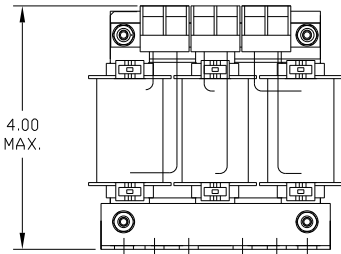
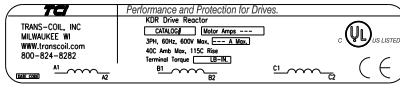


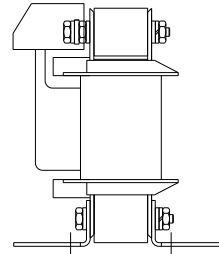
TCI OPEN UL PART NUMBER	VOLTAGE	NEC MOTOR HP	NEC MOTOR CURRENT	WATTS LOSS	APPROX. WEIGHT-LBS	TORQUE (LB-IN)
KDRULA9H	480	1.5	3.0	23	4	10



NOTE: A1, A2, B1, B2, C1, C2, MARKINGS ON TERMINAL BLOCK FOR REFERENCE ONLY.

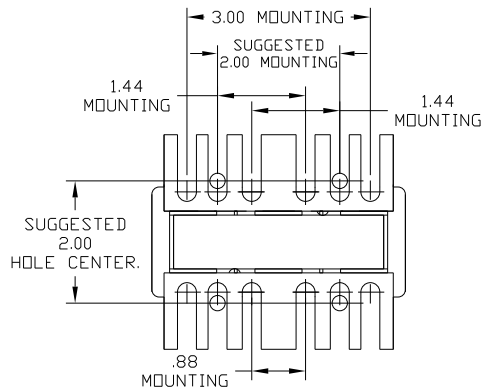



BLOCK WIRE RANGE #12-#18 AWG
FOR REACTOR AND
TIGHTENING TORQUE. 10 LB-IN



NOTE 1: WATTS LOSS WILL VARY DUE TO FUNDAMENTAL FREQUENCY, CARRIER FREQUENCY AND OTHER SYSTEM CHARACTERISTICS. KDR DRIVE REACTORS COMPLY WITH THE THERMAL AND ALTITUDE STANDARDS SET FORTH BY NEMA ST20-1992..

NEC MOTOR CURRENTS SHOWN IN THE 208/240 VOLT CHART ARE BASED ON HORSEPOWER AT 208 VOLT. 575/600 VOLT CHART USE THE 575 VOLT CURRENT RATING.



NO	REVISION	DATE	BY	TOLERANCES (EXCEPT AS NOTED)	 7878 N. 86th STREET MILWAUKEE, WI 53224 KDR Optimized Drive Reactor 1.5 HP, 480V, 3.0 Amps.	DRN. BY	DATE	DWG. NO.
				DECIMAL		DSW	11/22/11	B
				.XX ± .03		SCALE	TO FIT	APPRVD.
				.XXX ± .01				
				FRACTIONAL				
				± 1/32				
				ANGULAR				
				± 1/2°				