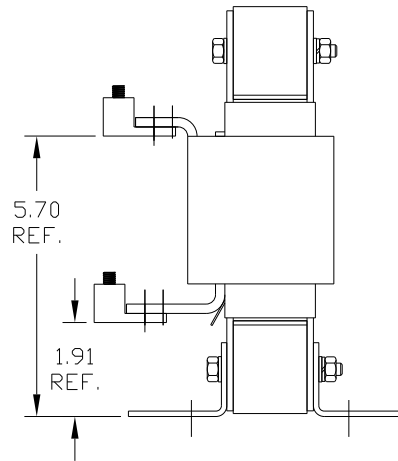
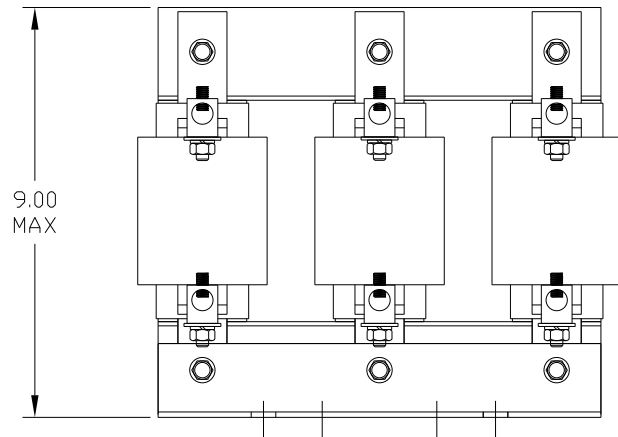
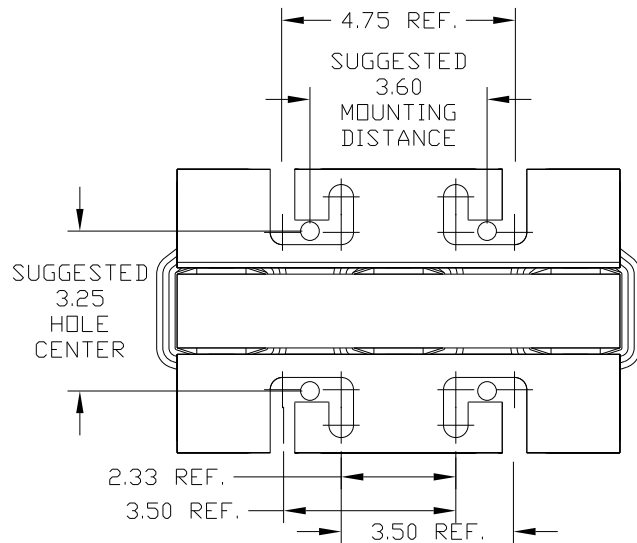


CATALOG NO	VOLTAGE	NEC MOTOR HP	NEC MOTOR CURRENT	WATTS LOSS	APPROX. WEIGHT-LBS
KDRULH2H	480	75	96	212	53



LUG WIRE RANGE 2/0-6, AL OR CU.
FOR REACTOR.
TIGHTENING TORQUE. 120 LB-IN



TCI TRANS-COIL, INC MILWAUKEE WI WWW.transcoil.com 800-824-8282	Performance and Protection for Drives. KDR Drive Reactor CATALOG# [] Motor Amps [] 3PH, 60Hz, 600V Max, [] A Max. 40C Amb Max, 115C Rise Terminal Torque [] LB-IN.		

				TCI 7878 N. 86th STREET MILWAUKEE, WI 53224	
				KDR Optimized Drive Reactor 75HP, 480V, 96 Amps.	
TOLERANCES (EXCEPT AS NOTED) DECIMAL XX ±.03 XXX ±.01 FRACTIONAL ± 1/32 ANGULAR ± 1/2°		DRN. BY DSW SCALE TO FIT	DATE 1/20/2012 APRVD	DWG. NO. B KDRULH2HDG SHT. 1 OF 1	
NO	REVISION	DATE	BY		