

GUY STRAIN INSULATOR

CAT. NO. VI 4606

ANSI CLASS NO. 54-3

16

- 1 ENG. MGR
- 2 ENG
- PURCH.
- 1 MKTG.
- PLT. MGR.
- COST
- PROD.
- INSP
- GLAZE
- BUSHING
- MAKING
- SHIP
- ASSEM
- MODEL
- MACH.
- 45
- TOOLING
- CER LAB
- 1 EL LAB
- Q. A.

DIMENSIONS

LEAKAGE DISTANCE IN 2.25
 MAXIMUM CABLE DIA. IN .62

MECHANICAL VALUES

TENSILE STRENGTH LB 20,000

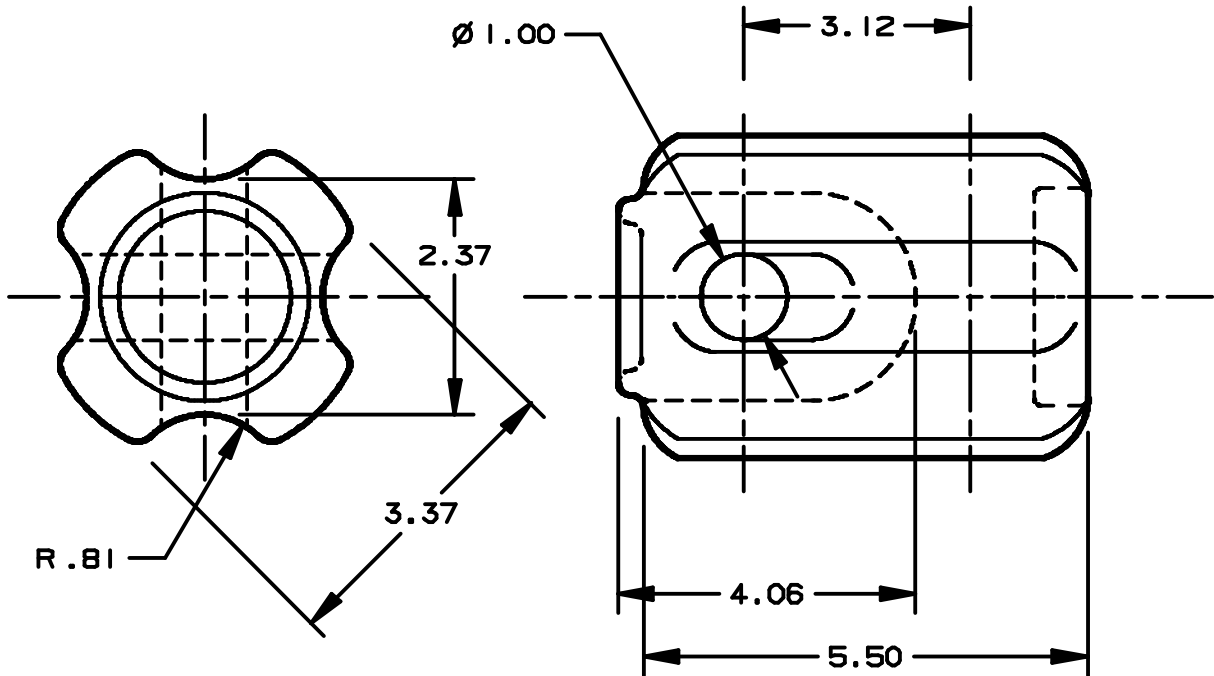
ELECTRICAL VALUES

60 HERTZ FLASHOVER-DRY kV 35
 60 HERTZ FLASHOVER-WET kV 18

PACKING INFORMATION

NET WEIGHT PER 100 LB 271
 PACKED WEIGHT PER 100 LB 287
 NO. IN STANDARD PACKAGE 20

THIS DRAWING IS THE PROPERTY OF
 VICTOR INSULATORS, INC. AND CONTAINS
 PROPRIETARY AND CONFIDENTIAL INFORMATION
 WHICH MUST NOT BE DUPLICATED, USED,
 OR DISCLOSED, OTHER THAN AS EXPRESSLY
 AUTHORIZED BY VICTOR INSULATORS, INC.



FILE: VI 4606

VI INSULATORS
 VICTOR INSULATORS, INC.
 280 MAPLE AVENUE
 VICTOR, NEW YORK 14564
 TELEPHONE: (716)924-2127

VI 4606

3-18-02

TM PPAS